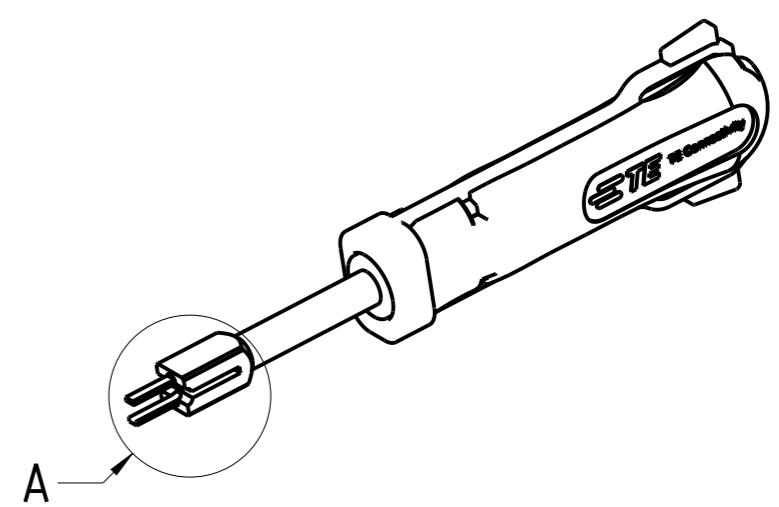
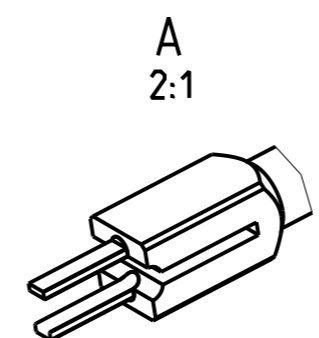
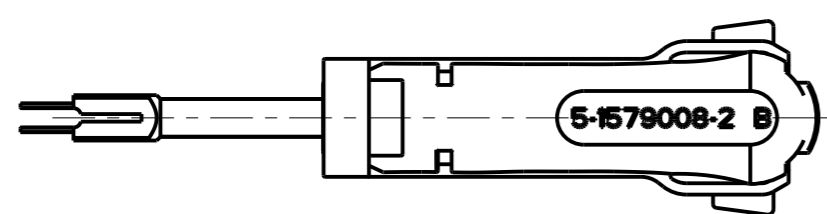
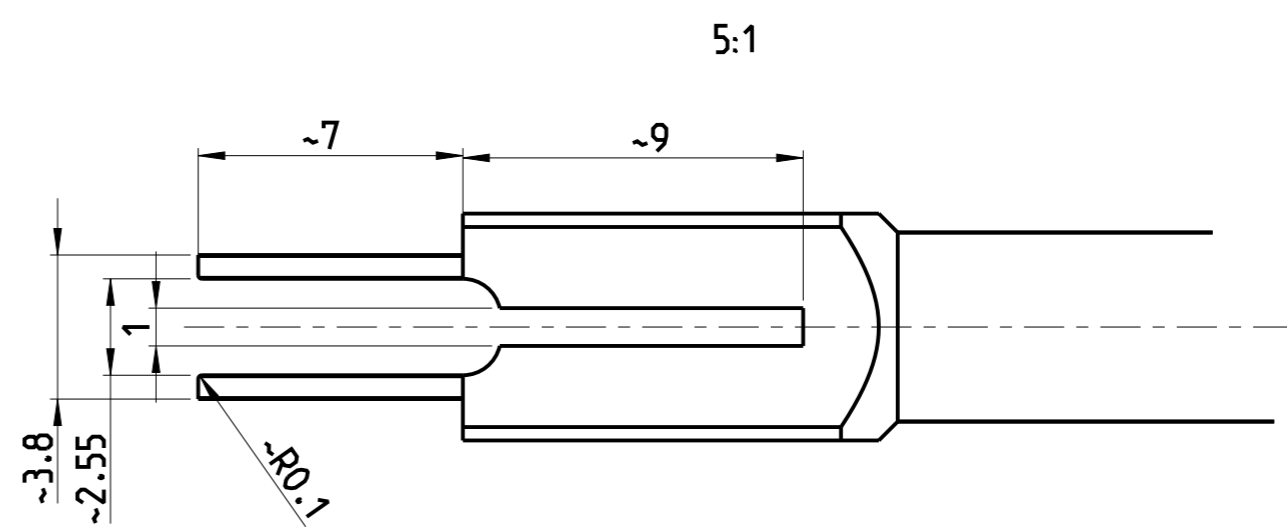
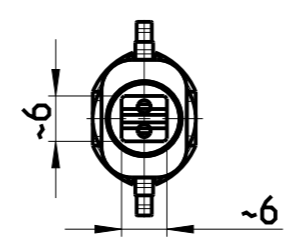
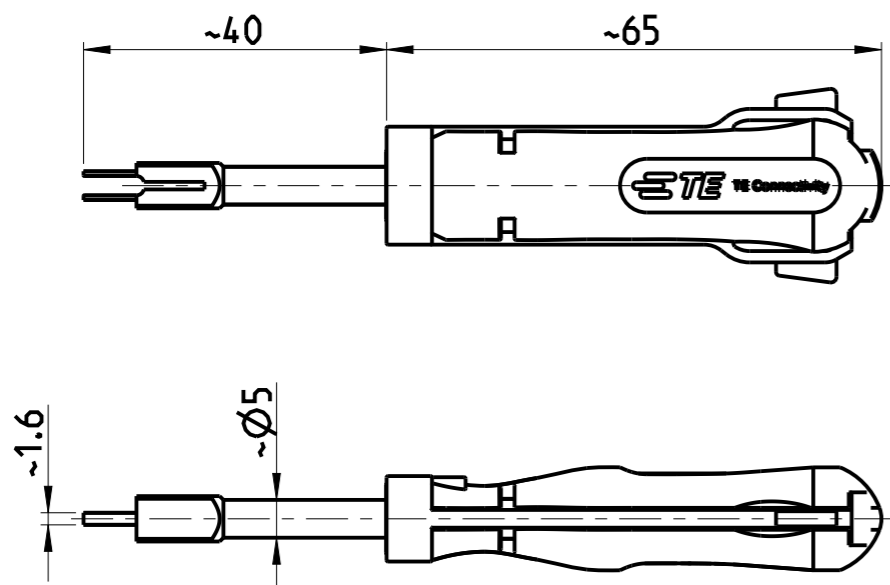


© 2021 TE Connectivity. All Rights Reserved.

REVISIONS

P	LTR	DESCRIPTION	DATE	DWN	APVD
B1		ECR-17-004807	04APR2017	KH	BM
B2		ECR-21-001695	09FEB2021	PNT	GS



APPLICATION RANGE / Anwendungsbereich:

FOR HOUSING: 1719334-1
FOR CONTACT MCON 2.8: 1719840-1

THIS DRAWING IS A CONTROLLED DOCUMENT.		DWN S. Samstag 13AUG2009		TE Connectivity	
DIMENSIONS: mm		CHK G. Stegmayer 13AUG2009			
TOLERANCES UNLESS OTHERWISE SPECIFIED:		APVD G. Stegmayer 13AUG2009		NAME EXTRACTION TOOL Entriegelungswerkzeug	
<ul style="list-style-type: none"> 0 PLC ± 1 PLC ± 2 PLC ± 3 PLC ± 4 PLC ± ANGLES ± 		PRODUCT SPEC		RESTRICTED TO	
MATERIAL		FINISH		APPLICATION SPEC	
		WEIGHT 0.017kg		SIZE A3	CAGE CODE 00779
		CUSTOMER DRAWING		DRAWING NO C-5-1579008-2	
		SCALE 1:1		SHEET 1 OF 1	REV B2