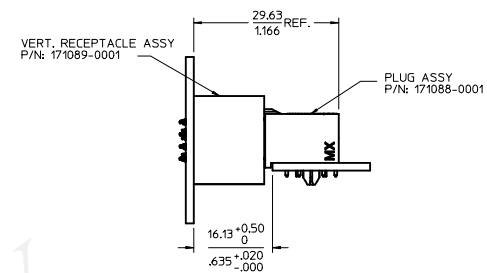
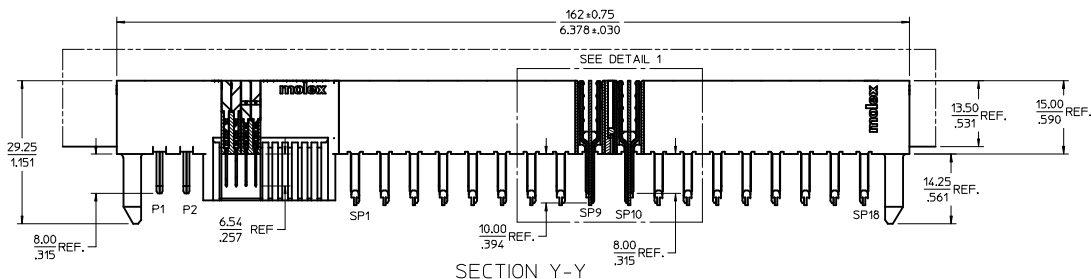
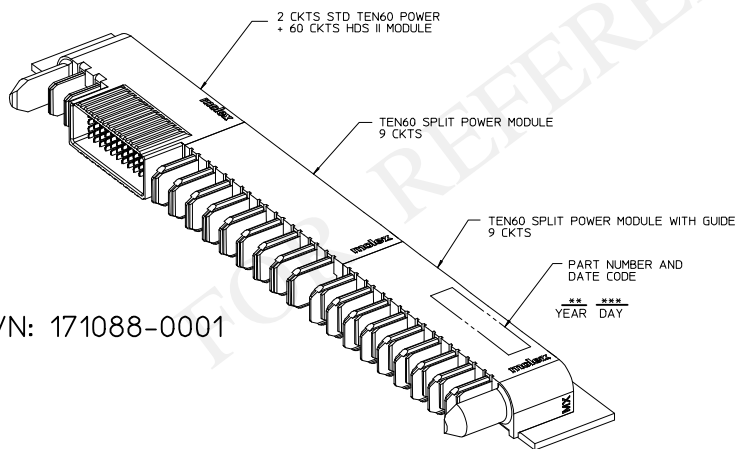
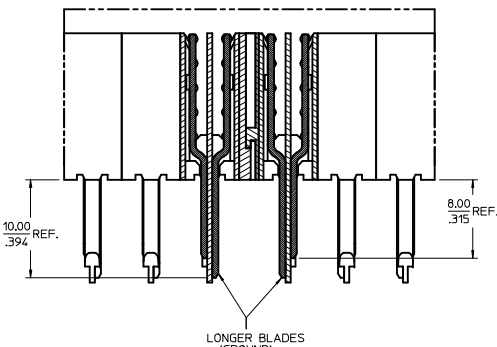
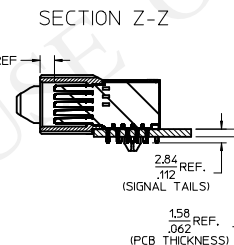
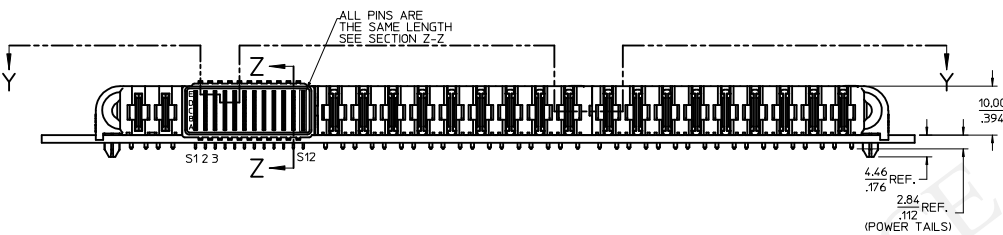


3D MODEL NO: TM-171088-0001



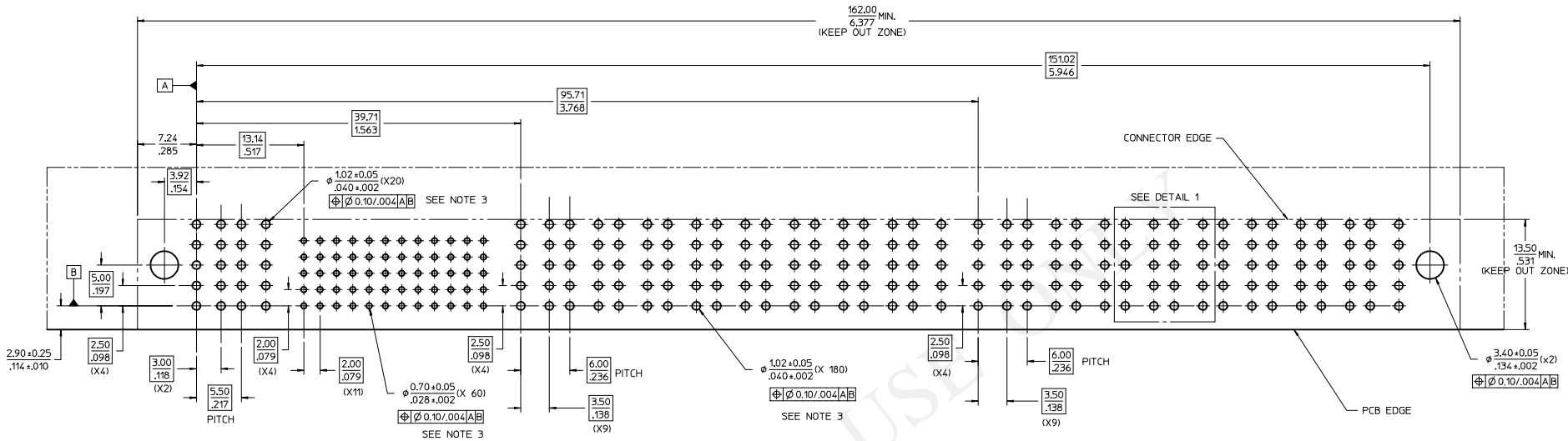
DETAIL 1
SCALE 4:1



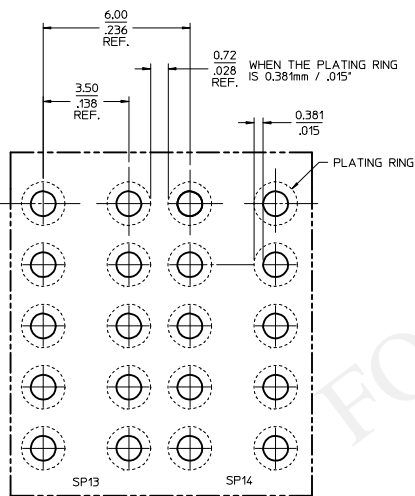
P/N: 171088-0001

- NOTES:
- MATERIAL:
 - HOUSINGS: LCP UL94, V-0, COLOR : BLACK
 - TERMINALS: HIGH CONDUCTIVITY COPPER ALLOY
 - PLATING: 127 MICROMETER (50 MICROINCH) NICKEL OVERALL WITH 2.54 MICROMETER (100 MICROINCH) SELECTIVE TIN ON TAILS AND 0.762 MICROMETER (30 MICROINCH) SELECTIVE GOLD ON CONTACT AREA
 - PACKAGING: ASSEMBLIES TO BE TRAY PACKED PER PACKAGING SPEC: TBD
 - PLATED THRU HOLE SIZE REFERS TO PS-171088-0000 FOR DETAILS
 - PRODUCT SPEC: PS-171088-0000
 - APPLICATION SPEC: AS-46436-100
 - PRODUCT TO MEET ROHS REQUIREMENTS
 - ASSEMBLY MATES TO MOLEX RECEPTACLE ASSEMBLY P/N 171089-0001
 - TAIL DESIGN: SOLDER TAIL
 - SIGNAL CONTACTS ARE LUBRICATED.

ENTER DESCRIPTION IEC NO. UCP2013-1517 DRAWN/VLIN 2012/10/10 CHKD: APPR:VLIN 2012/10/17 REY	QUALITY SYMBOLS	GENERAL TOLERANCES (UNLESS SPECIFIED)	DIMENSION STYLE	SCALE	DESIGN UNITS	THIRD ANGLE PROJECTION
	▽=0	mm INCH	MM/IN	2:1	METRIC	☉
	▽=0	4 PLACES ± --- ± ---	DRAWN BY DATE	VLIN 2011/05/18	TITLE	
	▽=0	3 PLACES ± --- ± .010	CHECKED BY DATE		TEN60 SPLIT POWER PLUG ASSY	
		2 PLACES ± 0.25 ± ---	APPROVED BY DATE	VLIN 2012/10/10	MOLEX INCORPORATED	
		1 PLACE ± 0.25 ± ---	ANGULAR ±1/2°		MATERIAL NO. 171088-0001	
DRAFT WHERE APPLICABLE MUST REMAIN WITHIN DIMENSIONS		SIZE D		DOCUMENT NO. SD-171088-0001		SHEET NO. 1 OF 3



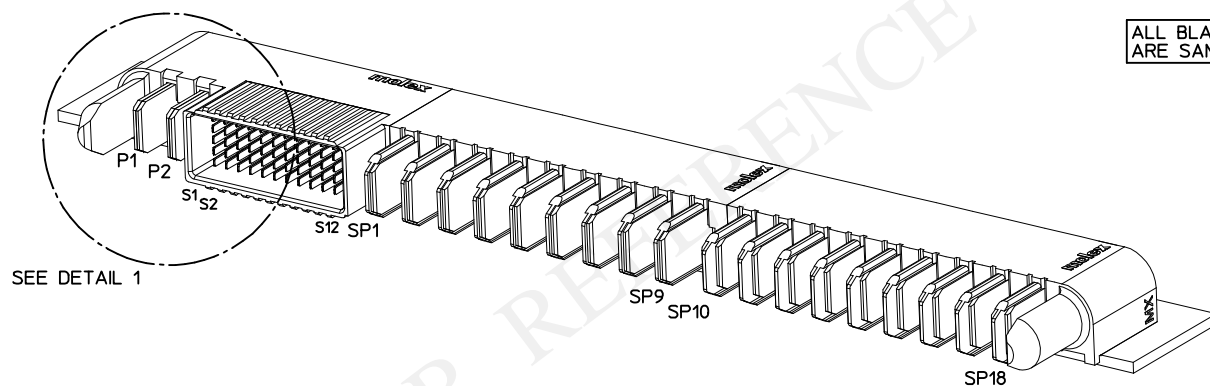
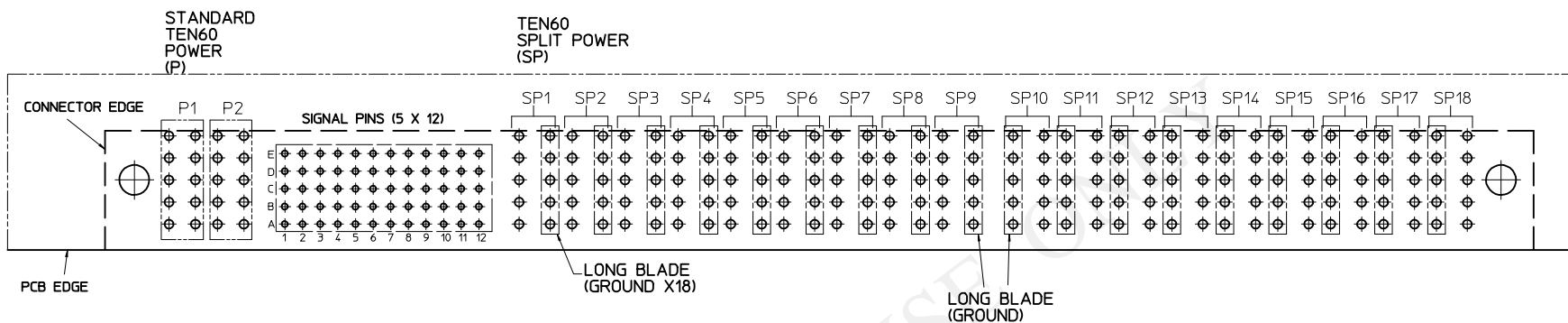
RECOMMENDED PCB LAYOUT AND KEEP OUT ZONE
(SEE SHEET 3 FOR PIN ASSIGNMENT)



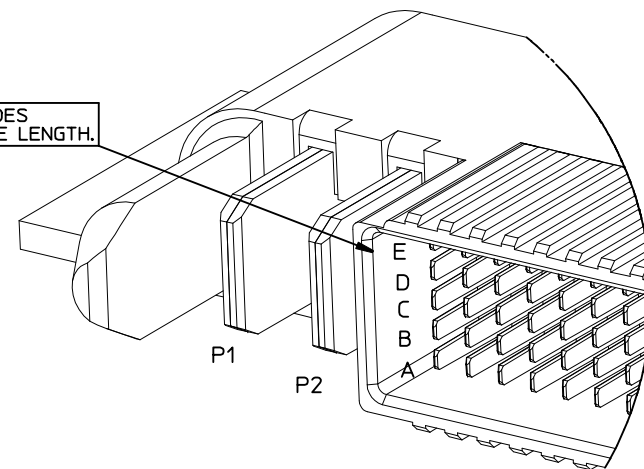
DETAIL 1
SCALE 10:1

ENTER DESCRIPTION IEC NO. UFP2013-1517 DRAWN/LIN CHKD: APPR:VLIN REV:	QUALITY SYMBOLS	GENERAL TOLERANCES (UNLESS SPECIFIED)	DIMENSION STYLE	SCALE	DESIGN UNITS	THIRD ANGLE PROJECTION	
	∇=0 ∇=0 ∇=0	mm INCH 4 PLACES ± --- ± --- 3 PLACES ± --- ± .010 2 PLACES ± 0.25 ± --- 1 PLACE ± 0.25 ± --- ANGULAR ±1/2°	MM/IN	4:1	METRIC	DRAWN BY DATE VLIN 2011/05/18 CHECKED BY DATE APPROVED BY DATE VLIN 2012/10/10	TITLE TEN60 SPLIT POWER PLUG ASSY G-2P-60S-9SP-9SP-G MOLEX INCORPORATED
	DRAFT WHERE APPLICABLE MUST REMAIN WITHIN DIMENSIONS	MATERIAL NO. 171088-0001	DOCUMENT NO. SD-171088-0001	SHEET NO. 2 OF 3		THIS DRAWING CONTAINS INFORMATION THAT IS PROPRIETARY TO MOLEX INCORPORATED AND SHOULD NOT BE USED WITHOUT WRITTEN PERMISSION	
	SIZE D						

PCB PIN ASSIGNMENT



ALL BLADES ARE SAME LENGTH.



DETAIL 1
SCALE 8:1

ENTER DESCRIPTION IEC NO. UCP2013-1517 DRAWN BY: [Signature] CHKD: [Signature] APPR: VLN DATE: 2012/10/17	QUALITY SYMBOLS ∇=0 ∇=0 ∇=0	GENERAL TOLERANCES (UNLESS SPECIFIED)		DIMENSION STYLE MM/IN	SCALE 4:1	DESIGN UNITS METRIC	THIRD ANGLE PROJECTION		
		4 PLACES ± --- ± --- 3 PLACES ± --- ± .010 2 PLACES ± 0.25 ± --- 1 PLACE ± 0.25 ± ---	INCH --- --- --- ---	DRAWN BY VLN	DATE 2011/05/18	TITLE TEN60 SPLIT POWER PLUG ASSY G-2P-60S-9SP-9SP-G			
		ANGULAR ±1/2°		CHECKED BY VLN	DATE 2012/10/10	MOLEX INCORPORATED			
		DRAFT WHERE APPLICABLE MUST REMAIN WITHIN DIMENSIONS		MATERIAL NO. SEE SHEET 1	DATE 2012/10/10	DOCUMENT NO. SD-171088-0001	SHEET NO. 3 OF 3		

THIS DRAWING CONTAINS INFORMATION THAT IS PROPRIETARY TO MOLEX INCORPORATED AND SHOULD NOT BE USED WITHOUT WRITTEN PERMISSION