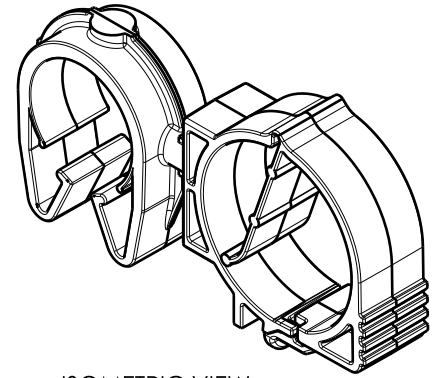
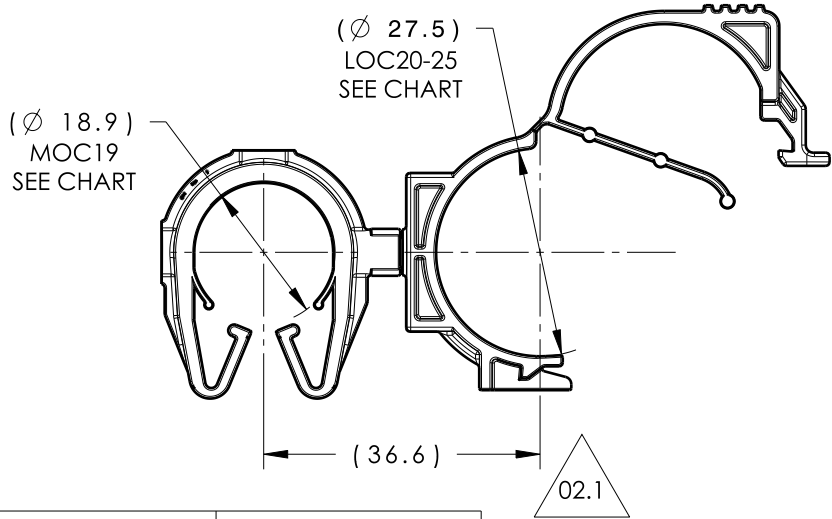
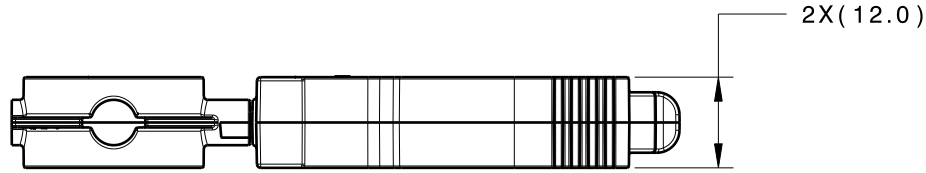
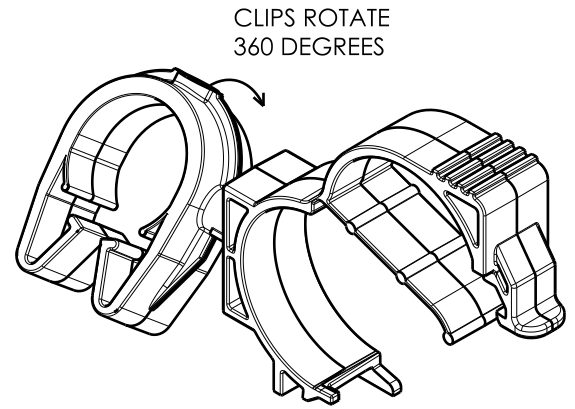


Revision Level			Revision Record	Changed	Date	Approved	Date
Drawing	State	Part					
02.1	Design Release	-	SEE ECN# 140926	EJH	2/19/19	TAT	2/20/19



ISOMETRIC VIEW CLOSED



ISOMETRIC VIEW OPEN

TYPE	MOC19F
HARNESS	17.0MM-20.0MM
HOSE	17.0MM-20.0MM
HARD PIPE/TUBE	19.0MM-21.8MM

\*RECOMMENDED SIZES MAY DIFFER DEPENDING ON THE APPLICATION, PRODUCT REQUIREMENTS AND MATERIALS USED

\*\*PATENT PENDING 29/582,271



GLOBAL PART DESCRIPTION	MOC19**			LOC20-25		
	DRAWING	MATERIAL	COLOR	DRAWING	MATERIAL	COLOR
MOC19LOC20-25-PA66HIRHSUV-BK	16-0322-000-CSU	PA66HIRHSUV	BLACK	12-0631-051-CSU	PA66HIRHSUV	BLACK

Material SEE CHART COLOR: SEE CHART	Units	millimeters	The copyright of this drawing is reserved by HellermannTyton. It is issued on condition that it is not reproduced, copied or disclosed to a third party, either wholly or in part, without the consent of HellermannTyton.	Drawn	TAT	5/15/17	Article/Type-No	MOC19LOC20-25		Scale	1:1		
	Tolerance defined on each dimension	Approved		TAT	5/15/17	Title		19MM MOC COUPLED TO 20-25MM LOC		Project Number	16-0327		
		<b>HellermannTyton</b> North America Email: corp@htamericas.com Web: www.hellermann.tyton.com						Drawing-No	PRODUCTION : Phase	Format	AH		
									<b>16-0327-194-CSU</b>		Sheet	1/1	