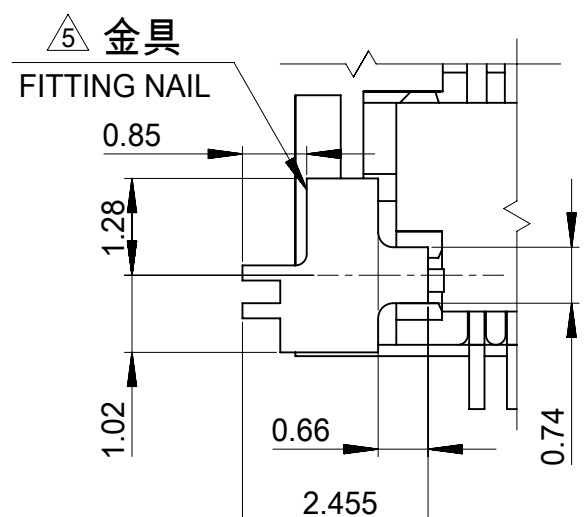
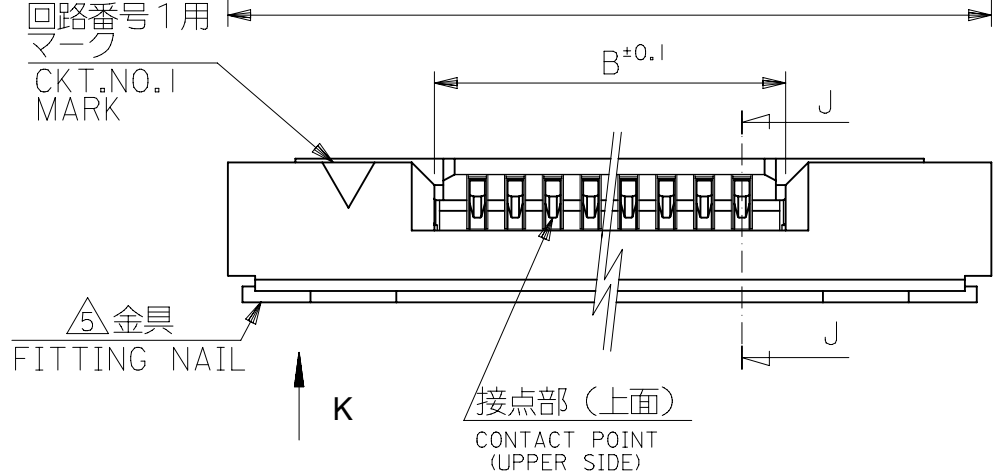
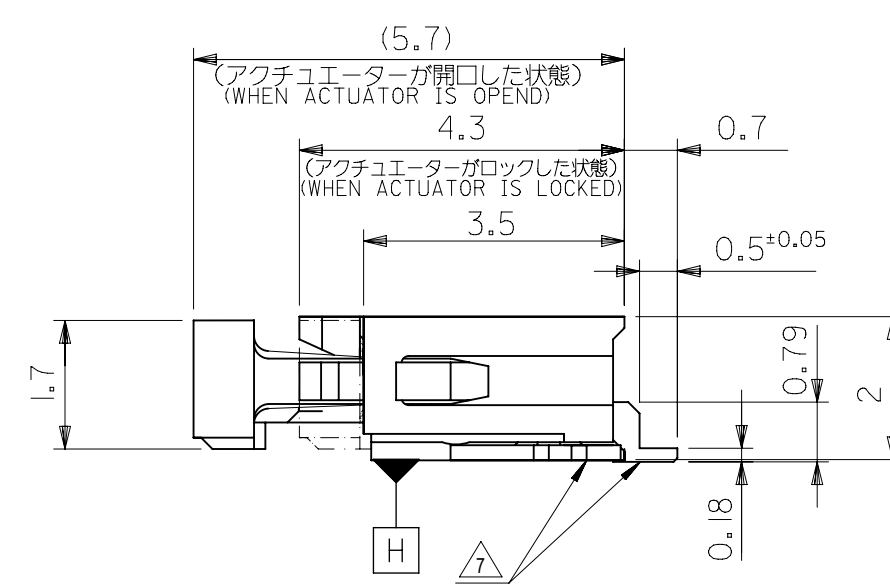


接点部 (上面)
CONTACT POINT
(UPPER SIDE)

SECT. J-J
(テール半田付け部長さ)
(DIM. OF SOLDER TAIL
SOLDERING AREA)



VIEW K
(金具部投影図)
(DETAIL OF FITTING NAIL)

- 注記NOTES
1. 使用材料
MATERIAL
ハウジング: ポリアミド(PA)、ガラス充填、UL94V-0、ナチュラル(白)
HOUSING: POLYAMIDE, GLASS FILLED, UL94V-0, NATURAL (WHITE)
アクチュエータ: ポリフェニレンサルファイド (PPS)、ガラス充填、UL94V-0、黒
ACTUATOR: POLYPHENYLENE SULFIDE, GLASS FILLED, UL94V-0, BLACK
ターミナル: リン青銅、(t=0.2)
TERMINAL: PHOSPHOR BRONZE
金具: リン青銅、(t=0.2)
FITTING NAIL: PHOSPHOR BRONZE
 2. めっき仕様
PLATING
ターミナル TERMINAL
錫銀ビスマスめっき (1.0μm以上)
下地: ニッケルめっき (1.0μm以上)
TIN SILVER BISMUTH PLATING (1.0 MICROMETER MINIMUM)
UNDER PLATE: NICKEL PLATING (1.0 MICROMETER MINIMUM)
金具 FITTING NAIL
錫めっき (1.0μm以上)
下地: ニッケルめっき (1.0μm以上)
TIN PLATING (1.0 MICROMETER MINIMUM)
UNDER PLATE: NICKEL PLATING (1.0 MICROMETER MINIMUM)
 3. エンボステープ梱包時は、アクチュエータがロックした状態になります。
IN THE PACKAGE, ACTUATOR SHOULD BE LOCKED.
 4. 偶数極に適用
APPLY FOR EVEN CIRCUIT.
 5. 剥離防止めっき
FITTING NAIL FOR PREVENTION OF PEELING OF P.W.B. PATTERN.
 6. R0.3は、FPCの導体部にかからないこと
R0.3 MUST NOT BE OVERLAPED TO PATTERN OF FPC.
 7. ソルダータール方向のズレ量、及び金具半田付け面のずれ量は、基準面 に対して上方向0.1 MAX、下方向0.15 MAXとする。
MISALIGNMENT OF SOLDER TAILS AND FITTING NAILS FROM UPPER DIRECTION 0.1 MAX., LOWER DIRECTION 0.15 MAX.
 8. ELV及びRoHS適合品
ELV AND RoHS COMPLIANT.

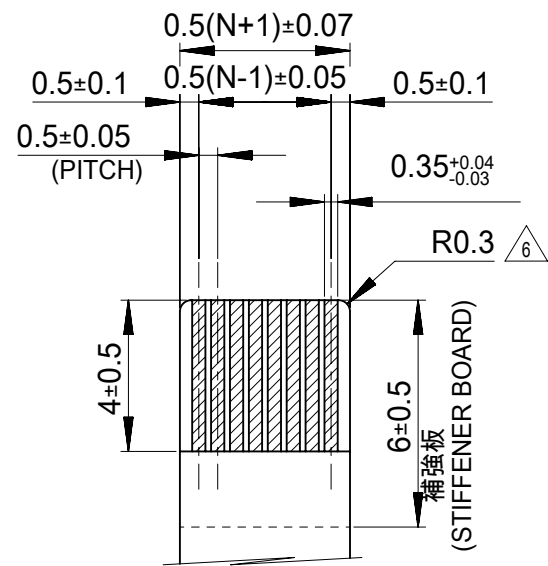
16.1	14.3	10.65	9.5	52745-2033	20
15.1	13.3	9.65	8.5	52745-1833	18
14.6	12.8	9.15	8	52745-1733	17
14.1	12.3	8.65	7.5	52745-1633	16
13.6	11.8	8.15	7	52745-1533	15
13.1	11.3	7.65	6.5	52745-1433	14
12.6	10.8	7.15	6	52745-1333	13
12.1	10.3	6.65	5.5	52745-1233	12
11.6	9.8	6.15	5	52745-1133	11
11.1	9.3	5.65	4.5	52745-1033	10
10.6	8.8	5.15	4	52745-0933	9
10.1	8.3	4.65	3.5	52745-0833	8
9.6	7.8	4.15	3	52745-0733	7
9.1	7.3	3.65	2.5	52745-0633	6
8.1	6.3	2.65	1.5	52745-0433	4
D	C	B	(A)	EMBOSSED PACKAGE	極数
				ORDER No. オーダー番号	CKT.

CONNECTOR SERIES NO. : 52745-**22

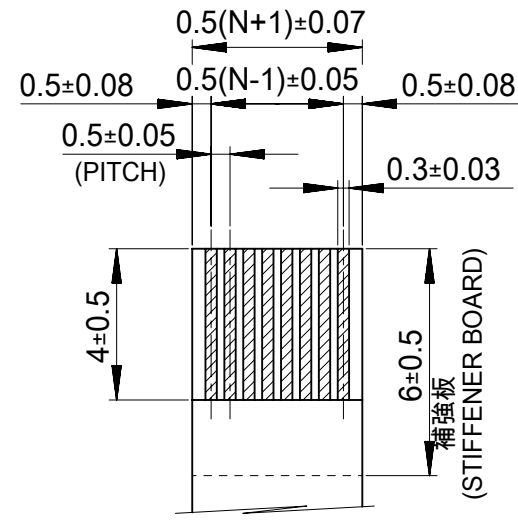
GENERAL TOLERANCES (UNLESS SPECIFIED)	
10 UNDER	± 0.2
10 OVER 30 UNDER	± 0.25
30 OVER	± 0.3
ANGULAR ± 3°	
DRAFT WHERE APPLICABLE MUST REMAIN WITHIN DIMENSIONS	

THIS DRAWING CONTAINS INFORMATION THAT IS PROPRIETARY TO MOLEX ELECTRONIC TECHNOLOGIES, LLC AND SHOULD NOT BE USED WITHOUT WRITTEN PERMISSION

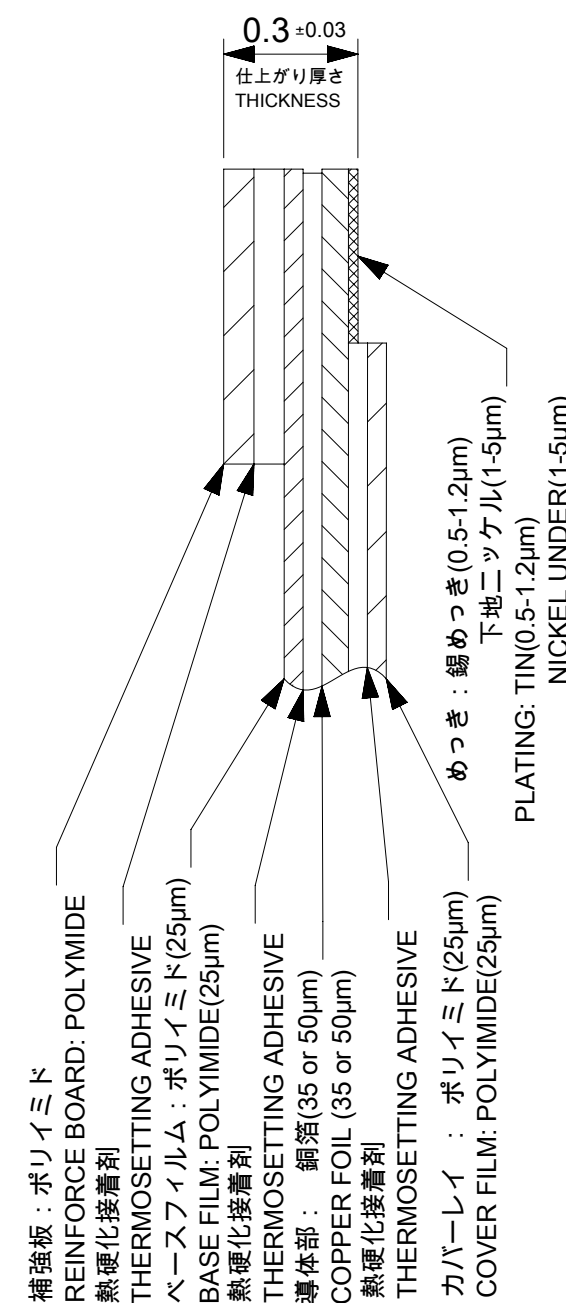
DIMENSION UNITS	SCALE	CURRENT REV DESC: REMOVED OBSOLETE PART NUMBER AS PER PCN#512672.	molex		
mm	10:1				
GENERAL TOLERANCES (UNLESS SPECIFIED)			0.5MM FPC CONN ZIF R/A HOUSING ASSY (UPPER CONTACT)		
ANGULAR TOL ± 30°			PRODUCT CUSTOMER DRAWING		
4 PLACES ± 0.2			DOCUMENT NUMBER		
3 PLACES ± 0.25			DOC TYPE DOC PART REVISION		
2 PLACES ± 0.3			SD-52745-055 PSD 001 B1		
1 PLACE ±			MATERIAL NUMBER		
0 PLACES ±			CUSTOMER		
DRAFT WHERE APPLICABLE MUST REMAIN WITHIN DIMENSIONS			SERIES		
THIRD ANGLE PROJECTION			DRAWING		
A3-SIZE			SERIES		
52745			MATERIAL NUMBER		
SEE CHART			CUSTOMER		
GENERAL MARKET			SHEET NUMBER		
1 OF 2					



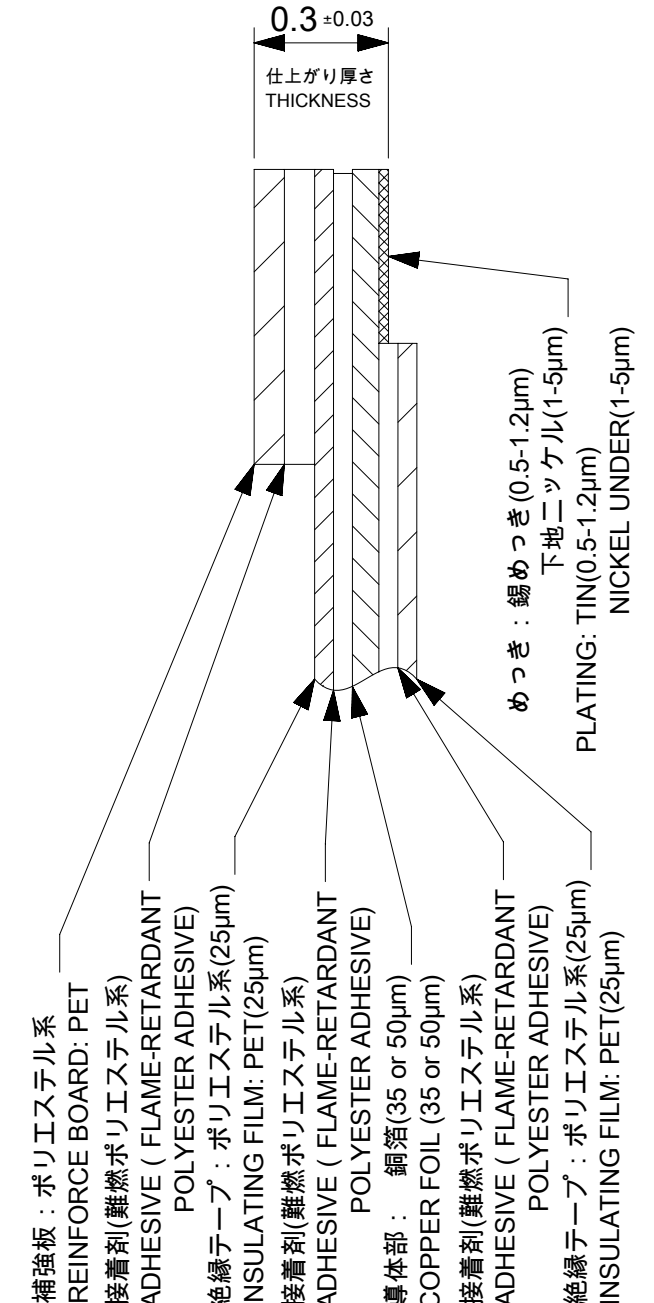
適合FPC推奨寸法
 APPLICABLE FPC
 PLATING RECOMMENDED DIMENSION
 仕上がり厚さ: 0.3±0.03
 THICKNESS: 0.3+0.03/-0.03



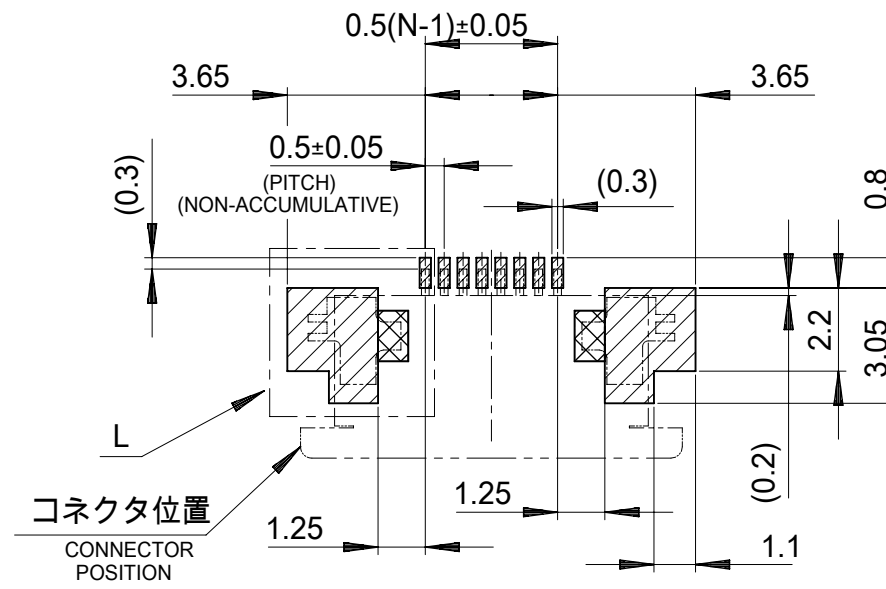
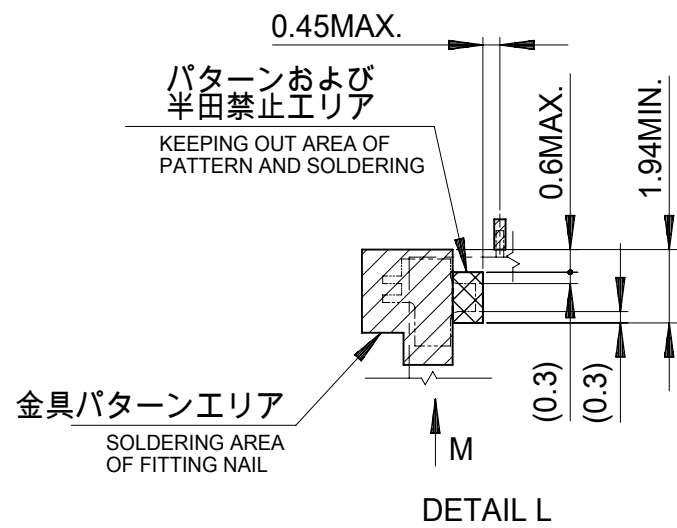
適合FFC推奨寸法
 APPLICABLE FFC
 PLATING RECOMMENDED DIMENSION
 仕上がり厚さ: 0.3±0.03
 THICKNESS: 0.3+0.03/-0.03



FPC構成推奨仕様
 RECOMMENDED STRUCTURE OF FPC

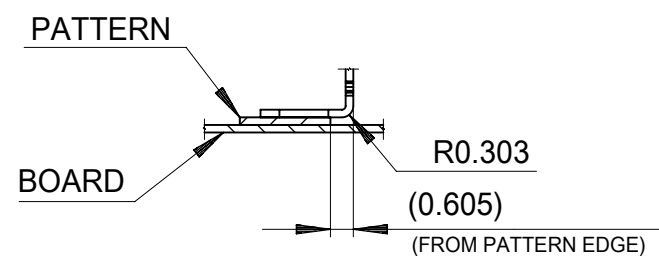


FFC構成推奨仕様
 RECOMMENDED STRUCTURE OF FFC



推奨基板レイアウト(マウント面)

RECOMMENDED P.C. BOARD
 PATTERN DIMENSION (MOUNTING SIDE)
 マスク厚 : 100µm
 マスク開口率 : 100%
 SCREEN THICKNESS : 100µm
 SCREEN OPEN TATIO : 100%



VIEW M
 (DETAIL OF FITTING NAIL
 ON PATTERN)

FPC/FFCについて:
 抜き方向は、導体側から補強板側を推奨致します。
 尚、接着剤の接点部への付着は導通不良の原因になりますので、
 染み出しが無い様お願い致します。
 ABOUT FPC/FFC:
 RECOMMENDED PUNCHER DIRECTION:
 FROM CONDUCTOR SIDE TO STIFFNER SIDE
 PLEASE PUT APPROPRIATE AMOUNT OF ADHESIVE ON ADHEREND
 BECAUSE THERE IS A POSSIBILITY THAT THE EXTRA ADHESIVE
 CAUSES THE DEFECT IN ELECTRICAL CONTINUITY.

GENERAL TOLERANCES (UNLESS SPECIFIED)	
10 UNDER	± 0.2
10 OVER 30 UNDER	± 0.25
30 OVER	± 0.3
ANGULAR	± 3 °
DRAFT WHERE APPLICABLE MUST REMAIN WITHIN DIMENSIONS	

DIMENSION UNITS		SCALE		CURRENT REV DESC: REMOVED OBSOLETE PART NUMBER AS PER PCN#512672.			
mm	5:1						
GENERAL TOLERANCES (UNLESS SPECIFIED)							
4 PLACES	± 0.2			EC NO: 724799			
3 PLACES	± 0.25			DRWN: SUGEEB 2022/10/20			
2 PLACES	± 0.3			CHK'D: GGA 2022/11/03			
1 PLACE	±			APPR: GGA 2022/11/03			
0 PLACES	±			INITIAL REVISION:			
DRAFT WHERE APPLICABLE MUST REMAIN WITHIN DIMENSIONS		THIRD ANGLE PROJECTION		DRAWING		SERIES	
		A3-SIZE		52745		MATERIAL NUMBER	
				SEE CHART		CUSTOMER	
				GENERAL MARKET		SHEET NUMBER	
				2 OF 2			

molex

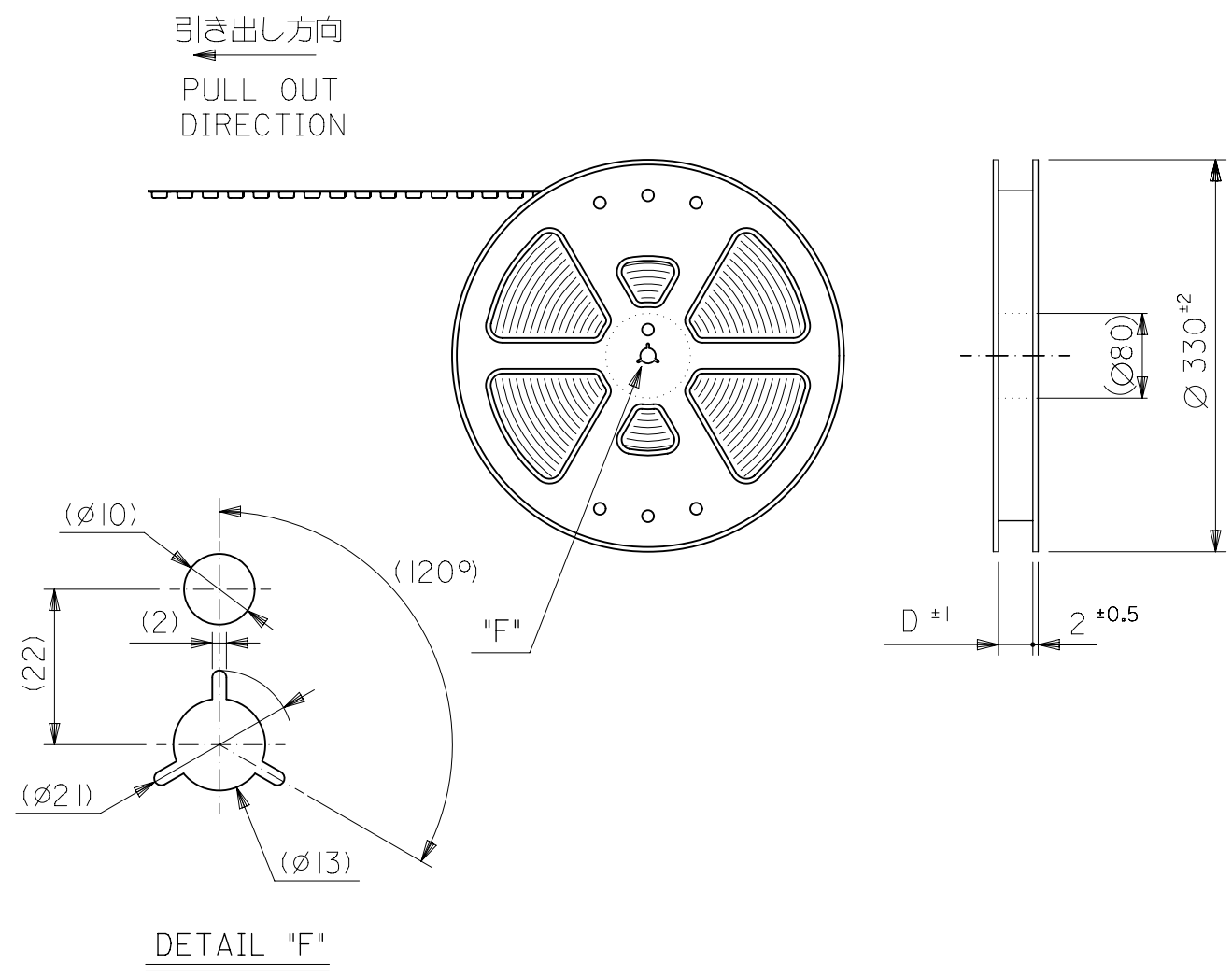
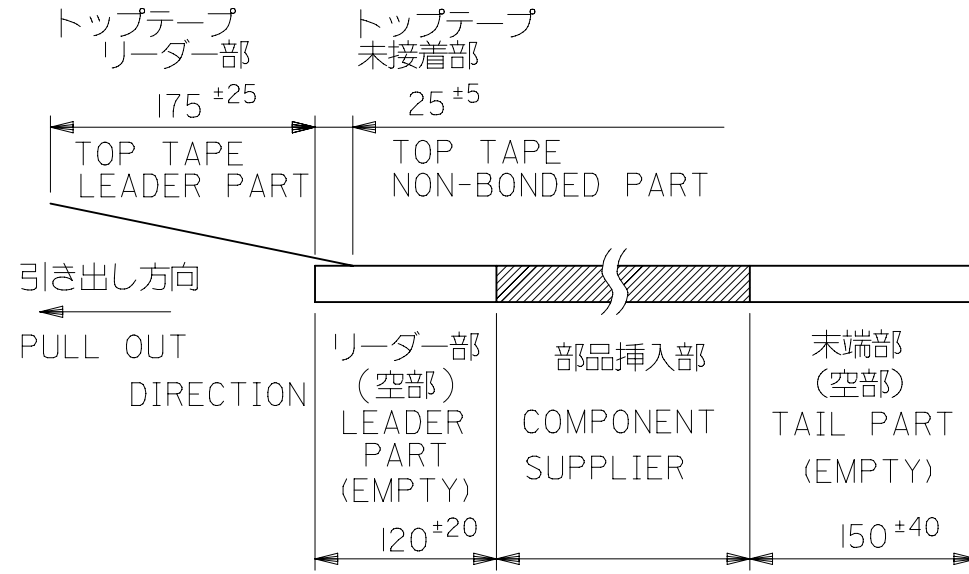
0.5MM FPC CONN ZIF R/A
 HOUSING ASSY (UPPER CONTACT)

PRODUCT CUSTOMER DRAWING

DOCUMENT NUMBER	DOC TYPE	DOC PART	REVISION
SD-52745-055	PSD	001	B1

注記 NOTES

- 1. 製品番号 52745-**22の梱包状態はアクチュエータがロックした状態とする。
詳細寸法については図面 SD-52745-055を参照下さい。
IN THE PACKAGE,ACTUATOR OF PART NO.52745-**22 SHOULD BE LOCKED
RE DETAILED DIMENSIONS,SEE SD-52745-055
- 2. 梱包数量：1000個/リール
NUMBER OF CONNECTORS:1000PCS/REEL
- 3. リードテープ長さ LEAD TAPE LENGTH



- 4. カバーテープの剥離強度については、IEC60286-3 に準拠
COVER TAPE PEEL FORCE IS DEFINED BY IEC 60286-3.

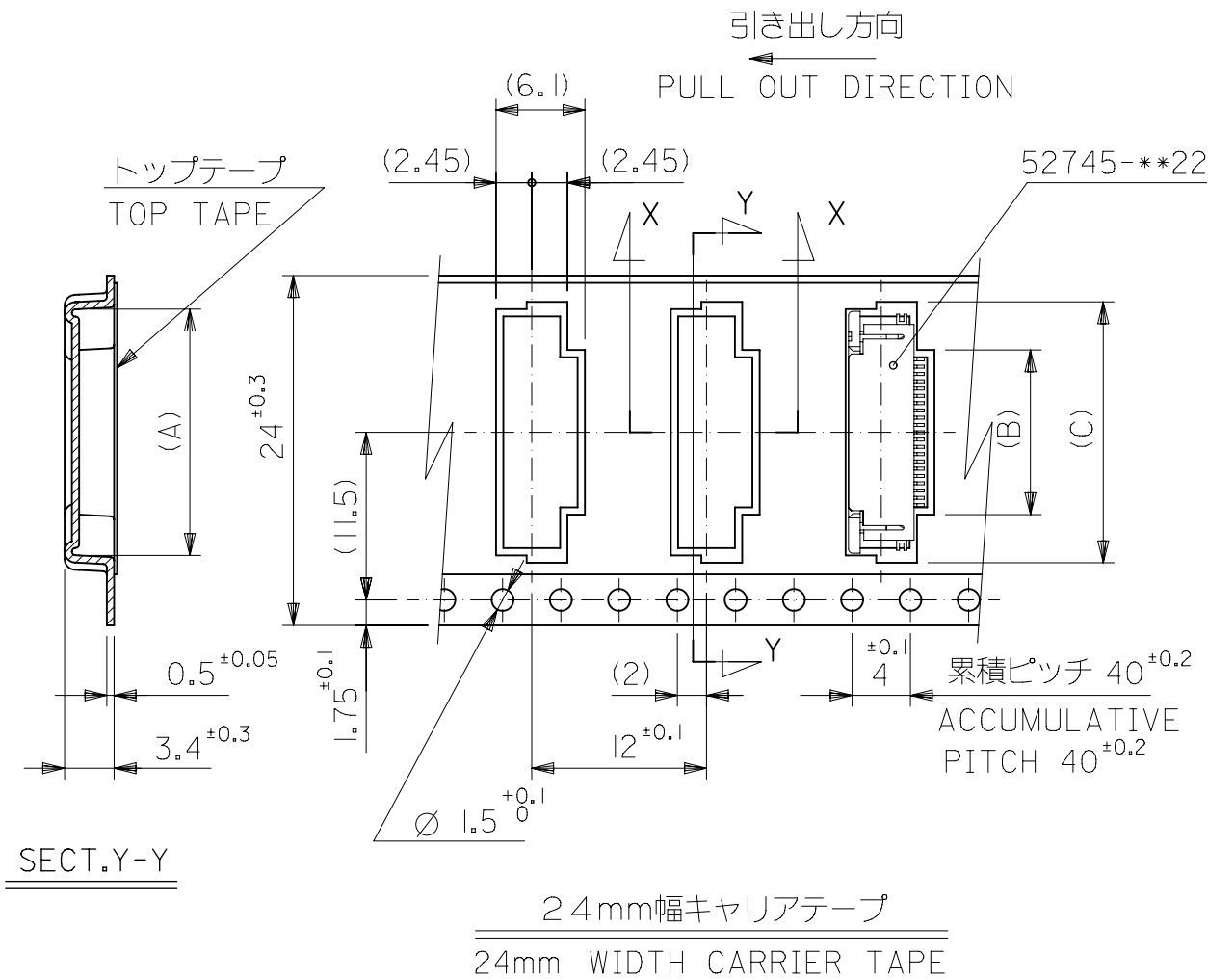
5. 材料
 キャリアテープ：ポリプロピレン (PP)
 トップテープ：PET, PE, PEF
 リール：ポリスチレン (PS) <リサイクル材を含む>

MATERIAL CARRIER TAPE:POLYPROPYLENE
 TOP TAPE:PET,PE,PEF
 REEL:POLYSTYREN(PS)
 <RECYCLE MATERIAL CONTAINED>

6. ELV及びRoHS適合品
 ELV AND RoHS COMPLIANT

THIS DRAWING CONTAINS INFORMATION THAT IS PROPRIETARY TO MOLEX ELECTRONIC TECHNOLOGIES, LLC AND SHOULD NOT BE USED WITHOUT WRITTEN PERMISSION

DIMENSION UNITS	SCALE	CURRENT REV DESC: REMOVED OBSOLETE PART NUMBER AS PER PCN#512672.	molex		
mm	NTS		EMBOSS TAPE PACKAGED FOR 0.5MM FPC CONN ZIF R/A HOUSING ASSY		
GENERAL TOLERANCES (UNLESS SPECIFIED)		EC NO: 724799	PRODUCT CUSTOMER DRAWING		
ANGULAR TOL ± 3.0°		DRWN: SUGEEB	2022/10/21	DOCUMENT NUMBER	
4 PLACES ± 0.2		CHK'D: GGA	2022/11/03	SD-52745-056	DOC TYPE
3 PLACES ± 0.25		APPR: GGA	2022/11/03	PSD	DOC PART
2 PLACES ± 0.3		INITIAL REVISION:	2012/09/05	001	REVISION
1 PLACE ±		DRWN: TMORISHITA	2013/03/15	A	
0 PLACES ±		APPR: KMORIKAWA			
DRAFT WHERE APPLICABLE MUST REMAIN WITHIN DIMENSIONS		THIRD ANGLE PROJECTION	DRAWING	SERIES	MATERIAL NUMBER
ANGULAR ±3°		⊕	A3-SIZE	52745	CUSTOMER
					SEE TABLE
					GENERAL
					SHEET NUMBER
					1 OF 3



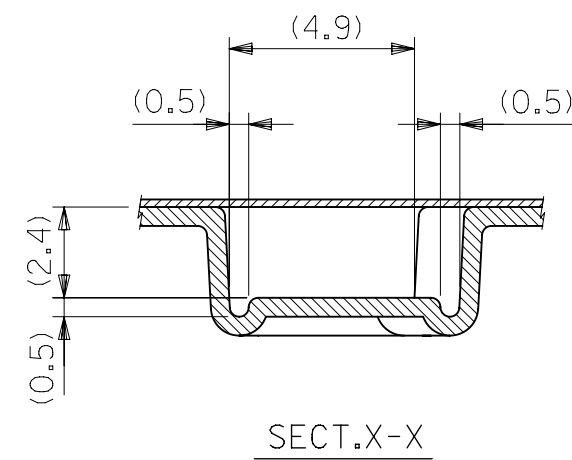
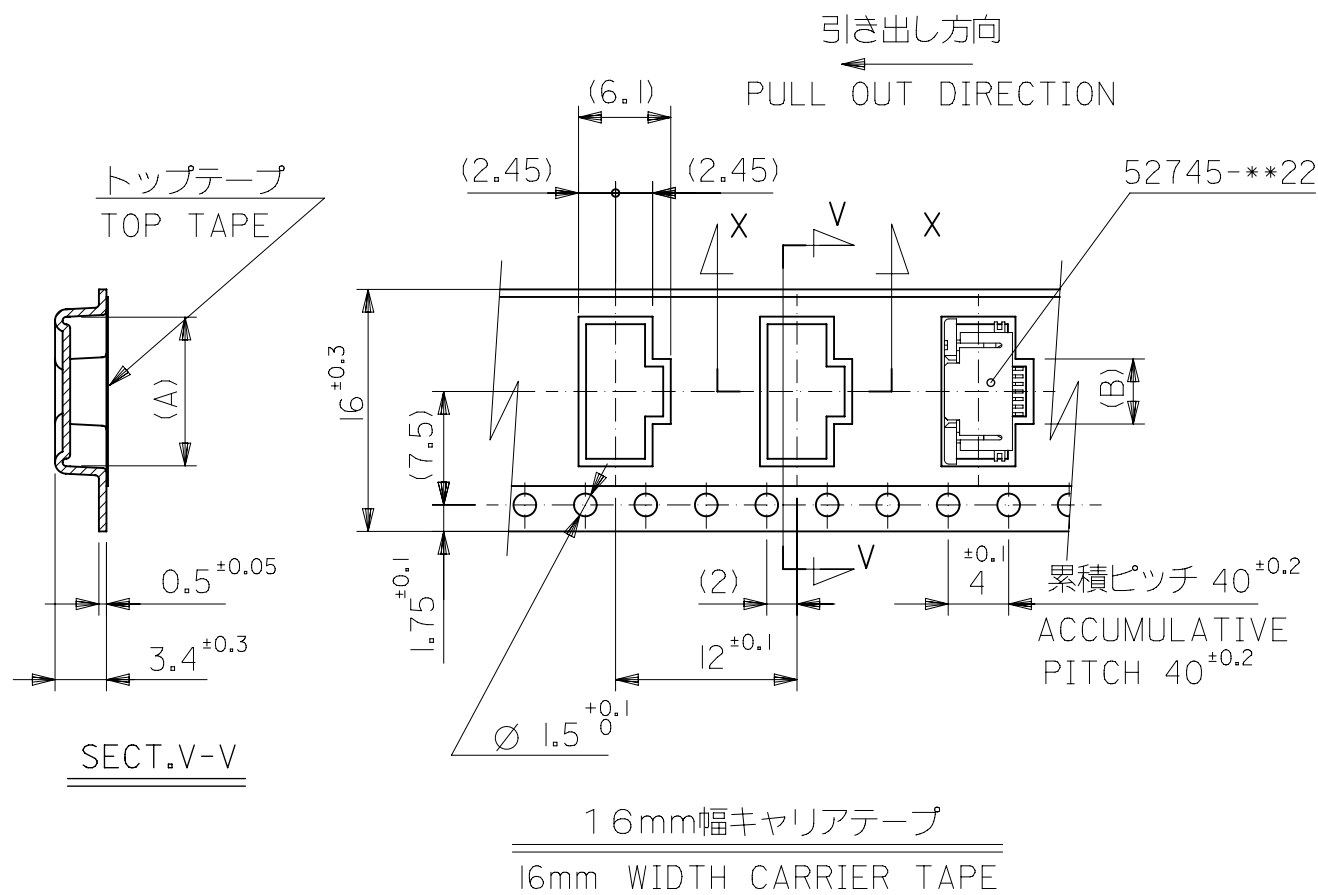
24	25.5	17.4	10.8	16.4	52745-2033	20
		16.4	9.8	15.4	-1833	18
		15.9	9.3	14.9	-1733	17
		15.4	8.8	14.4	-1633	16
		14.9	8.3	13.9	-1533	15
		14.4	7.8	13.4	-1433	14
		13.9	7.3	12.9	-1333	13
		13.4	6.8	12.4	-1233	12
		12.9	6.3	11.9	-1133	11
		12.4	5.8	11.4	-1033	10
		11.9	5.3	10.9	-0933	9
		11.4	4.8	10.4	-0833	8
10.9	4.3	9.9	-0733	7		
10.4	3.8	9.4	52745-06 33	6		
キャリアテープ幅 CARRIER TAPE WIDTH	D	(C)	(B)	(A)	EMBOSSED PACKAGE	極数
					ORDER No. オーダー番号	CIRCUIT

CONNECTOR SERIES NO. : 52745-**22

THIS DRAWING CONTAINS INFORMATION THAT IS PROPRIETARY TO MOLEX ELECTRONIC TECHNOLOGIES, LLC AND SHOULD NOT BE USED WITHOUT WRITTEN PERMISSION

DIMENSION UNITS mm	SCALE NTS	CURRENT REV DESC: REMOVED OBSOLETE PART NUMBER AS PER PCN#512672.	molex			
GENERAL TOLERANCES (UNLESS SPECIFIED)		EC NO: 724799 DRWN: SUGEEB CHK'D: GGA APPR: GGA				2022/10/21 2022/11/03 2022/11/03
GENERAL TOLERANCES (UNLESS SPECIFIED)		INITIAL REVISION:	PRODUCT CUSTOMER DRAWING			
4 PLACES ± 0.2		DRWN: TMORISHITA	DOCUMENT NUMBER	DOC TYPE	DOC PART	REVISION
3 PLACES ± 0.25		APPR: KMORIKAWA	SD-52745-056	PSD	001	A
2 PLACES ± 0.3		DRAFT WHERE APPLICABLE MUST REMAIN WITHIN DIMENSIONS	MATERIAL NUMBER	CUSTOMER		SHEET NUMBER
1 PLACE ±		THIRD ANGLE PROJECTION	SEE TABLE	GENERAL		2 OF 3
0 PLACES ±		DRAWING	A3-SIZE	SERIES		52745

GENERAL TOLERANCES (UNLESS SPECIFIED)	
10 ^{UNDER}	±0.2
10 ^{OVER} 30 ^{UNDER}	±0.25
30 ^{OVER}	±0.3
ANGULAR ±3°	



16	17.5	2.8	8.4	52745-0433	4
キャリアテープ幅 CARRIER TAPE WIDTH	D	(B)	(A)	EMBOSSED PACKAGE	極数
				ORDER No. オーダー番号	CIRCUIT

THIS DRAWING CONTAINS INFORMATION THAT IS PROPRIETARY TO MOLEX ELECTRONIC TECHNOLOGIES, LLC AND SHOULD NOT BE USED WITHOUT WRITTEN PERMISSION					
DIMENSION UNITS mm	SCALE NTS	CURRENT REV DESC: REMOVED OBSOLETE PART NUMBER AS PER PCN#512672.			
GENERAL TOLERANCES (UNLESS SPECIFIED)		molex EMBOSS TAPE PACKAGED FOR 0.5MM FPC CONN ZIF R/A HOUSING ASSY PRODUCT CUSTOMER DRAWING			
ANGULAR TOL ± 3.0°					
4 PLACES ± 0.2	EC NO: 724799				
3 PLACES ± 0.25	DRWN: SUGEEB 2022/10/21				
2 PLACES ± 0.3	CHK'D: GGA 2022/11/03				
1 PLACE ±	APPR: GGA 2022/11/03	INITIAL REVISION:		DOCUMENT NUMBER	DOC TYPE
0 PLACES ±		DRWN: TMORISHITA 2012/09/05	SERIES	SD-52745-056	PSD
DRAFT WHERE APPLICABLE MUST REMAIN WITHIN DIMENSIONS		APPR: KMORIKAWA 2013/03/15	MATERIAL NUMBER	SEE TABLE	DOC PART
THIRD ANGLE PROJECTION		DRAWING	CUSTOMER	GENERAL	REVISION
A3-SIZE		52745	SHEET NUMBER		3 OF 3

GENERAL TOLERANCES (UNLESS SPECIFIED)	
10 ^{UNDER}	±0.2
10 ^{OVER} 30 ^{UNDER}	±0.25
30 ^{OVER}	±0.3
ANGULAR ±3°	