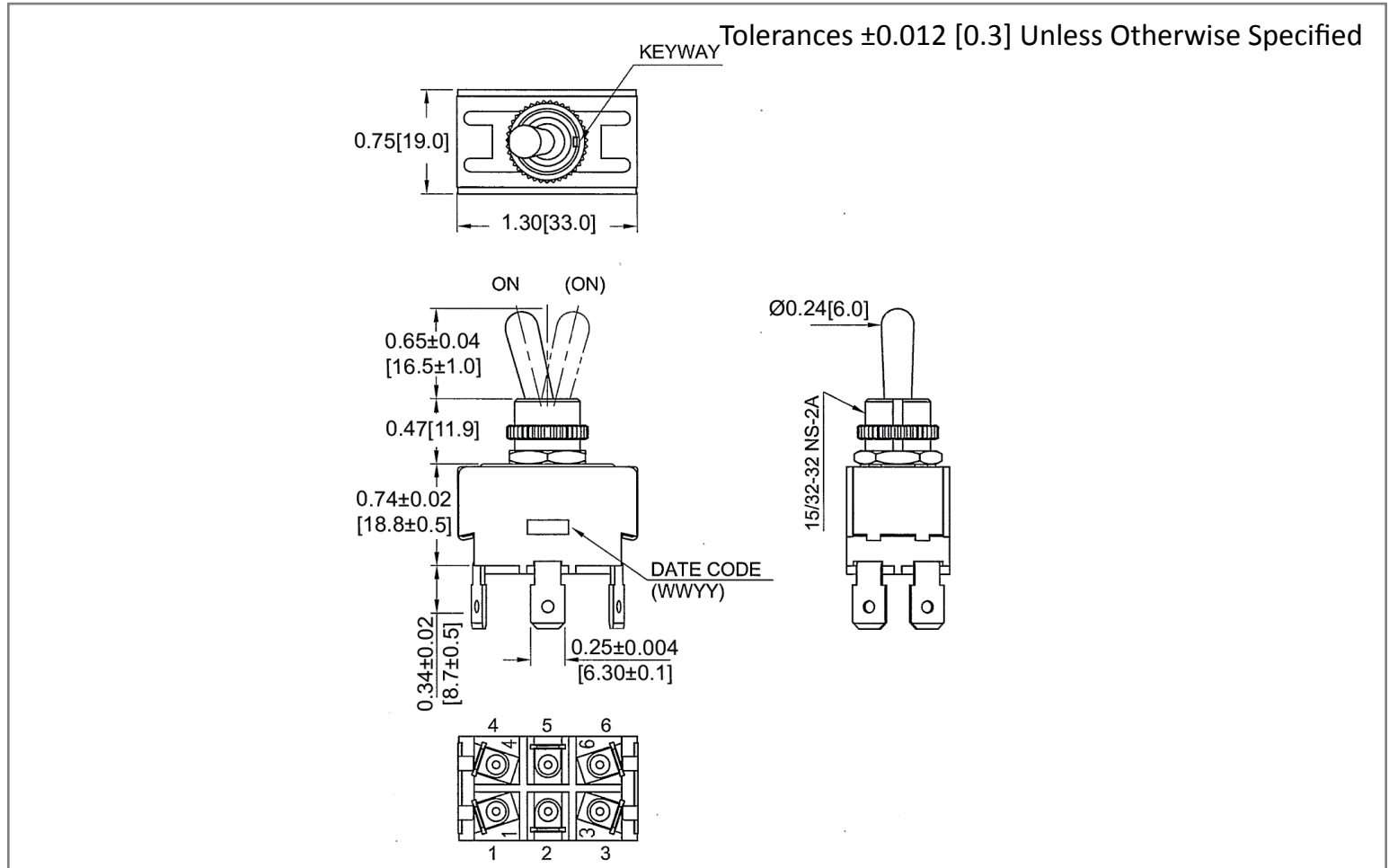
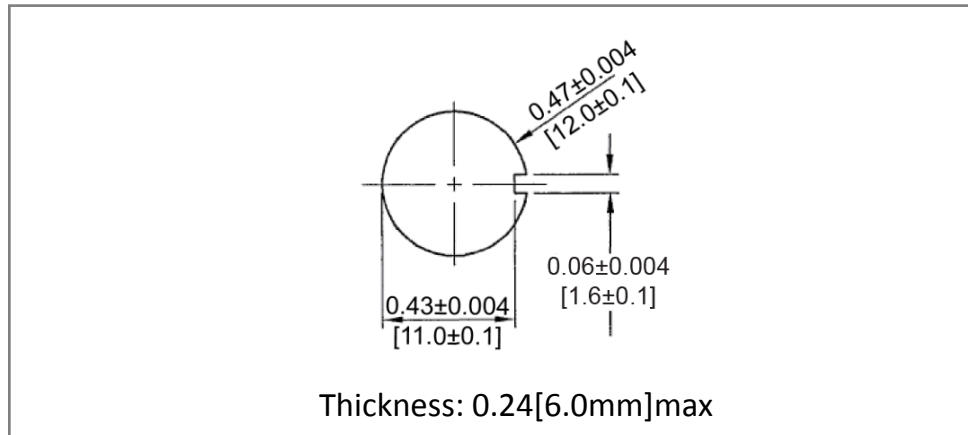


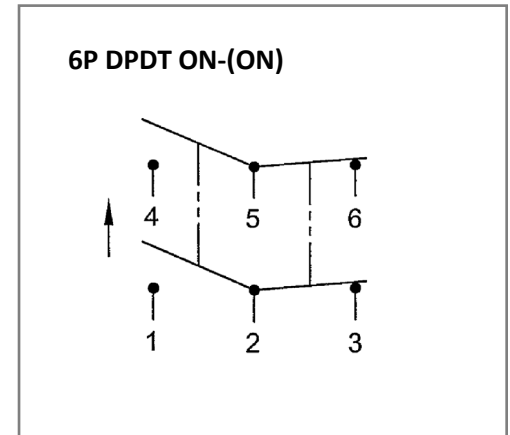
## Mechanical Dimensions: Inches [mm]



## Mounting Hole



## Circuit Diagram



## Electrical Specifications

**Rating** 10(4)A 125/250V AC, 10A 125/250V AC

20A 125V AC, 10A 277V AC, 1 1/2HP 125-250V AC

**Contact Resistance** 50m ohm Max

**Insulation Resistance** DC 500V 100M ohm Min

**Dielectric Strength** AC 1500V 1 minute

**Operation Temperature** 1300gf±500gf

## Material Specifications

1 Hex Nut Assy

1 Knurl Nut Assy

Rev	Date of issue	Revision Notes	Designed	Approved
B	03-12-2021	Initial Drawing	RC	OF