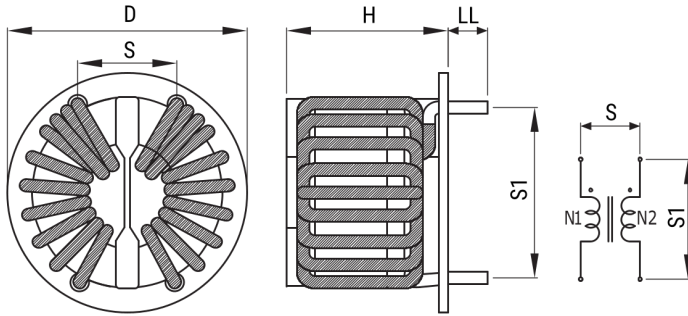


SC-20-10JR

Aliases (UALSC2010JR000)

KEMET, SC-JH, AC Line Filters, Common Mode, 1 mH



Click [here](#) for the 3D model.

Dimensions

D	51mm MAX
H	34mm MAX
LL	5mm +/-2mm
S	15mm NOM
S1	35mm NOM
Wire Size	2mm

Packaging Specifications

Packaging	Tray
Packaging Quantity	100
Component Weight	109 g

General Information

Series	SC-JH
Style	Through-Hole
RoHS	Yes
Notes	Lead Spacing (S/S1) Are For Reference Only.
Miscellaneous	Temperature Rise Maximum: 50 K.
Core	Mn-Zn Ferrite

Specifications

Voltage AC	250 VAC
Inductance	1 mH (100 kHz)
Current	20 A
Temperature Range	-25/+105°C
DC Resistance	8 mOhms