

4

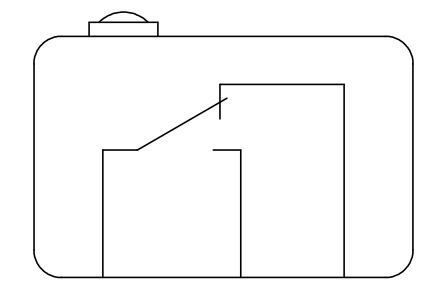
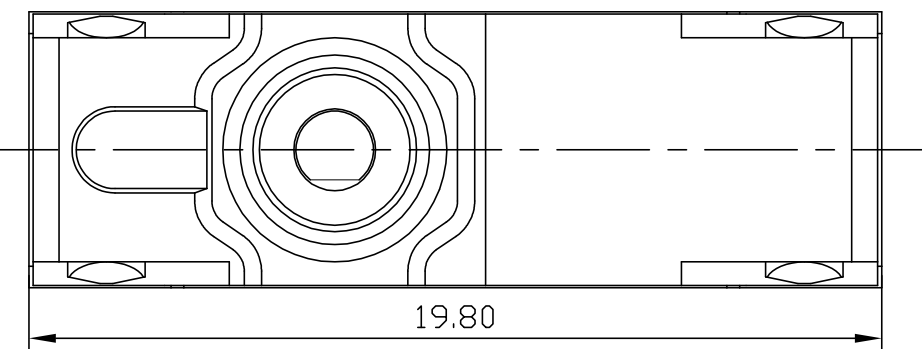
3

2

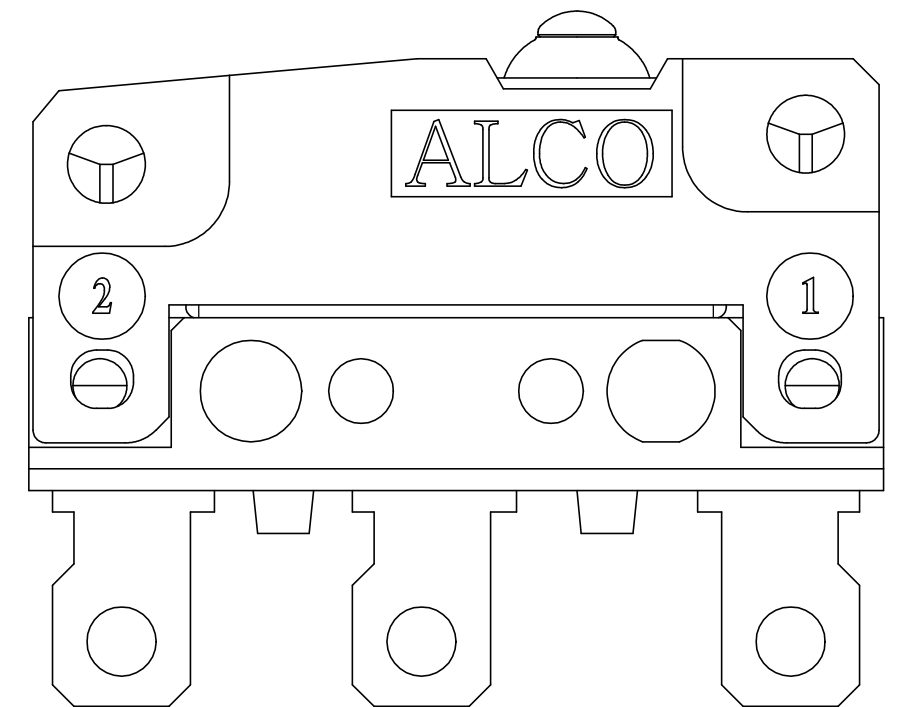
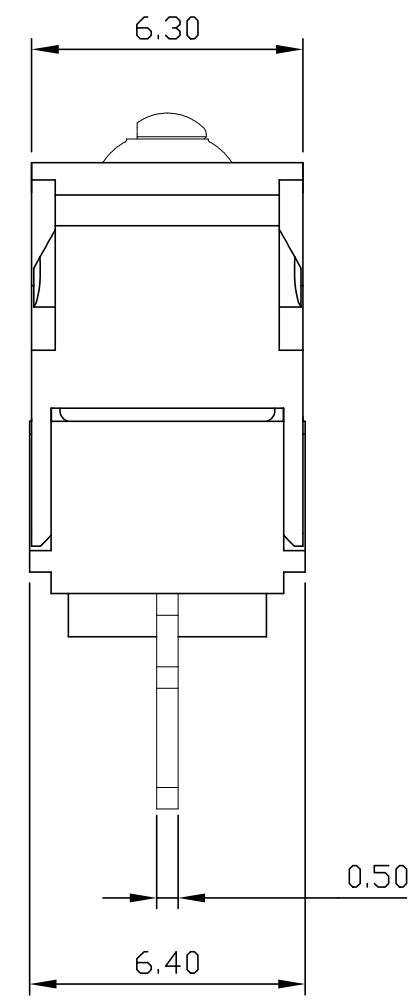
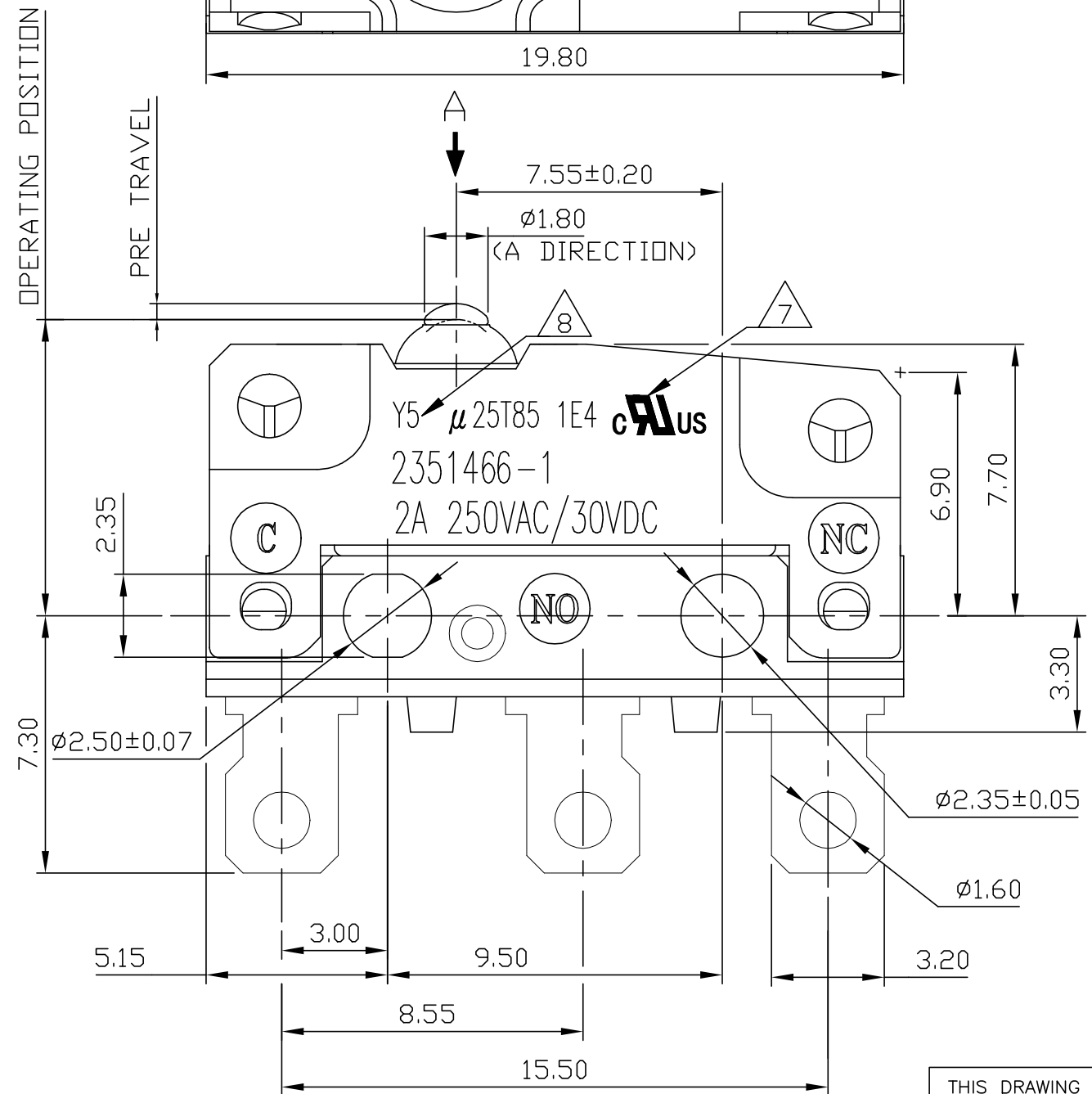
1

THIS DRAWING IS UNPUBLISHED. RELEASED FOR PUBLICATION
 © COPYRIGHT - TE Connectivity Ltd. ALL RIGHTS RESERVED.

REVISIONS				
P	LTR	DESCRIPTION	DATE	APVD
1		NEW DRAWING	14MAY2019	GCM AS



COM NO NC
Contact Form



THIS DRAWING IS A CONTROLLED DOCUMENT.		DWN	GANESH C M		13MAY2019
DIMENSIONS:		CHK	ALEXANDER SHARPE		13MAY2019
mm		APVD	ALEXANDER SHARPE		13MAY2019
TOLERANCES UNLESS OTHERWISE SPECIFIED:		PRODUCT SPEC			
0 PLC ± -		APPLICATION SPEC			
1 PLC ± 0.4		WEIGHT			
2 PLC ± 0.4		CUSTOMER DRAWING			
3 PLC ± -		SCALE NTS			
4 PLC ± -		SHEET 1 of 2			
ANGLES ± -		REV 1			
FINISH		RESTRICTED TO			
MATERIAL		SIZE A3			
		CAGE CODE 00779			
		DRAWING NO. C-2351466			

PRELIMINARY



SWITCH, SUBMINIATURE SLD SNAP ACTION,
 PIN PLUNGER, SOLDER TERMINALS

THIS DRAWING IS UNPUBLISHED.

RELEASED FOR PUBLICATION

REVISIONS

© COPYRIGHT - TE Connectivity Ltd.

ALL RIGHTS RESERVED.

P	LTR	DESCRIPTION	DATE	DWN	APVD
-	-	SEE SHEET 1	-	-	-

NOTES:

- OPERATING CHARACTERISTICS ARE FOR OPERATION IN THE A DIRECTION ↓
- PACKAGING:
SWITCHES ARE BULK PACKAGED IN BAGS, 100 SWITCHES PER BAG, 10 BAGS PER BOX.
- COMPLIANCE:
THE CURRENT STATEMENT OF COMPLIANCE IS AVAILABLE AT TE.COM.
- MATERIAL AND FINISH:
COVER: THERMOPLASTIC, BLACK
BASE: THERMOPLASTIC, BLACK
BUTTON: THERMOPLASTIC, BLACK
CONTACTS: SILVER ALLOY, SILVER PLATED
TERMINAL: BRASS, SILVER PLATED
SPRING PLATE: COPPER ALLOY
SEALING CAP: RUBBER, BLACK
SEALING GASKETS: RUBBER, BLACK
- SPECIFICATIONS:
CURRENT RATING: SEE TABLE
CONTACT RESISTANCE: 50mΩ MAXIMUM, INITIAL AT FREE POSITION AND TOTAL TRAVEL POSITION
INSULATION RESISTANCE: 100MΩ MINIMUM, @ 500 V DC, 1 MINUTE, INITIAL.
DIELECTRIC WITHSTANDING VOLTAGE, BETWEEN TERMINALS OF THE SAME POLARITY: 1000 V AC, 50 TO 60 Hz FOR 1 MINUTE
DIELECTRIC WITHSTANDING VOLTAGE, BETWEEN EACH TERMINAL AND GROUND: 1500 V AC, 50 TO 60 Hz FOR 1 MINUTE
DIELECTRIC WITHSTANDING VOLTAGE, BETWEEN EACH TERMINAL AND NON-CURRENT CARRYING METAL PART: 1500 V AC, 50 TO 60 Hz FOR 1 MINUTE
INGRESS PROTECTION: IP67
- SOLDER PROCESS:
MANUAL SOLDERING: 350°C, 3 SECONDS MAXIMUM, 30 TO 40 WATTS. PREVENT SOLDER AND FLUX CONTACTING THE SWITCH BODY.
DO NOT OPERATE THE SWITCH DURING THE FIRST MINUTE AFTER SOLDERING.

7 CERTIFICATION: 

8 DATE CODE: ① ②

①	MONTH	1 TO 9,X,Y,Z (X=10, Y=11, Z=12)
②	YEAR	0 TO 9,(EX:7=2017)

SILVER	SPDT	1,000,000 CYCLES, MINIMUM	50,000 CYCLES, MINIMUM	-40 TO +85°C/85% RELATIVE HUMIDITY MAXIMUM	-25 TO +85°C/60% RELATIVE HUMIDITY MAXIMUM	0.15 MAXIMUM	0.4 MINIMUM	0.6 MAXIMUM	8.4±0.3	20 gf MINIMUM	183 gf MAXIMUM	2A, 30VDC 2A, 250VAC	MOMENTARY	SOLDER	SAJSX2XPP0180SDTSEQ	2351466-1
CONTACT FINISH	CONTACT FORM	MECHANICAL LIFE	ELECTRICAL LIFE	STORAGE TEMPERATURE RANGE/HUMIDITY RANGE	OPERATING TEMPERATURE RANGE/HUMIDITY RANGE	MOVEMENT DIFFERENTIAL	OVERTRAVEL	PRETRAVEL	OPERATING POSITION	RELEASE FORCE	OPERATING FORCE	CONTACT RATING,	CONTACT CONFIGURATION	TERMINAL TYPE	TE SMART PART NUMBER	PART NUMBER

THIS DRAWING IS A CONTROLLED DOCUMENT.

DWN 13MAY2019
GANESH C M

CHK 13MAY2019
ALEXANDER SHARPE

APVD 13MAY2019
ALEXANDER SHARPE

PRODUCT SPEC

APPLICATION SPEC

WEIGHT

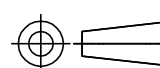
CUSTOMER DRAWING

 TE Connectivity Ltd.

NAME
SWITCH, SUBMINIATURE SLD SNAP ACTION,
PIN PLUNGER, SOLDER TERMINALS

SIZE	CAGE CODE	DRAWING NO	RESTRICTED TO
A3	00779	2351466	-

DIMENSIONS: mm



TOLERANCES UNLESS OTHERWISE SPECIFIED:

- 0 PLC ± -
- 1 PLC ± 0.4
- 2 PLC ± 0.4
- 3 PLC ± -
- 4 PLC ± -
- ANGLES ± -
- FINISH -

PRELIMINARY