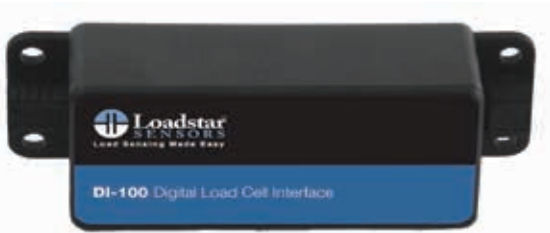


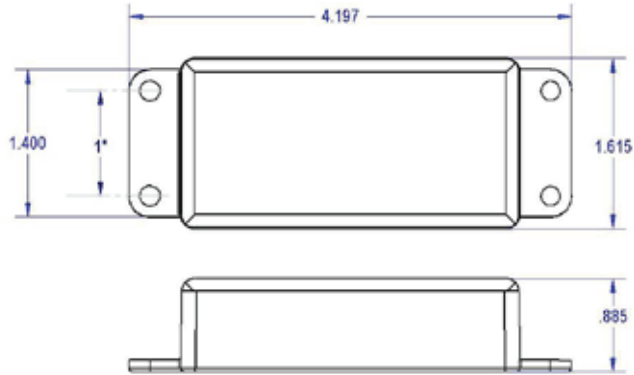
DI-100U 16-bit Digital Sensor Interface

Overview

Loadstar Sensors' DI-100U Digital Sensor Interface modules provide a simple, convenient method to connect existing millivolt output load cells or other sensors with mV/V output to Windows PC or tablets via USB.



Single Channel, 16-Bit USB



Highlights

- ★ Powered by USB port; no external power needed.
- ★ Works with most 4-wire 0-3 mV/V load cells (wires with E+, E-, S+, S-).
- ★ Offers 16-bit resolution & provides accuracies to +/- 0.1% of full scale for most load cells.
- ★ Appears as a Virtual COM port on a Windows PC.
- ★ Works with LabVIEW, Matlab, VisualStudio etc.
- ★ ASCII command set to allow users to get calibrated data into their own software applications.
- ★ Provides UART/Serial TTL output, USB output using S2R serial to USB Dongle.
- ★ Works with LoadVUE, SensorVUE or ControlVUE software to display, log or plot this data.

Specifications

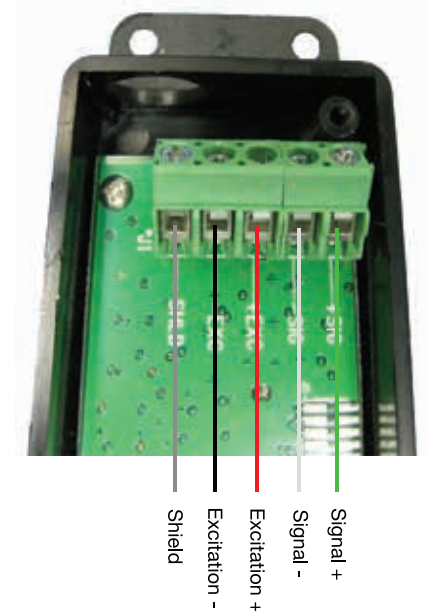
Model	DI-100U
Accuracy Class	0.1%
Input Range	3 mV/V (0-15 mV Span)
ADC Resolution	16 bit
Channels	1
Sampling rate	40 Hz (DI-100U) 275 Hz (D-100UHS)
Output Protocol (Interface to PC)	UART (Tx, Rx) or USB (Virtual COM) using Serial to USB Dongle (S2U)
Wireless Option	No
Battery Option	No
Load Cell Compatibility	4 Wire
Compatible Software	LV-100, LV-1000, LV-4000, LV-CG, SensorVUE, ControlVUE, nCounter

Ordering Information

Available Configurations				
Part No.	ADC(Bits)	Channels	Data Output Rate(Hz.)	Output
DI-100U	16	1	40	USB
DI-100UHS	16	1	275	USB



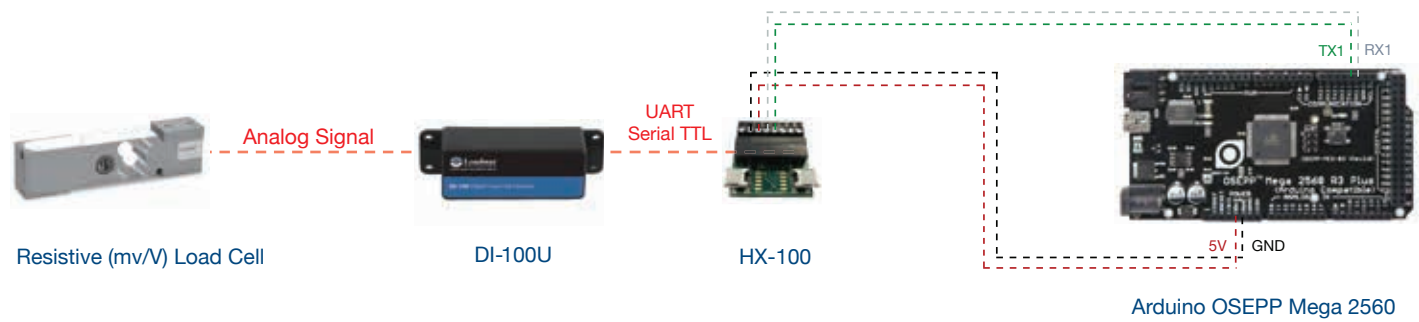
Wiring Diagram: DI-100U



USB Configuration



UART / Serial TTL Configuration



Resistive Load Cell + DI-100 to RS-232 Configuration

