

# Large Insulated Alligator Clip With 4mm Sheathed Jack

**CT4409-#**



## Features:

- IEC 61010-031 rated to 1,000 V CAT III / 600 V CAT IV
- 20 A Max
- Ergonomic design
- Slim beak jaw allows reach into narrow spaces
- Jaw opens to 34.5 mm
- Three-incisor mouth to ensure grip on screw heads
- Connects to 4mm sheathed or standard banana plugs
- CE listed
- RoHS 2 Compliant

## Description:

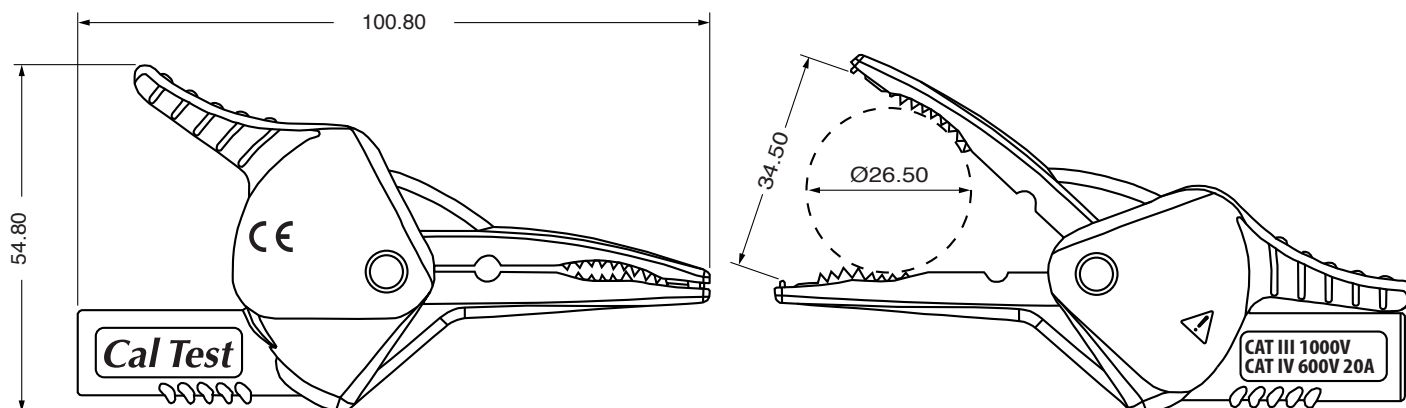
The CT4409 is rated to 1,000 V CAT III / 600 V CAT IV<sup>a</sup> and 20 A max.

The CT4409 comes with a 4 mm sheathed jack for connections to standard or sheathed banana plugs. The thumb actuator is ergonomically curved and boasts lined ridges for a sure grip. The slim beak jaw allows the clip to reach into those narrow spaces and with an overall jaw opening of 34 mm, this clip accommodates conductors up to 26.5 mm in diameter. Once in place, the spring loaded, three-incisor mouth will hold securely to screw heads or flat headed objects.

The CT4409 is available in black or red. The CT4410 includes both colors.

a. Must be used in conjunction with other similarly rated products.

## Mechanical Drawing: Dimensions in mm, not to scale



Specifications and appearance subject to change without notice  
D440900 110320

1 - [www.caltestelectronics.com](http://www.caltestelectronics.com)

**Cal Test**  
ELECTRONICS

## Order Information:

### **CT4409-#**

Large Insulated Alligator Clip With 4mm Sheathed Jack

- Color - replace '-#' with dash number:  
-0 Black, -2 Red

### **CT4410**

Large Insulated Alligator Clip With 4mm Sheathed Jack, B/R pair

## Contact Info:

Toll Free: 800-572-1028 (US Only)

Phone: 714-221-9330

Fax: 714-921-9849

22820 Savi Ranch Parkway

Yorba Linda, CA 92887-4610 USA

[www.caltestelectronics.com](http://www.caltestelectronics.com)



Copyright © 2020, Cal Test Electronics, Inc. All rights reserved. Information in this publication supersedes that in all previously published material. Trade names referenced are the service marks, trademarks or registered trademarks of their respective companies.