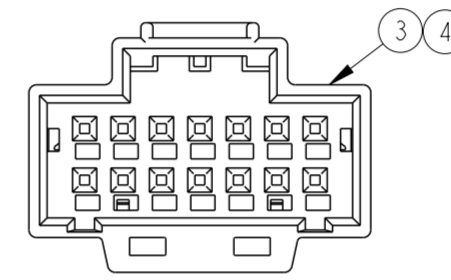
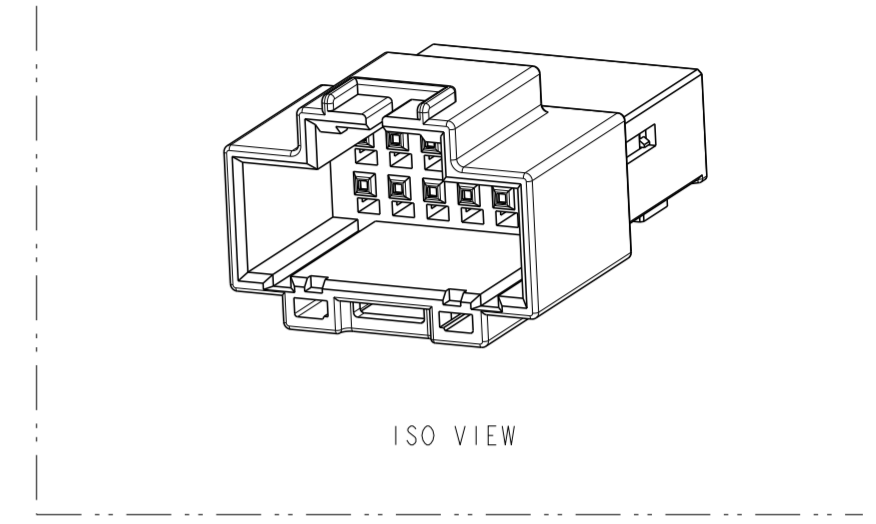
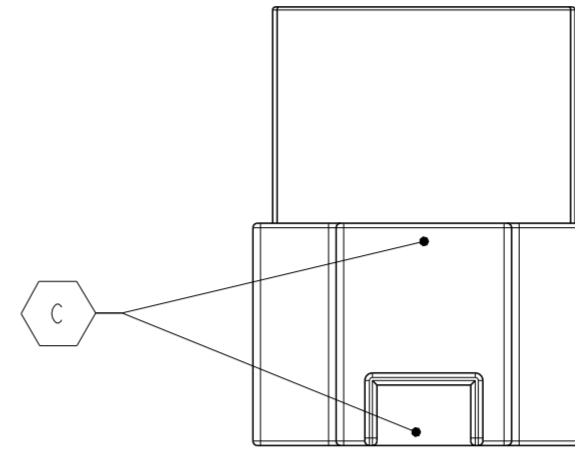
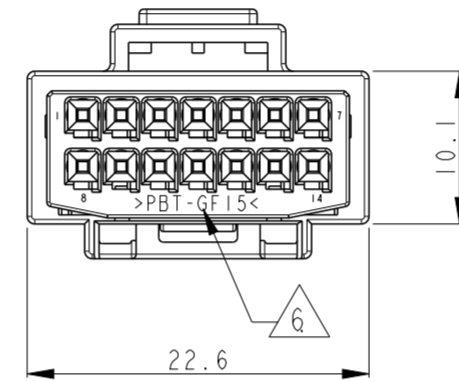
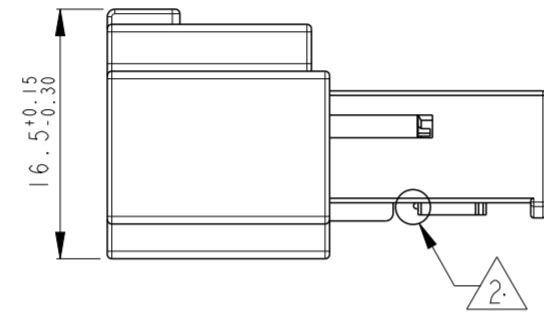
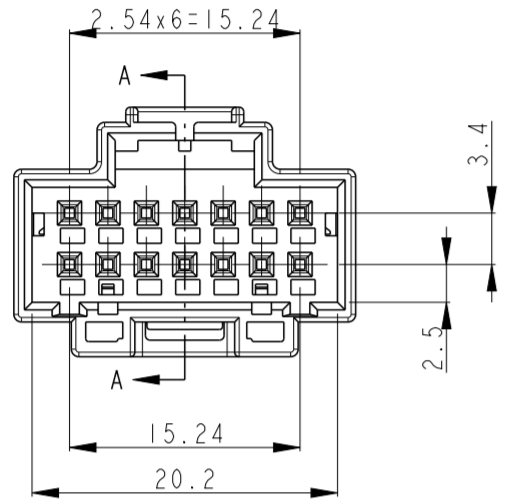
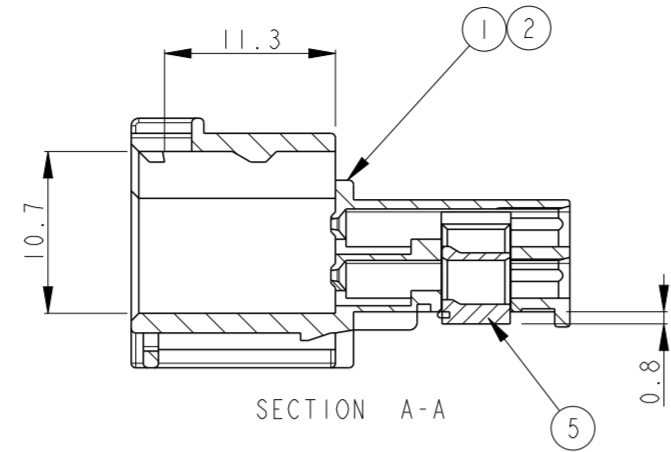
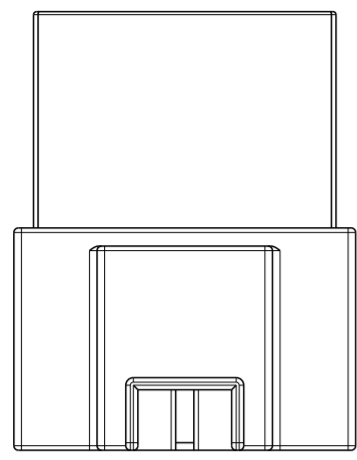
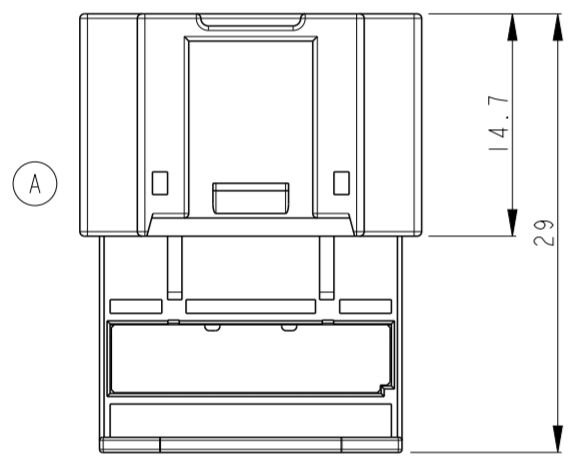
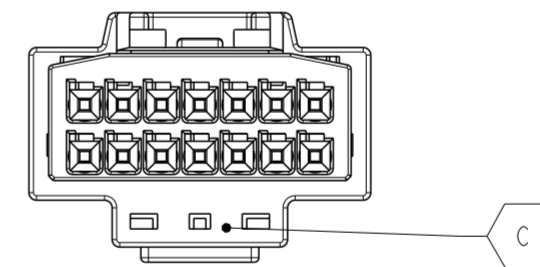
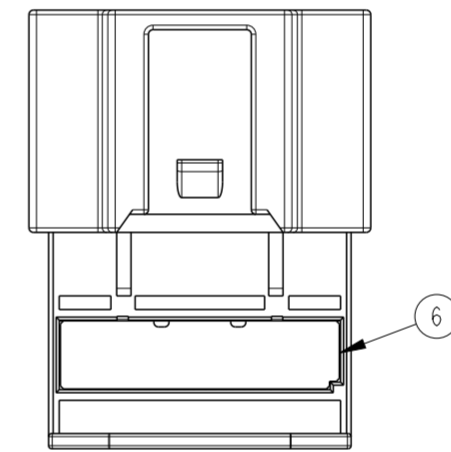


REVISIONS					
P	LTR	DESCRIPTION	DATE	DWN	APVD
A		REVISED (ECR-19-000184)	07JAN2019	SY	YJ
B		REVISED (ECR-19-014755)	23SEP2019	CI	YJ
BI		REVISED (ECR-20-006211)	29APR2019	CI	-YJ
C		CHANGE IN 2-X-3, 3-X-4	10FEB2023	CI	YJ



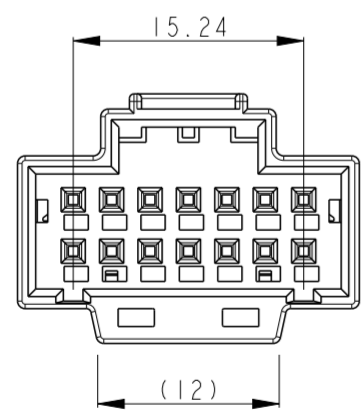
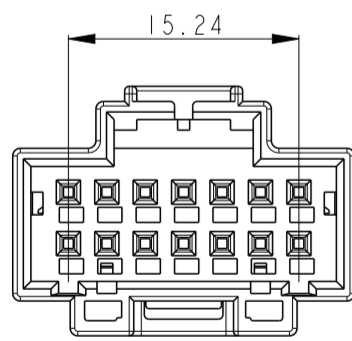
<ONLY FOR P/N:2-936126-3, 3-936126-4>



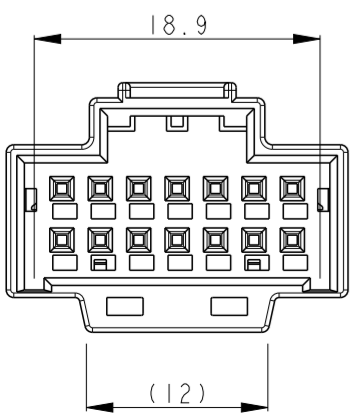
KEY CODE

CODE 1: 0-936126-1  
0-936126-2

CODE 1: 2-936126-3



CODE 2 : 3-936126-4



NOTE  
1.GENERAL TOLRANCE : ±0.3,±1°  
2.CONDITION OF DELIVERY, DBL IN 1ST LOCKING POSITION.  
3.APPLIED CLIP HSG:

P/N.	PANEL THK.	PANEL HOLE SIZE
368165	0.7~1.6mm	$\phi 7 \pm 0.1$
368373	0.5~2.0mm	$\phi 7 \pm 0.1$

4.APPLIED PLUG ASSY P/N:936124  
5.APPLIED TAB CONTACT P/N:

P/N	928918	963716
WIRE SIZE(mm^2)	0.25-0.5	0.75

6. RECYCLE MARK;  
->PBT-GF15< : 0-936126-1, 0-936126-2  
->PA66-GF15< : 2-936126-3, 3-936126-4

NO.	DESCRIPTION	MATERIAL	COLOR	Q'TY
6	DBL HSG	PA66-GF15	BLACK	I
5	DBL HSG	PBT-GF15	NATURAL	I
4	CAP HSG CODE2	PA66-GF15	BROWN	I
3	CAP HSG CODE1	PA66-GF15	DARK GRAY	I
2	CAP HSG CODE1	PBT-GF15	YELLOW	I
1	CAP HSG CODE1	PBT-GF15	BLACK	I

NO.	DESCRIPTION	MATERIAL	COLOR	Q'TY
6	DBL HSG	PA66-GF15	BLACK	I
5	DBL HSG	PBT-GF15	NATURAL	I
4	CAP HSG CODE2	PA66-GF15	BROWN	I
3	CAP HSG CODE1	PA66-GF15	DARK GRAY	I
2	CAP HSG CODE1	PBT-GF15	YELLOW	I
1	CAP HSG CODE1	PBT-GF15	BLACK	I

THIS DRAWING IS A CONTROLLED DOCUMENT.

DWN: HS BAE	CHK: BM JANG	APVD: CS LEE	PRODUCT SPEC
APPLICATION SPEC			
WEIGHT			
CUSTOMER DRAWING			

TE Connectivity

NAME: MQS 14P CAP ASSEMBLY

SIZE: A2 CAGE CODE: 00779 DRAWING NO: C-936126

RESTRICTED TO: -

SCALE: 2:1 SHEET: 1 OF 1 REV: C