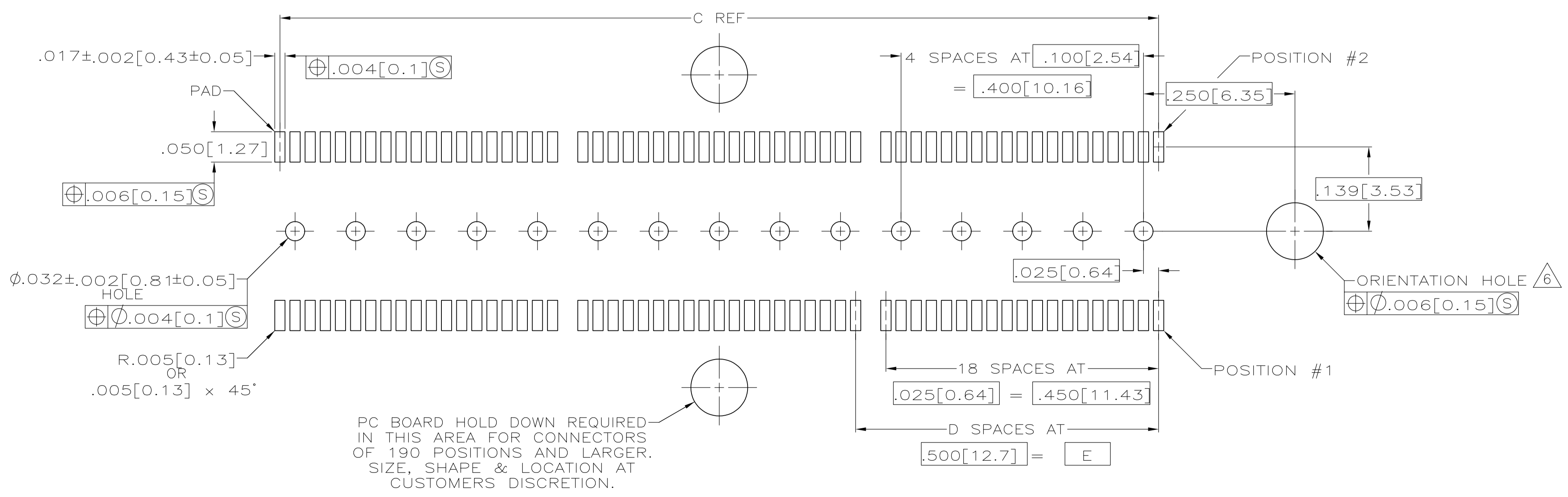
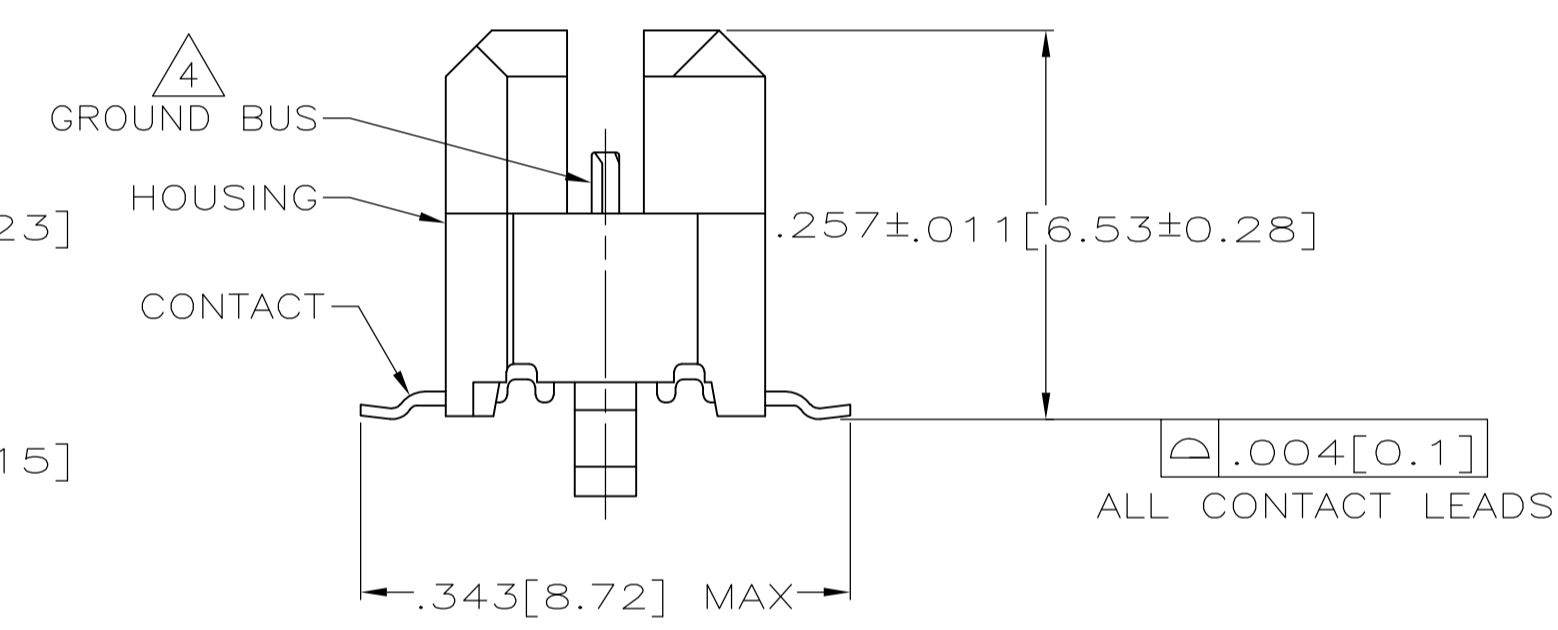
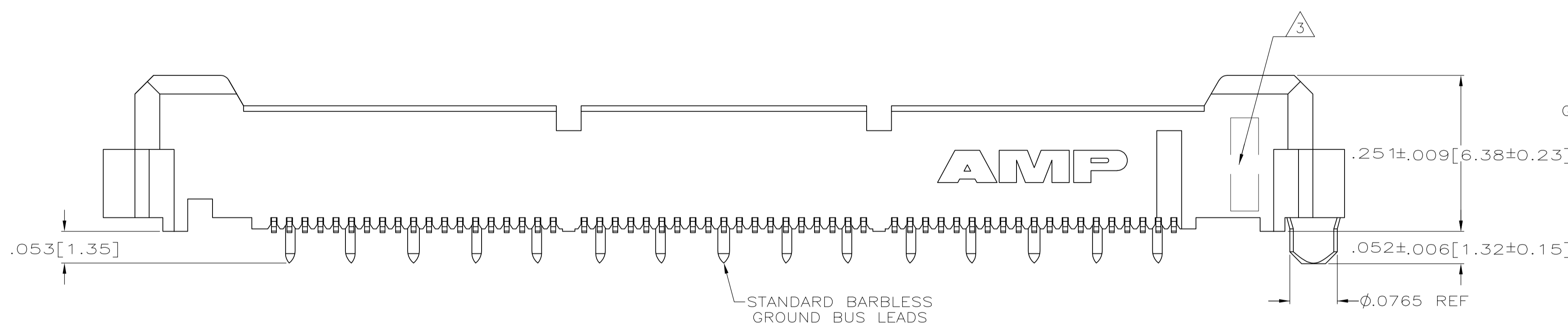


- 1 HOUSING: LIQUID CRYSTAL POLYMER, COLOR BLACK.
CONTACTS: HIGH RELIABILITY COPPER ALLOY.
GROUND BUSES: BRASS, UNS C26000
- 2 CONTACTS & GROUND BUSES: NICKEL UNDERPLATE ALL OVER,
MATING SURFACE PLATED TO MEET LEVEL 1 PERFORMANCE
REQUIREMENTS OF TE PRODUCT SPECIFICATION 108-1422,
SOLDER TAILS PLATED TIN-LEAD.
- 3 DATE CODE MARKED IN AREA INDICATED ON SIDE OPPOSITE
POSITION #1.
- 4 ONE GROUND BUS WITH 5 TAILS PER EACH MODULE.
- 5 TOLERANCE NON-ACCUMULATIVE.
- 6 FOR STANDARD APPLICATIONS, ORIENTATION HOLE TO BE
 $\phi.094\pm.002[2.39\pm0.05]$.
FOR SLIP-FIT APPLICATIONS, ORIENTATION HOLE TO BE
 $\phi.079\pm.001[2.00\pm0.03]$.



RECOMMENDED PC BOARD LAYOUT
(VIEWED FROM CONNECTOR SIDE)

4.724[120]	3.000[76.2]	6	3.450[87.63]	3.898[99.01]	4.000[101.6]	266	767116-7
4.094[104]	2.500[63.5]	5	2.950[74.93]	3.398[86.31]	3.500[88.9]	228	767116-6
3.465[88]	2.000[50.8]	4	2.450[62.23]	2.898[73.61]	3.000[76.2]	190	767116-5
3.465[88]	1.500[38.1]	3	1.950[49.53]	2.398[60.91]	2.500[63.5]	152	767116-4
2.835[72]	1.000[25.4]	2	1.450[36.83]	1.898[48.21]	2.000[50.8]	114	767116-3
2.205[56]	.500[12.7]	1	.950[24.13]	1.398[35.51]	1.500[38.1]	76	767116-2
1.732[44]	.000[0]	0	.450[11.43]	.898[22.81]	1.000[25.4]	38	767116-1
F	E	D	C	B	A	NO OF POS	PART NUMBER

THIS DRAWING IS A CONTROLLED DOCUMENT.

DIMENSIONS: INCHES	TOLERANCES UNLESS OTHERWISE SPECIFIED:	DIN J. GERACE 12-11-98	TE Connectivity
0 PLC ± -	1 PLC ± -	2 PLC ± -	
3 PLC ± .005(0.13)	4 PLC ± -	APVD S. STRICKLER 12-11-98	NAME
MATERIAL	FINISH	APVD A. MONK 12-11-98	PRODUCT SPEC
			108-1422
			APPLICATION SPEC
			114-11004
			SIZE
			114-11004
			WEIGHT
			A1 00779
			C=767116
			CUSTOMER DRAWING

SCALE 8:1 SHEET 1 OF 1 REV D1