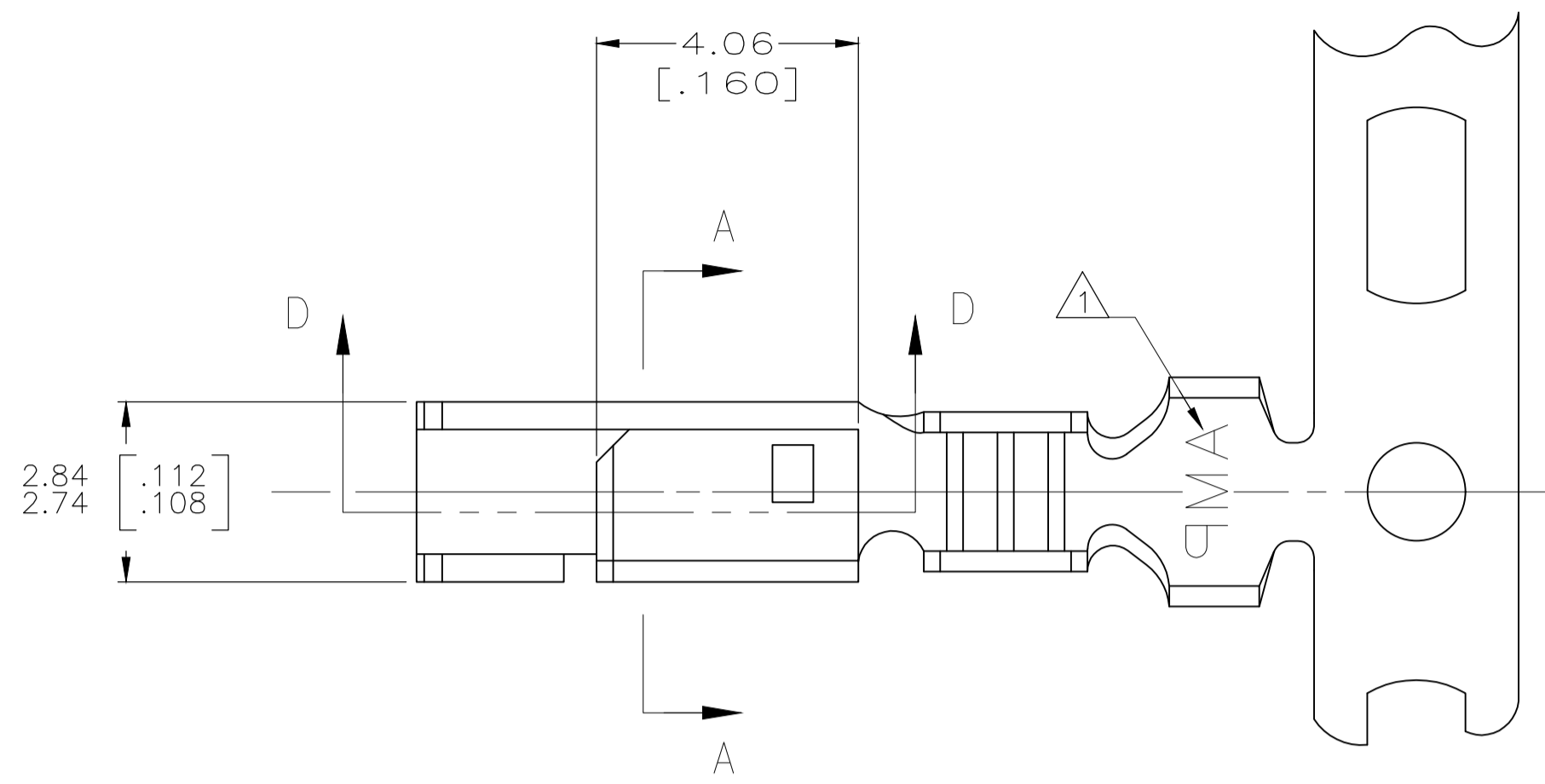
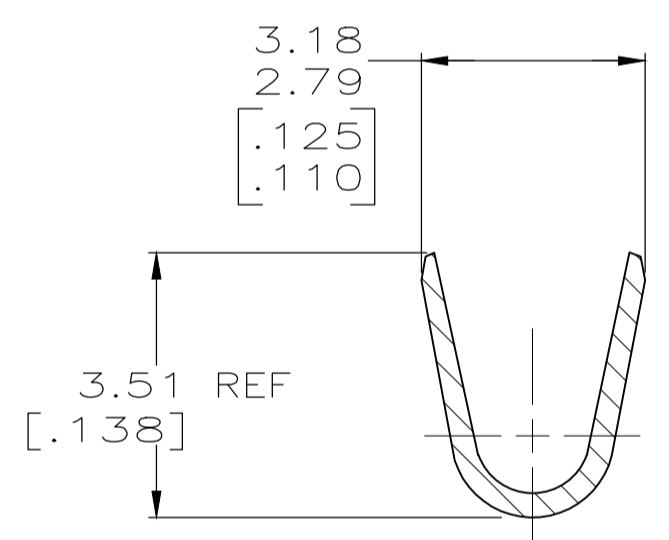
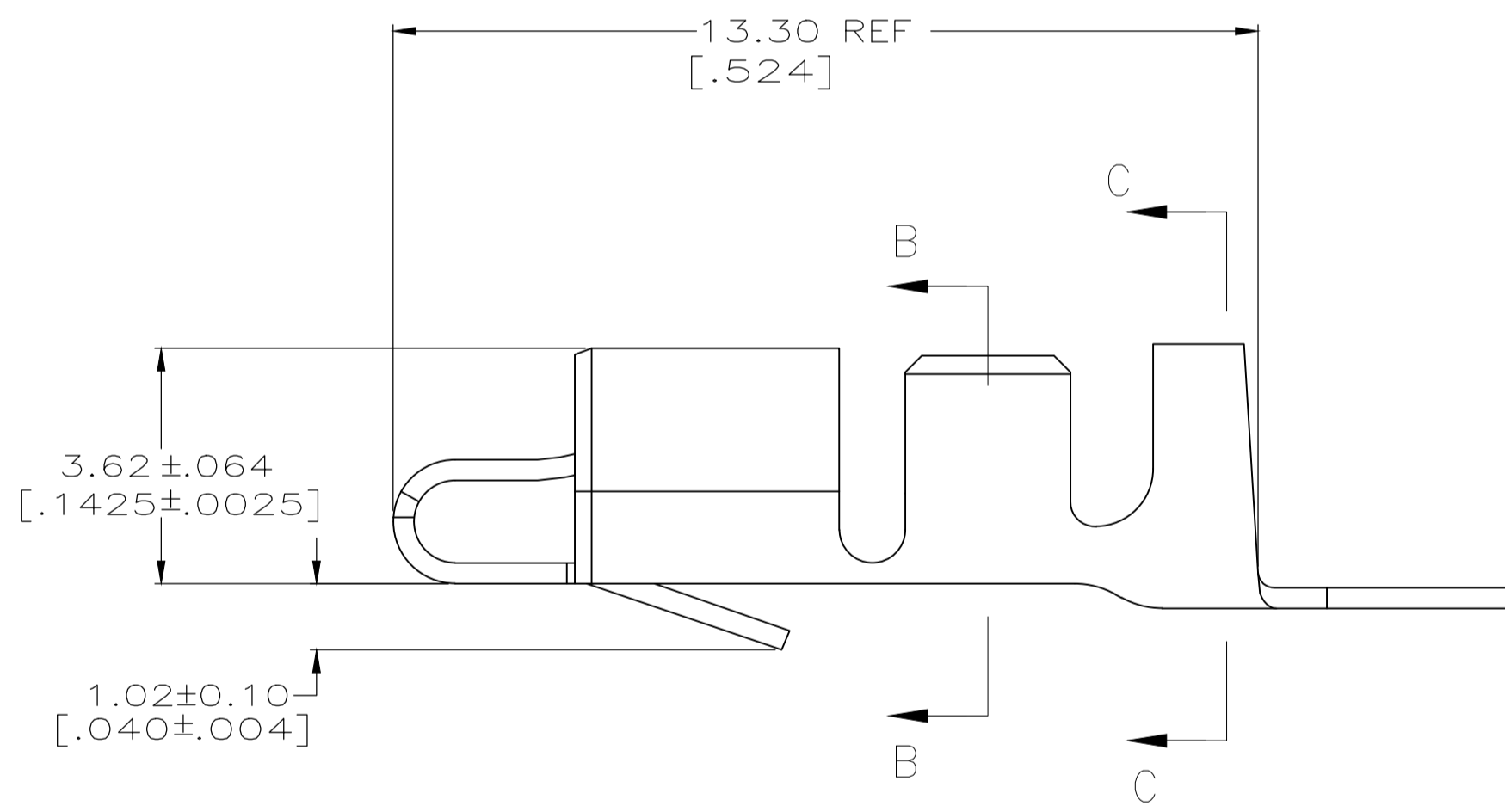
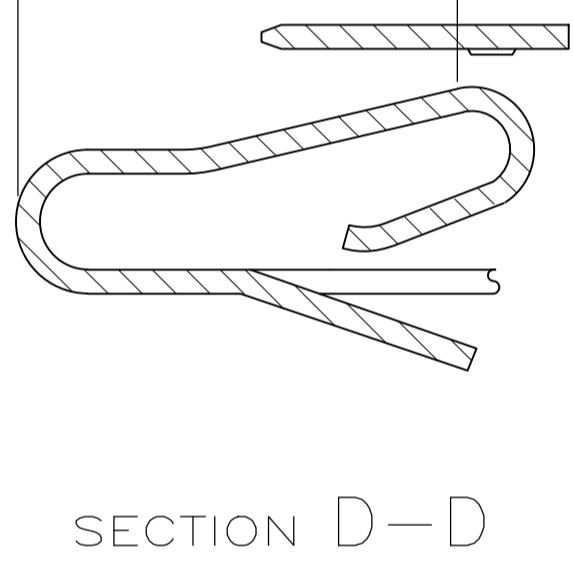


REVISIONS				
P	LTR	DESCRIPTION	DATE	BY
E		REVISED PER ECR-18-019874	19MAR2019	BDA SG

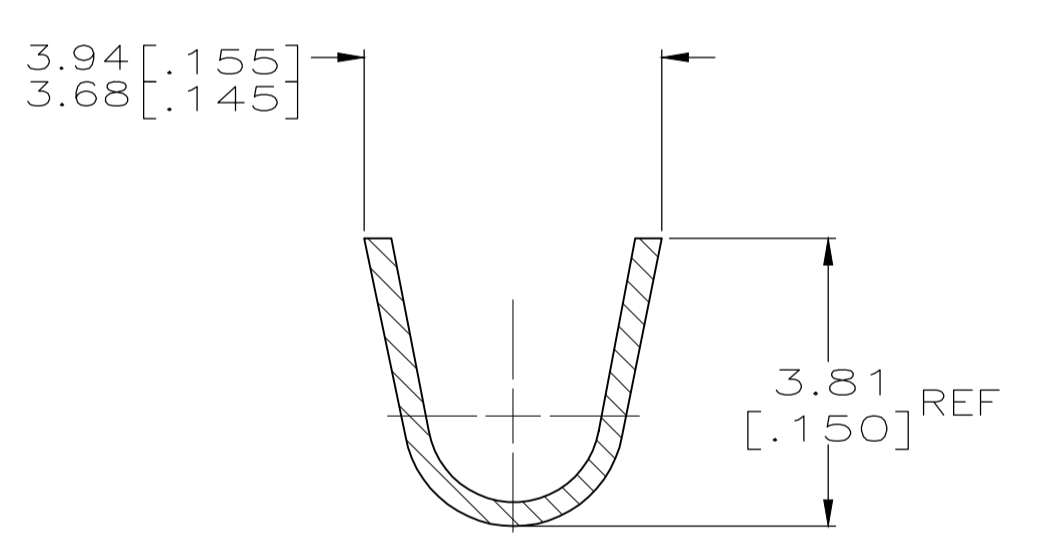
- INSULATION RANGE: 1.78-2.84 [.070-.112]  
WIRE RANGE: NOT TO EXCEED 2550-2800 CMA (1.29-1.42 mm<sup>2</sup>) (LIMITED 16 AWG RANGE).
- 0.00203 [.000080] MIN MATTE TIN-LEAD OVER  
0.00127 [.000050] MIN NICKEL.
- 0.00076 [.000030] MIN THICK GOLD STRIPES IN LOCALIZED PLATE AREA ON BEAM AND DIMPLE OVER  
0.00127 [.000050] MIN THICK NICKEL OVER ENTIRE CONTACT.
- DIMENSIONS IN BRACKETS ARE IN INCHES.
- FOR USE ONLY WITH LID STYLE HOUSING.
- 0.00203 [.000080] MIN MATTE TIN OVER  
0.00127 [.000050] MIN NICKEL.
- OBSELETE PARTS



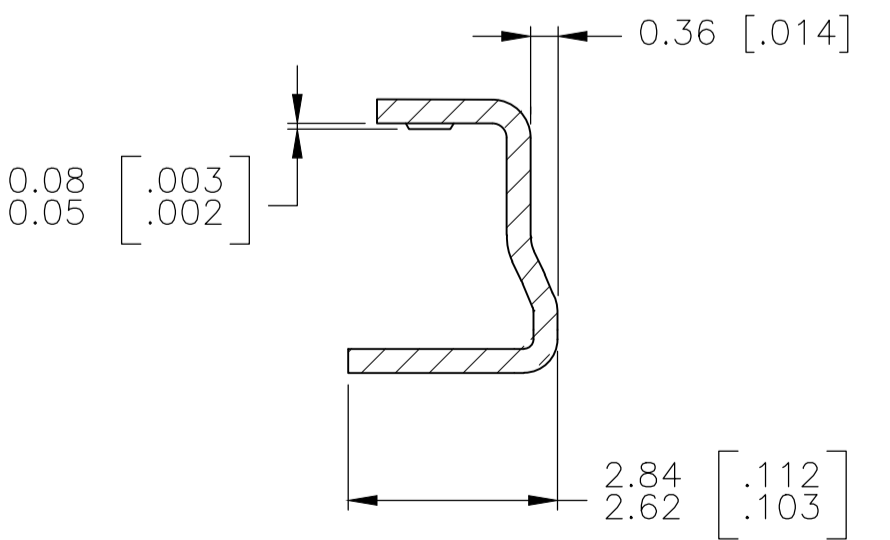
5.84 [.230]  
CENTER OF LOCALIZED PLATE AREA



SECTION B-B



SECTION C-C



SECTION A-A  
ROTATED 90° CCW

6	3-647466-1
3	647466-2
2	647466-1
FINISH	PART NUMBER

THIS DRAWING IS A CONTROLLED DOCUMENT.		DWG: K. WHITAKER 18OCT2004	TE Connectivity Ltd.	
DIMENSIONS: mm [INCHES]		CHK: J. ELLIS 18OCT2004	SL-156 HOODED RECEPTACLE, LARGE WIRE CONTACT	
TOLERANCES UNLESS OTHERWISE SPECIFIED:		APVD: J. ELLIS 18OCT2004	NAME: 108-1049	
0. PLC ± -	1. PLC ± -	PRODUCT SPEC: 108-1049		
2. PLC ± 0.13 [.005]	3. PLC ± -	APPLICATION SPEC: 114-1021		
4. PLC ± -	ANGLES ± -	SIZE: A1	CAGE CODE: 00779	DRAWING NO: 647466
MATERIAL: PH BRZ	FINISH: SEE TABLE	WEIGHT: 0.00779	SCALE: 10:1	SHEET: 1 OF 1
CUSTOMER DRAWING		REV: E		