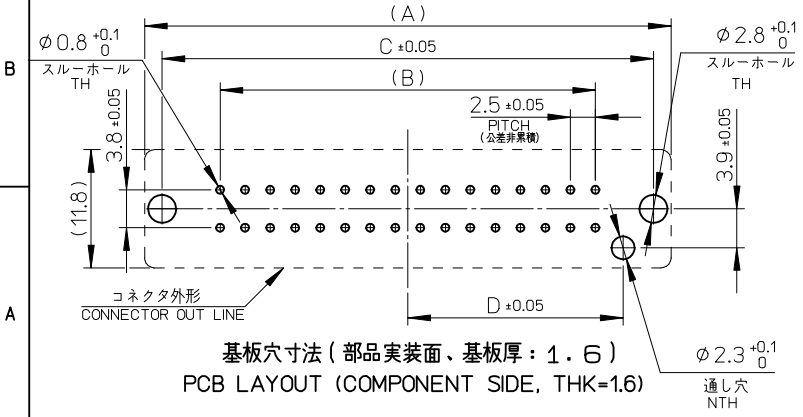


注記:  
NOTES

1. 材質 MATERIAL  
ハウジング: ポリブチレンテレフタレート (PBT)、ガラス充填、UL94V-0、黒色  
HOUSING: POLYBUTYLENE TEREPHTHALATE (PBT), GLASS FILLED, UL94V-0, BLACK  
ターミナル: 銅合金 (t=0.5)  
TERMINAL: COPPER ALLOY (t=0.5)  
金具: りん青銅 (t=0.48)  
METAL PEG: PHOSPHOR BRONZE (t=0.48)
2. メッキ仕様 FINISHES  
ターミナル TERMINAL  
接点部: ニッケル下地金メッキ  
CONTACT AREA: GOLD OVER NICKEL PLATING.  
金メッキ 0.1マイクロメートル以上  
GOLD 0.1 MICROMETERS MINIMUM  
ニッケル下地メッキ 1.0マイクロメートル以上  
NICKEL 1.0 MICROMETERS MINIMUM  
半田付け部: ニッケル下地メッキ  
SOLDER TAIL: TIN OVER NICKEL PLATING  
錫メッキ 1.0マイクロメートル以上  
TIN 1.0 MICROMETERS MINIMUM  
ニッケル下地メッキ 1.0マイクロメートル以上  
NICKEL 1.0 MICROMETERS MINIMUM  
金具: ニッケル下地メッキ  
METAL PEG: TIN OVER NICKEL PLATING  
錫メッキ 1.0マイクロメートル以上  
TIN 1.0 MICROMETERS MINIMUM  
ニッケル下地メッキ 1.0マイクロメートル以上  
NICKEL 1.0 MICROMETERS MINIMUM
3. 嵌合相手: 503369-\*\*00  
MATING CONNECTOR: 503369-\*\*00
4. 回路番号 1, 2: (N-1), N極目に適用 (N: 極数).  
APPLICABLE TO CIRCUITS NO. 1, 2, N-1 AND N (N: CIRCUITS SIZE).
5. 回路番号 3~(N-2) 極目に適用 (N: 極数).  
APPLICABLE TO CIRCUITS NO. 3-N-2 (N: CIRCUITS SIZE).
6. 製品仕様及び取り扱いについては、製品仕様書 PS-503367-001 及び、コネクタ取扱説明書 AS-503367-001 を参照願います。  
PLEASE REFER TO PRODUCTS SPECIFICATION PS-503367-001 AND USER'S MANUAL AS-503367-001.
7. ELV及びRoHS適合品。  
ELV AND RoHS COMPLIANT.



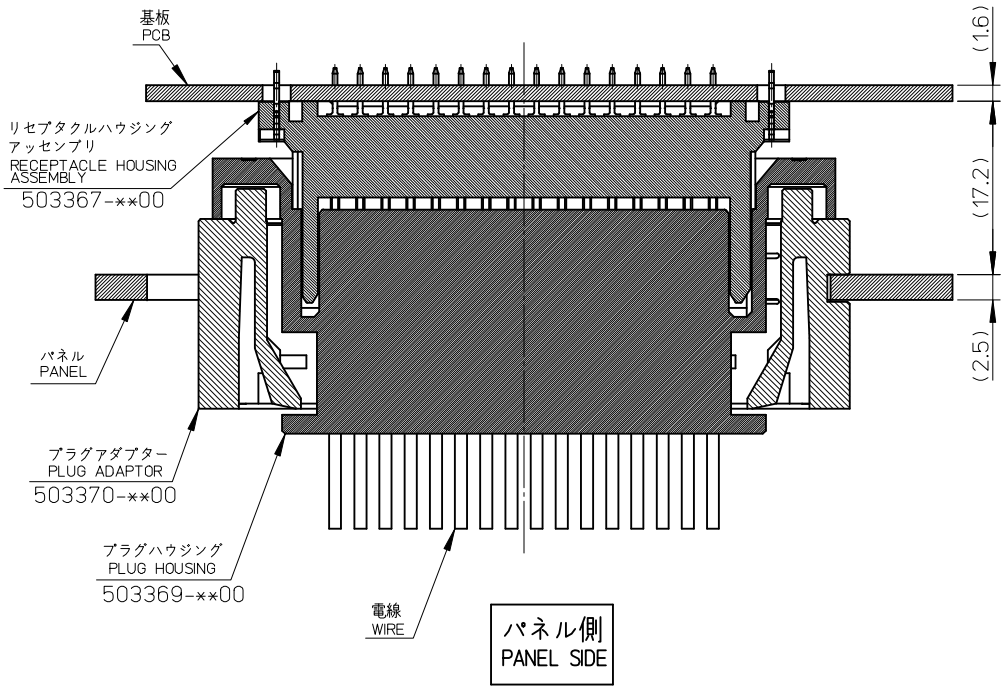
基板穴寸法 (部品実装面、基板厚: 1.6)  
PCB LAYOUT (COMPONENT SIDE, THK=1.6)

|      |      |      |      |                     |             |                |
|------|------|------|------|---------------------|-------------|----------------|
| 21.5 | 49.1 | 37.5 | 52.6 | 503367-3200         | 503367-**00 | 32             |
| 14   | 34.1 | 22.5 | 37.6 | 503367-2000         |             | 20             |
| D    | C    | B    | A    | TRAY PACKAGE        | MODEL NO.   | 極数<br>CIRCUITS |
|      |      |      |      | オーダー番号<br>ORDER No. |             |                |

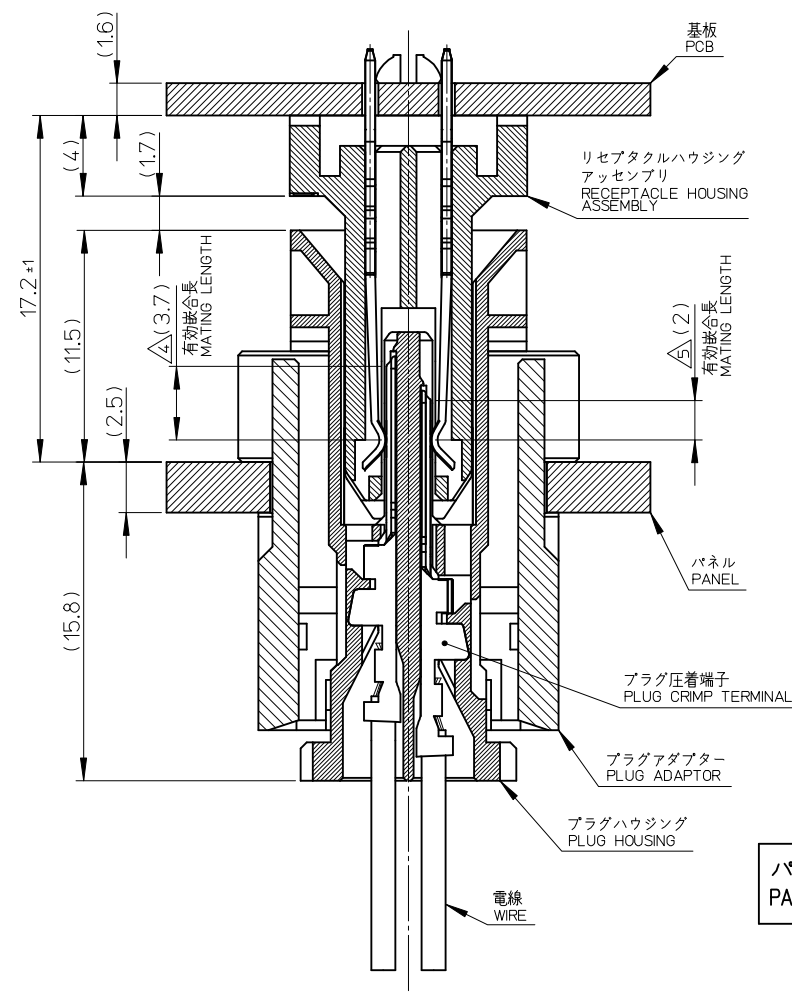
|   |                                       |              |   |                    |                                       |                        |
|---|---------------------------------------|--------------|---|--------------------|---------------------------------------|------------------------|
| RELEASED<br>EC NO: J2009-2286<br>DRAWN: KWASHIO 2009/04/15<br>CHKD: SSA003 2009/04/15<br>APPR: SICHIKAWA 2009/04/15 | GENERAL TOLERANCES (UNLESS SPECIFIED) |              | DIMENSION STYLE   | SCALE              | DESIGN UNITS                          | THIRD ANGLE PROJECTION |
|   |                                       |              | MM ONLY   | 2:1                | METRIC                                |                        |
|   | 10 UNDER                              | ±0.2         | DRAWN BY  | DATE               | TITLE                                 |                        |
|   | 10 OVER 30 UNDER                      | ±0.25        | KKOBAYASHI  | 09/04/15           | 2.5 FLOATING CONN.<br>REC. HS'G ASS'Y |                        |
|   | 30 OVER                               | ±0.3         | CHECKED BY  | DATE               |                                       |                        |
| ANGULAR   | ±3°                                   | SSAT003      | 09/04/15  |                    |                                       |                        |
| DRAFT WHERE APPLICABLE MUST REMAIN WITHIN DIMENSIONS  |                                       | APPROVED BY  | DATE  | MOLEX INCORPORATED |                                       |                        |
|   |                                       | SICHIKAWA    | 09/04/15  | MOLEX INCORPORATED |                                       |                        |
|   |                                       | MATERIAL NO. | DOCUMENT NO.  | SD-503367-001      |                                       | SHEET NO.<br>1 OF 2    |
|   |                                       | SEE CHART    |   |                    |                                       |                        |
|   |                                       | SIZE         | THIS DRAWING CONTAINS INFORMATION THAT IS PROPRIETARY TO MOLEX INCORPORATED AND SHOULD NOT BE USED WITHOUT WRITTEN PERMISSION |                    |                                       |                        |
|   |                                       | A3           |   |                    |                                       |                        |

10 9 8 7 6 5 4 3 2 1

基板側  
PCB SIDE



基板側  
PCB SIDE



パネル側  
PANEL SIDE

嵌合図

Scale 4:1

|   |                                       |   |                                  |                  |   |                        |                        |
|---|---------------------------------------|---|----------------------------------|------------------|---|------------------------|------------------------|
| RELEASED<br>EC NO.: J2009-2286<br>DRWN: KWASHIO 2009/04/15<br>CHKD: SSAT003 2009/04/15<br>APPR: SICHIKAWA 2009/04/15<br>O | GENERAL TOLERANCES (UNLESS SPECIFIED) |   | DIMENSION STYLE<br>MM ONLY       |                  | SCALE<br>2:1                                | DESIGN UNITS<br>METRIC | THIRD ANGLE PROJECTION |
|   | 10 UNDER                              | ± 0.2   | DRAWN BY<br>KKOBAYASHI           | DATE<br>09/04/15 | TITLE<br>2.5 FLOATING CONN. REC. HS'G ASS'Y |                        |                        |
|   | 10 OVER 30 UNDER                      | ± 0.25  | CHECKED BY<br>SSAT003            | DATE<br>09/04/15 | MOLEX INCORPORATED                          |                        |                        |
|   | 30 OVER                               | ± 0.3   | APPROVED BY<br>SICHIKAWA         | DATE<br>09/04/15 | DOCUMENT NO.<br>SD-503367-001               |                        |                        |
|   | ANGULAR ± 3 °                         |   | MATERIAL NO.<br>SEE SHEET 1 OF 2 |                  | SHEET NO.<br>2 OF 2                         |                        |                        |
| DRAFT WHERE APPLICABLE MUST REMAIN WITHIN DIMENSIONS  |                                       | THIS DRAWING CONTAINS INFORMATION THAT IS PROPRIETARY TO MOLEX INCORPORATED AND SHOULD NOT BE USED WITHOUT WRITTEN PERMISSION |                                  |                  |   |                        |                        |