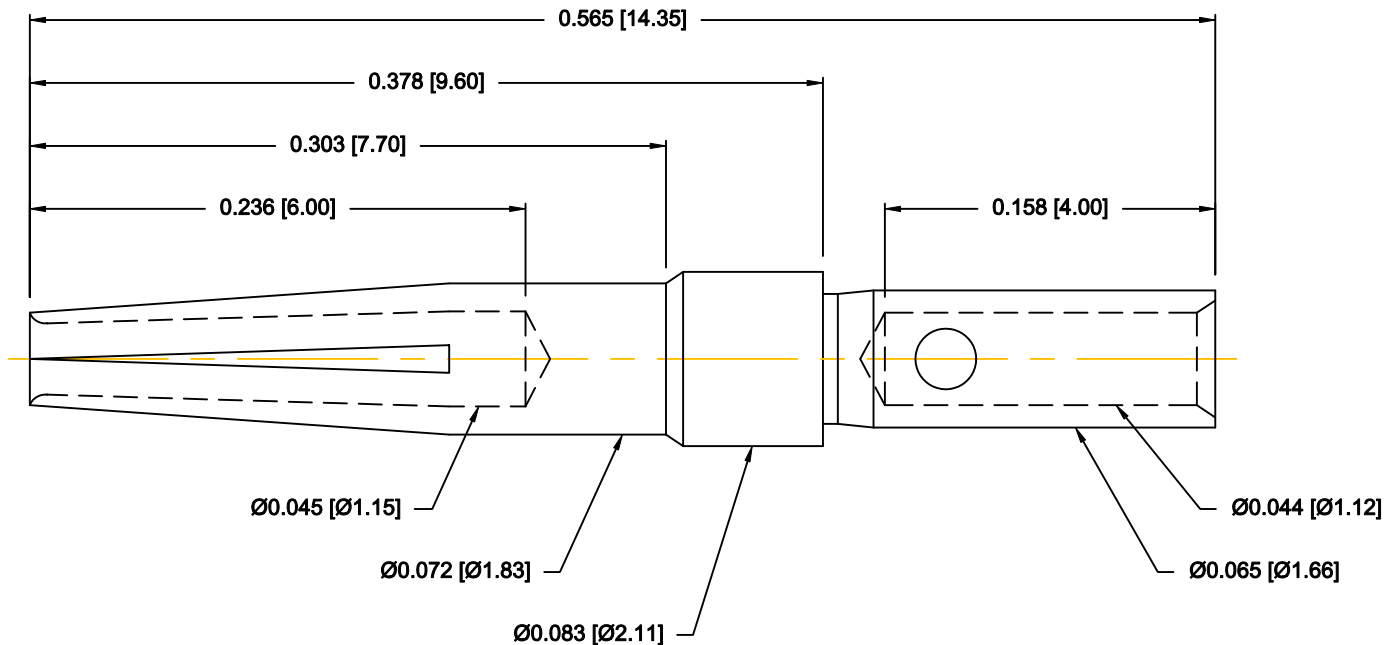


170-202-170L00Y


SUPPLIED IN BAGS OF 500

PLATING \_\_\_\_\_  
 Y = 2 10u" GOLD OVER 50u" NICKEL  
 Y = 3 30u" GOLD OVER 100u" NICKEL  
 Y = 5 50u" GOLD OVER 100u" NICKEL

WIRE SIZE: 20-26 AWG



DO NOT SCALE FROM DRAWING

	THESE DRAWINGS AND SPECIFICATIONS ARE THE PROPERTY OF NorComp AND SHALL NOT BE REPRODUCED, COPIED OR USED AS THE BASIS FOR THE MANUFACTURE OF SALE OF APPARATUS WITHOUT WRITTEN PERMISSION.		DRAWN: <b>C. SMITH</b>	DATE: <b>01-15-09</b>
			CHECKED:	DATE:
<b>NorComp</b>		SCALE: <b>10 : 1</b>	SHEET <b>1</b> OF <b>1</b>	REV <b>5</b>
		DWG NO. <b>170-202-170L00Y</b>		

RoHS COMPLIANT