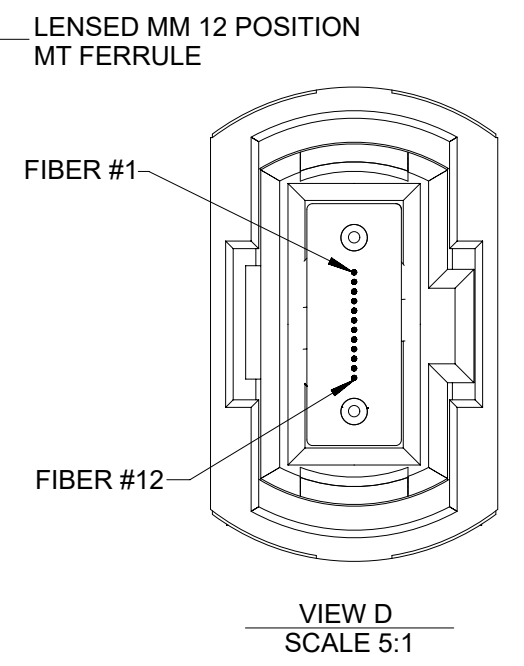
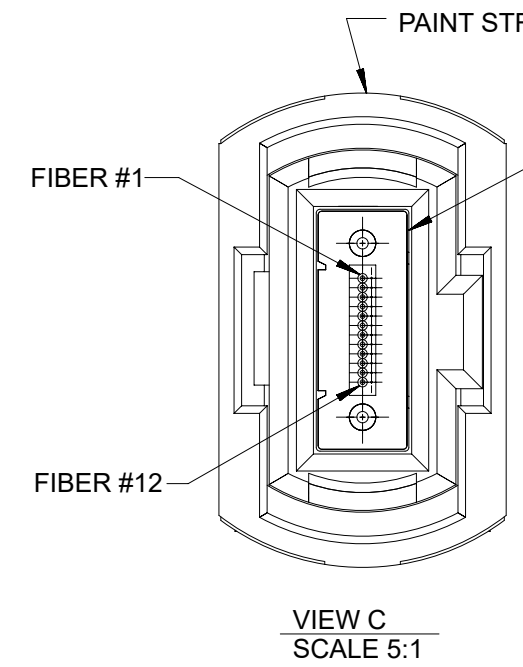
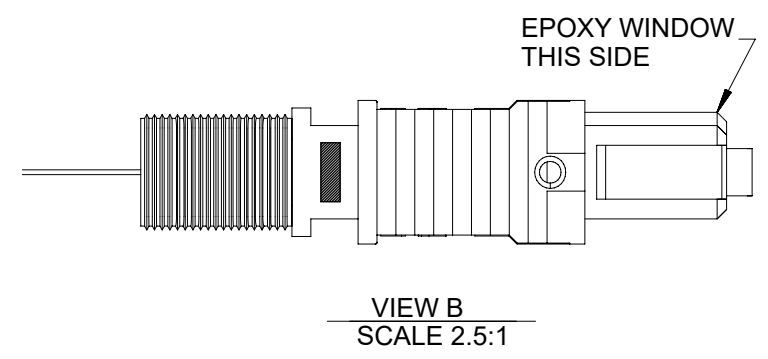
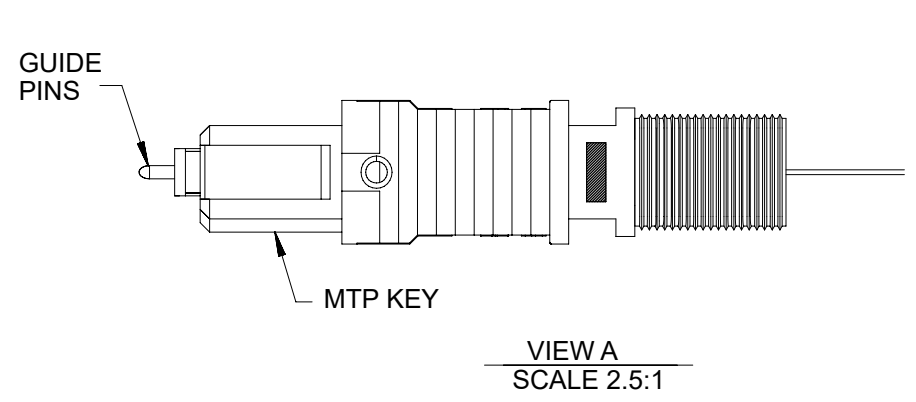
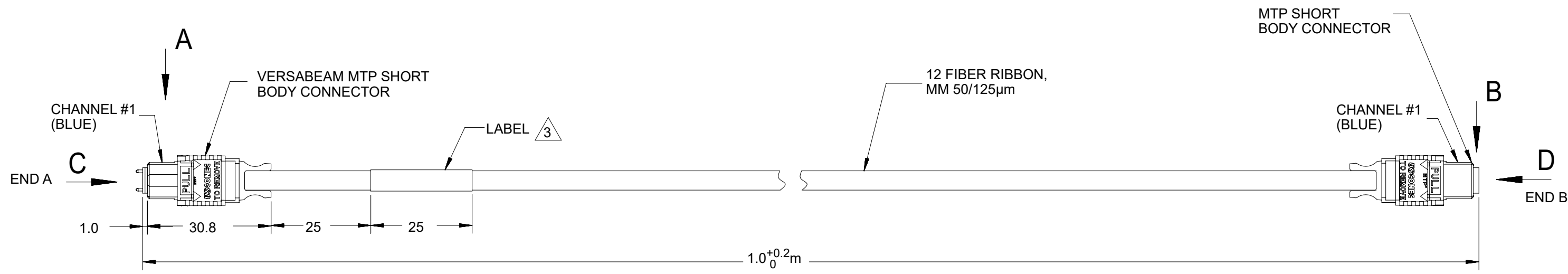


MOLEX P/N	END A CONNECTOR TYPE	END B CONNECTOR TYPE
106268-0002	MALE	FEMALE



NOTES:

- DUST CAPS ARE NOT SHOWN BUT INCLUDED.
- CONNECTOR SPECIFICATIONS:
 -MAXIMUM INSERTION LOSS @ 850nm PER CONNECTOR/CHANNEL:
 MTP LENSED- 1.0dB;
 MTP- 0.5dB.
 - TEMPERATURE RANGE:
 -5°C TO +60°C.
- LABEL IS PRINTED WITH MOLEX NAME, PART NUMBER AND SERIAL NUMBER.
 TEST DATA IS SENT WITH EACH SHIPMENT.
- THE VERSABEAM MT INTERFACE UTILIZES A LENS WITH A COLLIMATED BEAM AND CAN ONLY BE MATED TO ANOTHER VERSABEAM MT WITH A COLLIMATING LENS.

PRE-RELEASE
REFERENCE
USE ONLY

THIS DRAWING CONTAINS INFORMATION THAT IS PROPRIETARY TO MOLEX ELECTRONIC TECHNOLOGIES, LLC AND SHOULD NOT BE USED WITHOUT WRITTEN PERMISSION																														
FUNCTIONAL SYMBOLS	DIMENSION UNITS	SCALE	CURRENT REV DESC: OBSOLETE PART NUMBERS AS PER PCN#506884																											
$\nabla_A = 0$	mm	1:1	<table border="1"> <tr> <td colspan="3">GENERAL TOLERANCES (UNLESS SPECIFIED)</td> </tr> <tr> <td>4 PLACES</td> <td>±</td> <td>±</td> </tr> <tr> <td>3 PLACES</td> <td>±</td> <td>±</td> </tr> <tr> <td>2 PLACES</td> <td>±</td> <td>±</td> </tr> <tr> <td>1 PLACE</td> <td>±</td> <td>±</td> </tr> <tr> <td>0 PLACES</td> <td>±</td> <td>±</td> </tr> <tr> <td colspan="3">ANGULAR TOL ± 0.5°</td> </tr> </table>							GENERAL TOLERANCES (UNLESS SPECIFIED)			4 PLACES	±	±	3 PLACES	±	±	2 PLACES	±	±	1 PLACE	±	±	0 PLACES	±	±	ANGULAR TOL ± 0.5°		
GENERAL TOLERANCES (UNLESS SPECIFIED)																														
4 PLACES	±	±																												
3 PLACES	±	±																												
2 PLACES	±	±																												
1 PLACE	±	±																												
0 PLACES	±	±																												
ANGULAR TOL ± 0.5°																														
DIVISIONAL SYMBOLS	THIRD ANGLE PROJECTION		DRAWING		SERIES	MATERIAL NUMBER	CUSTOMER	DOCUMENT NUMBER	DOC TYPE	DOC PART	REVISION																			
$\nabla_B = 0$			B-SIZE		106268	SEE TABLE	GENERAL MARKET	SD-106268-0002	PSD	001	F																			
$\nabla_C = 0$	DRAFT WHERE APPLICABLE MUST REMAIN WITHIN DIMENSIONS		SERIES		106268	SEE TABLE	GENERAL MARKET	SD-106268-0002	PSD	001	F																			
EC NO: 662763			DRWN: SKANDB			2021/01/27			PRODUCT CUSTOMER DRAWING																					
CHK'D: GGA			2021/06/01			APPR: GGA			2021/06/01																					
INITIAL REVISION:			DRWN: YBEDNYAK			2010/10/12			2010/10/12																					
APPR:			2010/10/12			2010/10/12			2010/10/12																					
DOCUMENT STATUS			P1			RELEASE DATE			2021/06/01 13:36:37																					