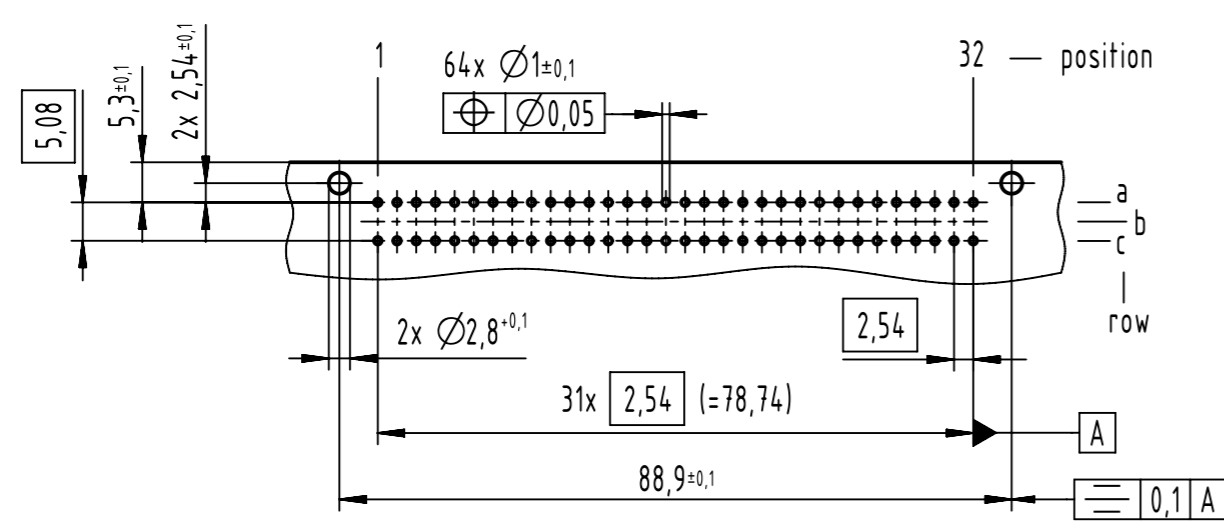


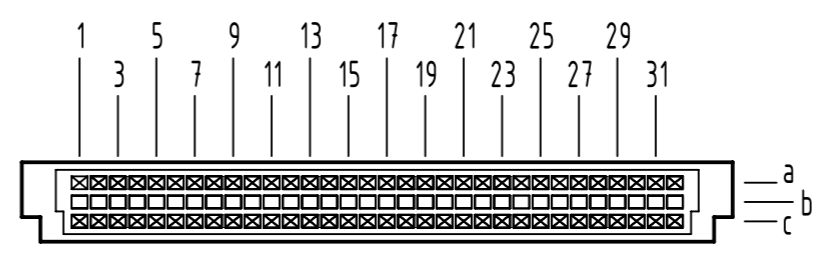
1 2 3 4 5 6 7 8

A
B
C
D
E
F

A
board drillings

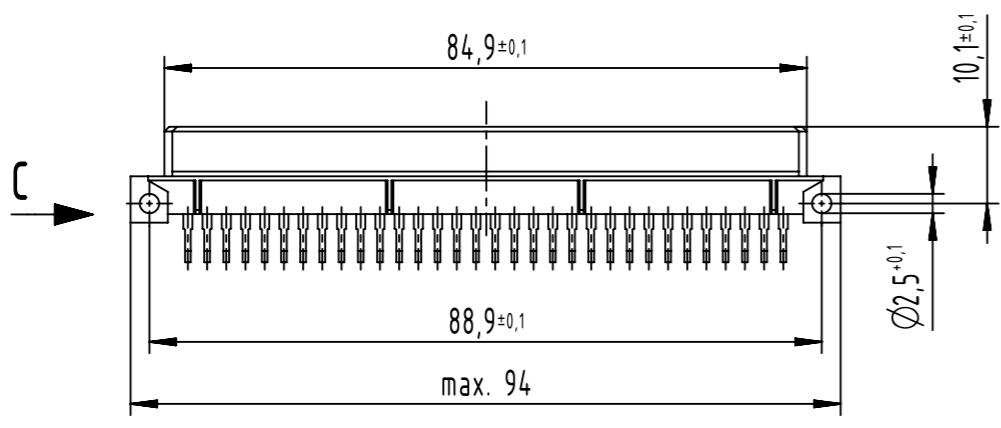


B
contact arrangement

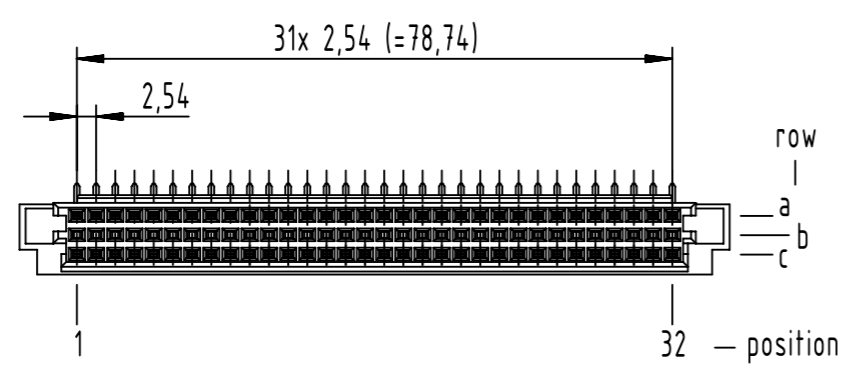
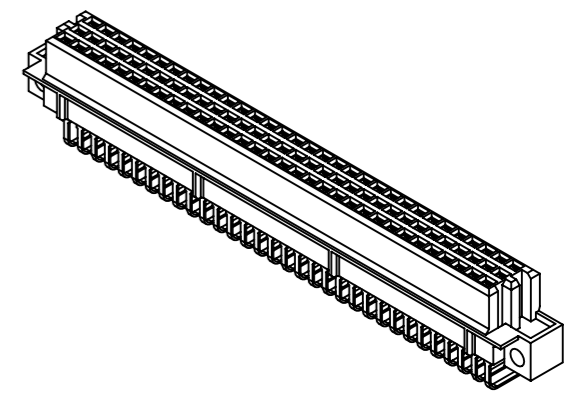
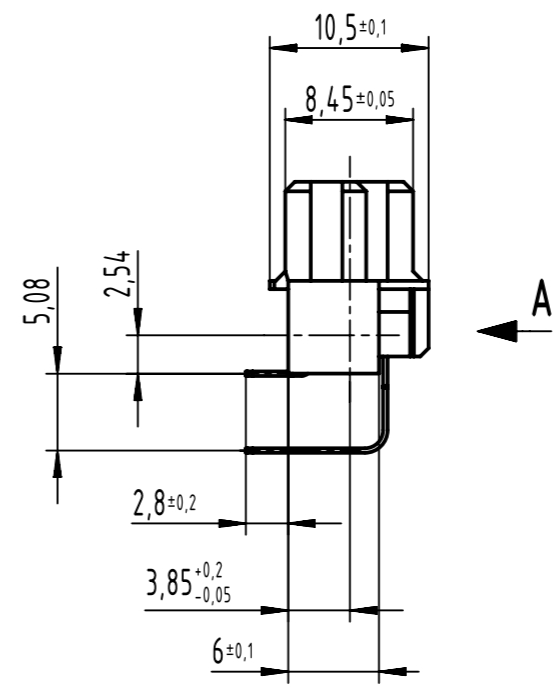


64 signal contacts
 ☒ = position with contact
 □ = position without contact

B



C (2:1)



further information see product data sheet

09 73 264 7801	3
09 73 264 6801	2
09 73 264 2801	1
part no.	performance level

	All Dimensions in mm Original Size DIN A3		Scale 1:1	Free size tol. IEC 60603-2	Ref. Sub. TB 09 73 264 x801 / Mod. 36420 / 16.08.2011	
	All rights reserved Department EL PD		Created by STORCK	Inspected by LEHNERT	Standardisation 302077	Date 2021-06-02
HARTING D-32339 Espelkamp		Title DIN Signal type R female solder angled 64-pole			Doc-Key / ECM-Nr. 100104712/UGD/043/B 500000195862	
		Type TB	Number 0973264X801		Rev. B	Page 1/1

1 2 3 4 5 6 7 8

A
B
C
D
E
F