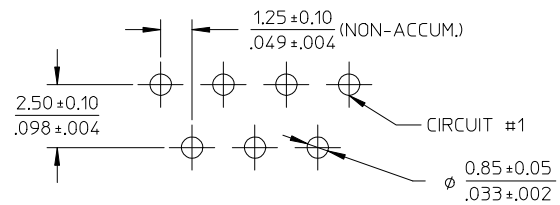
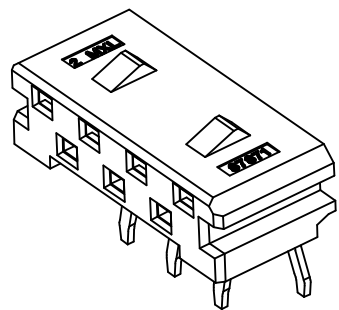
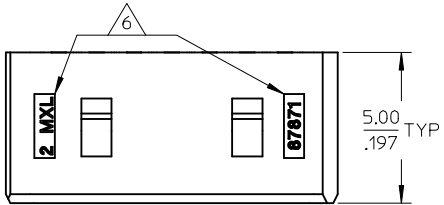
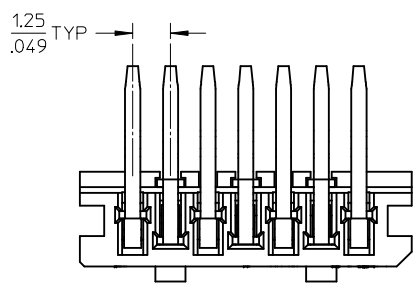


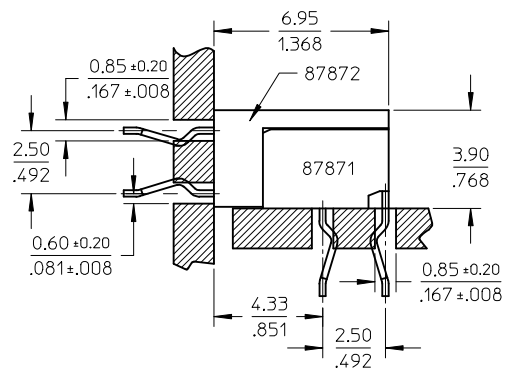
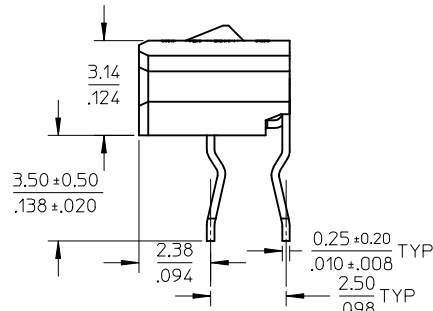
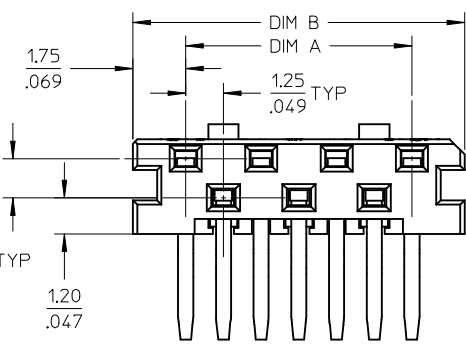
10 9 8 7 6 5 4 3 2 1

PART NUMBER IN T&R	PART NUMBER IN TUBE	CKT SIZE	DIM A	DIM B
— # —	87871-2203	3	2.5	6.0
— # —	87871-2205	5	5.0	8.5
— # —	87871-2207	7	7.5	11.0
87871-2409	87871-2209	9	10.0	13.5
— # —	87871-2211	11	12.5	16.0
— # —	87871-2213	13	15.0	18.5
— # —	87871-2215	15	17.5	21.0
— # —	87871-2217	17	20.0	23.5
— # —	87871-2219	19	22.5	26.0
— # —	87871-2221	21	25.0	28.5



**RECOMMENDED PCB LAYOUT
(BOARD THICKNESS : 1.6MM)**

- NOTES
- MATERIAL : HOUSING - HIGH TEMP THERMOPLASTIC, GLASS FILLED, UL94 V-0, COLOR : NATURAL
TERMINAL - PHOSPHOR BRONZE
 - FINISHES : TERMINAL - TIN OVERALL
THICKNESS=3.0 MICROMETER/118 MICROINCH MINIMUM
 - PRODUCT SPECIFICATION : PS-87871-006
 - PART MATEABLE TO 87872-11**
 - PARTS ARE PACKED IN TUBE.
 - PART NUMBER & CAVITY IDENTIFICATION NUMBER



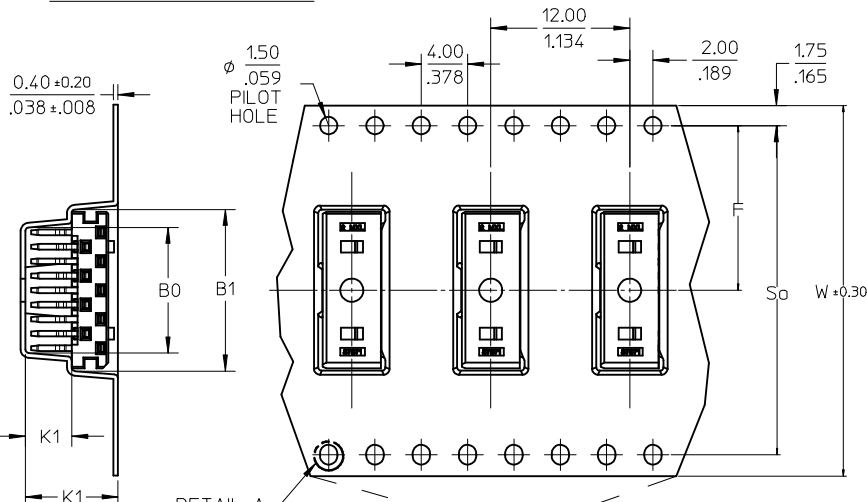
GENERAL TOLERANCES (UNLESS SPECIFIED)				DIMENSION STYLE		SCALE	DESIGN UNITS	THIRD ANGLE PROJECTION	
				MM/IN		NTS	METRIC		
0.25 UNDER				±0.03	DRAWN BY	DATE	TITLE	SALES, ZIGZAG, 1.25MM BTB. RECEPTACLE WITH FRICTION LOCK (LEADFREE) molex DOCUMENT NO. SD-87871-001 SHEET NO. 1 OF 2	
0.25 OVER	0.5 UNDER			±0.05	BHLOW	2004/03/03			
0.5 OVER	1.0 UNDER			±0.1	CHECKED BY	DATE			
1.0 OVER	10 UNDER			±0.2	PTLIM	2004/04/14			
10 OVER	30 UNDER			±0.25	APPROVED BY	DATE			
30 OVER				±0.20	SCLOW	2004/04/14			
ANGULAR ±3 °				MATERIAL NO.		SEE TABLE			
DRAFT WHERE APPLICABLE MUST REMAIN WITHIN DIMENSIONS				SIZE A3		THIS DRAWING CONTAINS INFORMATION THAT IS PROPRIETARY TO MOLEX ELECTRONIC TECHNOLOGIES, LLC AND SHOULD NOT BE USED WITHOUT WRITTEN PERMISSION			

9 8 7 6 5 4 3 2 1

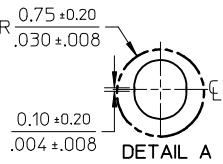
10 9 8 7 6 5 4 3 2 1

P/N IN T&R	CKT SIZE	W	F	B1	B0	S0	A1	A0	K1	K0	TYPE
87871-2409	9	32	14.20	10.80	13.90	28.4	3.10	5.10	4.00	8.00	B

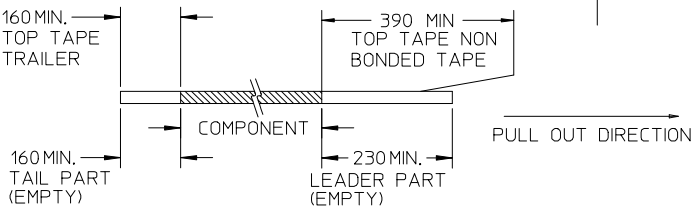
EMBOSSED CARRIER TYPE 'B'



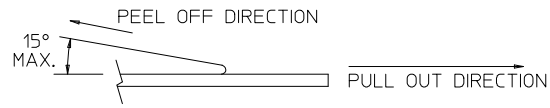
DETAIL A
ELONGATED HOLE



- NOTES:
1. LEADER AND TRAILER TAPE

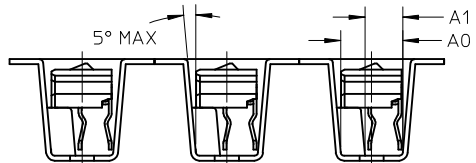
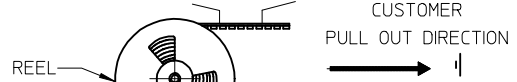
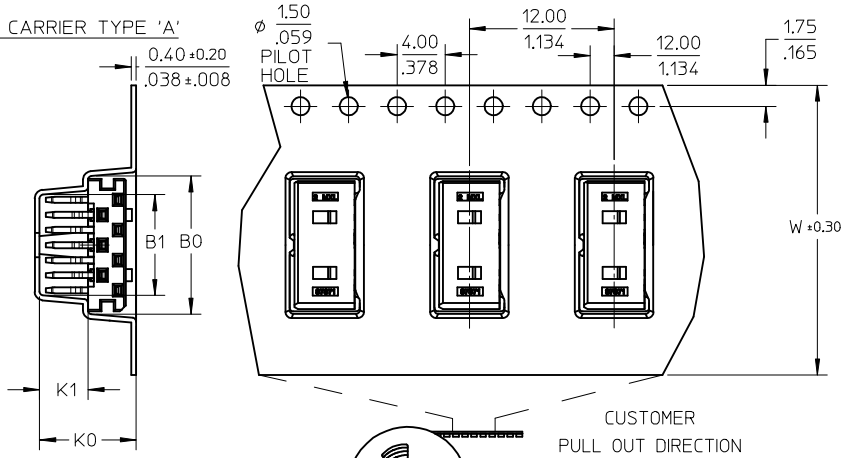


2. PEELING OFF FORCE OF THE TOP TAPE: 20 - 80gf.
(PEELING DIRECTION AS SHOWN IN FOLLOWING FIGURE)



3. TAPE AND REEL SPECIFICATION IS AS PER EIA-481.
4. THE TAPE IS TREATED FOR ANTI-STATIC.

EMBOSSED CARRIER TYPE 'A'



REVISED EC NO: J2016-0892 DRWNYI SHIDA 2016/02/22 CHKD:KTAKA03 2016/02/22 APPR:KMORIKAWA 2016/02/29	GENERAL TOLERANCES (UNLESS SPECIFIED)		DIMENSION STYLE		SCALE	DESIGN UNITS	THIRD ANGLE PROJECTION SALES, ZIGZAG, 1.25MM BTB, RECEPTACLE WITH FRICTION LOCK (LEADFREE) molex DOCUMENT NO. SD-87871-001 SHEET NO. 2 OF 2
	0.25 UNDER ±0.03		MM/IN		NTS	METRIC	
	0.25 OVER	0.5 UNDER	DRAWN BY DATE		TITLE		
	0.5 OVER	1.0 UNDER	BHLW 2004/03/03		SALES, ZIGZAG, 1.25MM BTB, RECEPTACLE WITH FRICTION LOCK (LEADFREE)		
	1.0 OVER	10 UNDER	CHECKED BY DATE		APPROVED BY DATE		
10 OVER	30 UNDER	±0.25		PTLIM 2004/04/14		MATERIAL NO.	
30 OVER	±0.20	ANGULAR ±3 °		SCLW 2004/04/14		SEE TABLE	
DRAFT WHERE APPLICABLE MUST REMAIN WITHIN DIMENSIONS		SIZE A3		THIS DRAWING CONTAINS INFORMATION THAT IS PROPRIETARY TO MOLEX ELECTRONIC TECHNOLOGIES, LLC AND SHOULD NOT BE USED WITHOUT WRITTEN PERMISSION			

9 8 7 6 5 4 3 2 1