

U\_FPGA\_PWR\_MISC  
FPGA\_PWR\_MISC.SchDoc

U\_FPGA\_CFG  
FPGA\_CFG.SchDoc

U\_B14\_B16  
B14\_B16.SchDoc

U\_B15  
B15.SchDoc

U\_B34  
B34.SchDoc

U\_B35  
B35.SchDoc

U\_B2B\_Connector  
B2B\_Connector.SchDoc

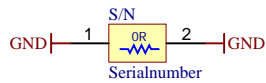
U\_POWER  
POWER.SchDoc

U\_Optical\_transceiver  
Optical\_transceiver.SchDoc

LOGO1

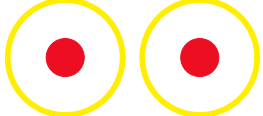
TE Logo PRINT Layer

LOGO PRINT

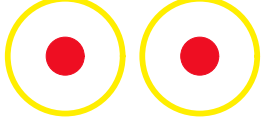


Serial  
Serial  
Serialnumber 6,3 x 6.3mm

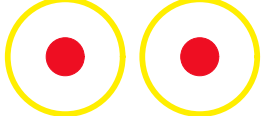
FIDU-DOT - small FIDU-DOT - small



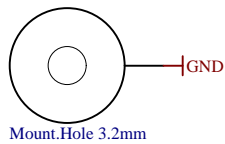
PM1 PM2  
FIDU-DOT - small FIDU-DOT - small



PM4 PM5  
FIDU-DOT - small FIDU-DOT - small



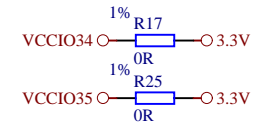
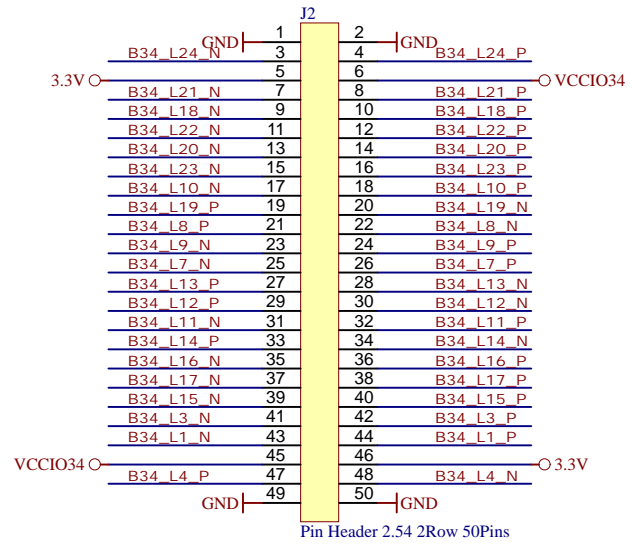
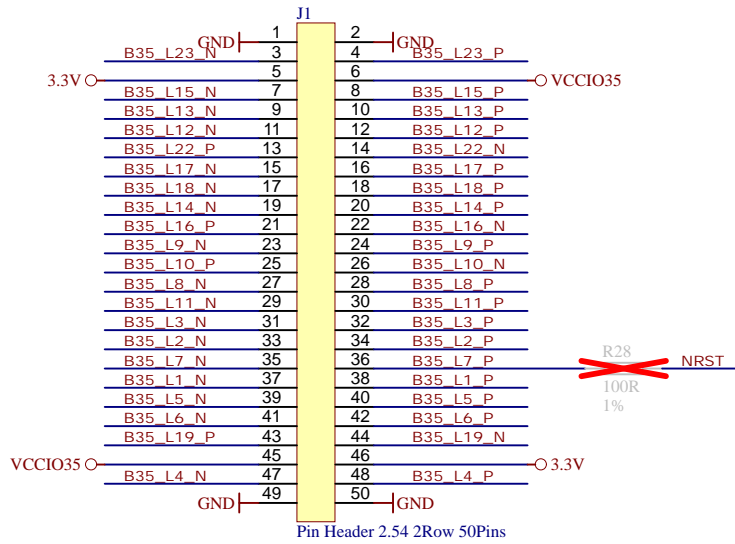
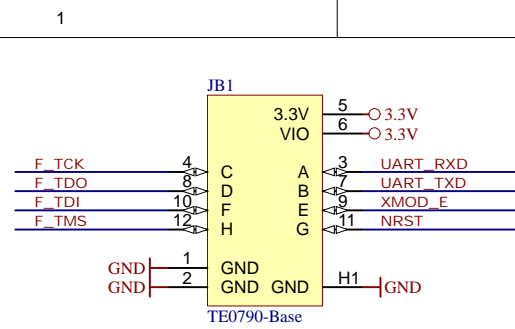
PM6 PM3



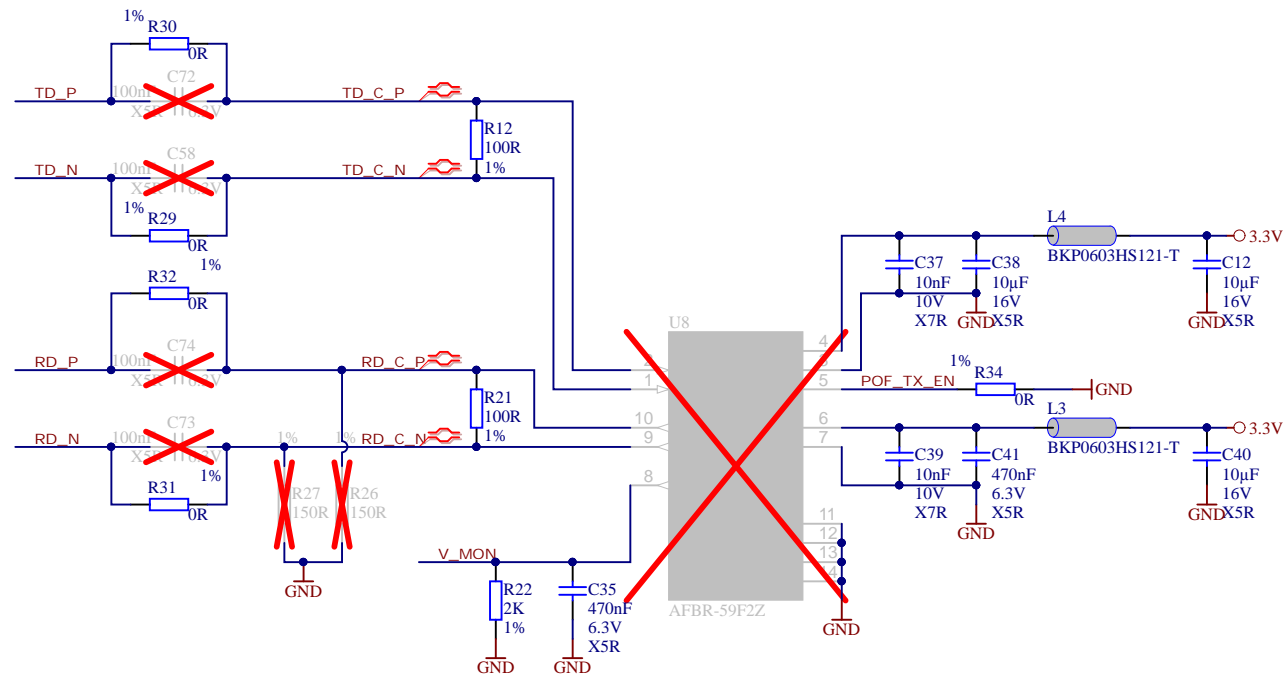
Mount.Hole 3.2mm




Title: TE0725 - Overview		
A4	Number: TE0725 TE0725-15-1C	Rev. 03
Date: 2016-06-29	Copyright: Trenz Electronic GmbH / TT	Page1 of 11
Filename: TE0725.SchDoc		



Title: TE0725 - B2B Connectors		
A4	Number: TE0725 TE0725-15-1C	Rev. 03
Date: 2016-06-29	Copyright: Trenz Electronic GmbH / TT	Page2 of 11
Filename: B2B_Connector.SchDoc		



		Title: TE0725 - Optical transceiver	
		A4	Number: TE0725 TE0725-15-1C
Date: 2016-06-29		Copyright: Trenz Electronic GmbH / TT	
Filename: Optical_transceiver.SchDoc		Page 3 of 11	



1

2

3

4

A

A

B

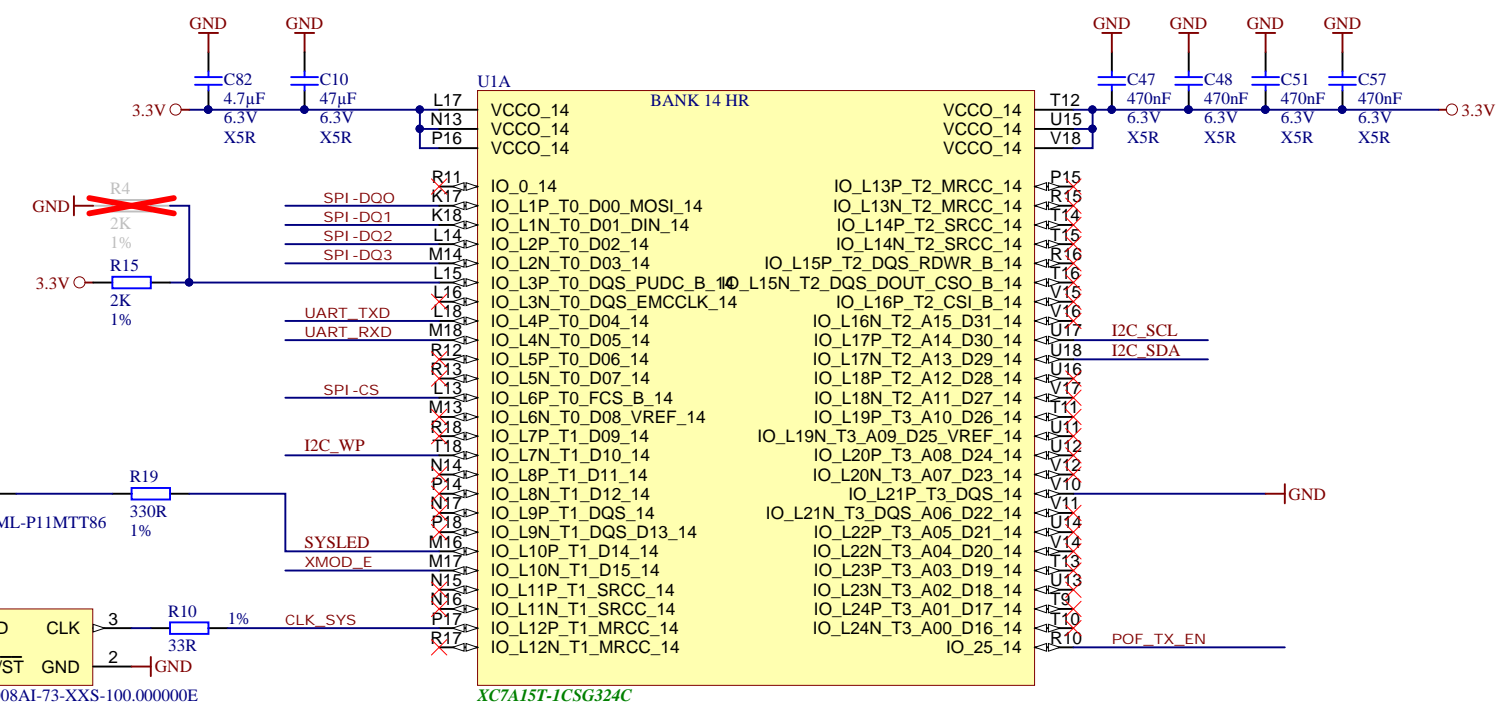
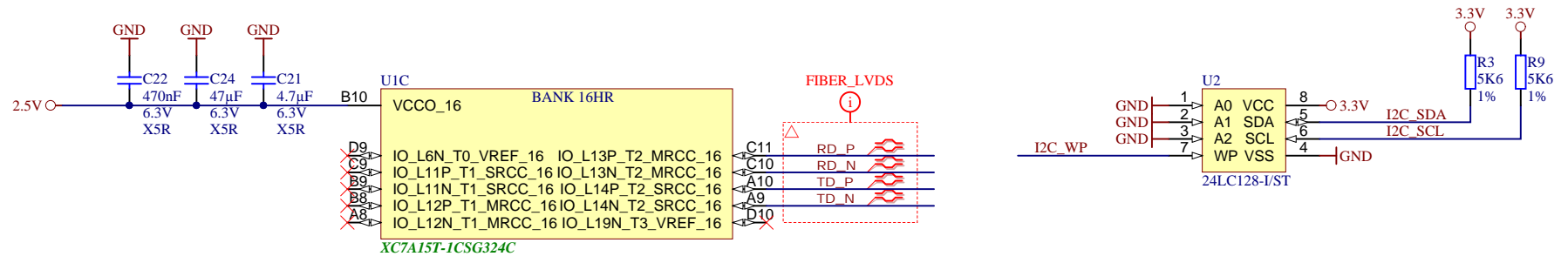

B

C

C

D

D

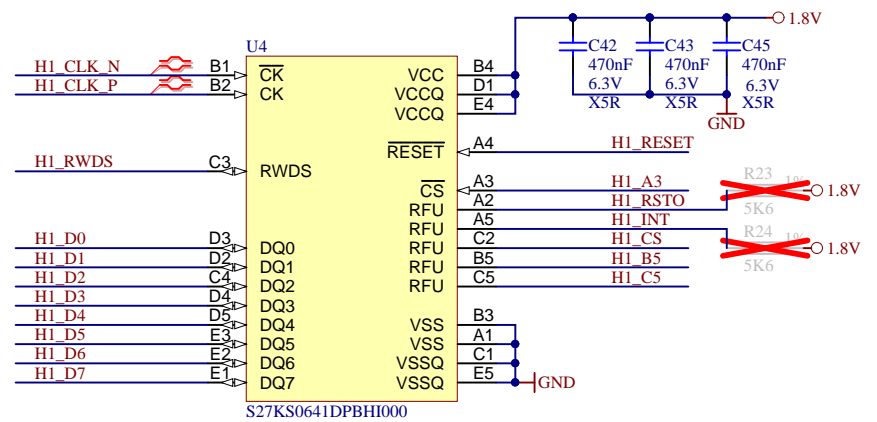
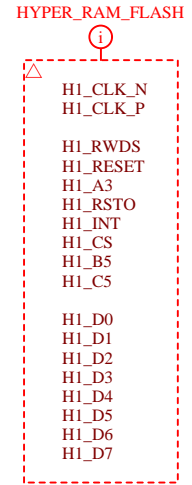
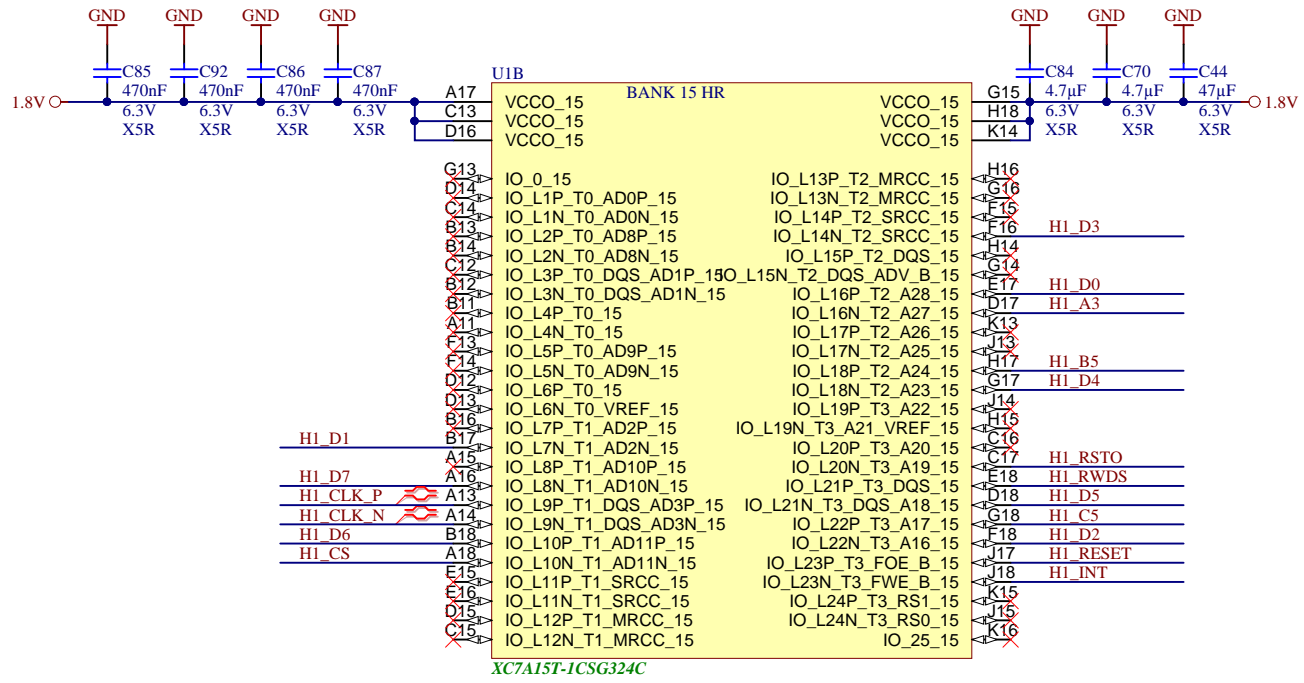
Title: TE0725 - B14 & B16		
A4	Number: TE0725 TE0725-15-1C	Rev. 03
Date: 2016-06-29	Copyright: Trenz Electronic GmbH / TT	Page5 of 11
Filename: B14_B16.SchDoc		

1

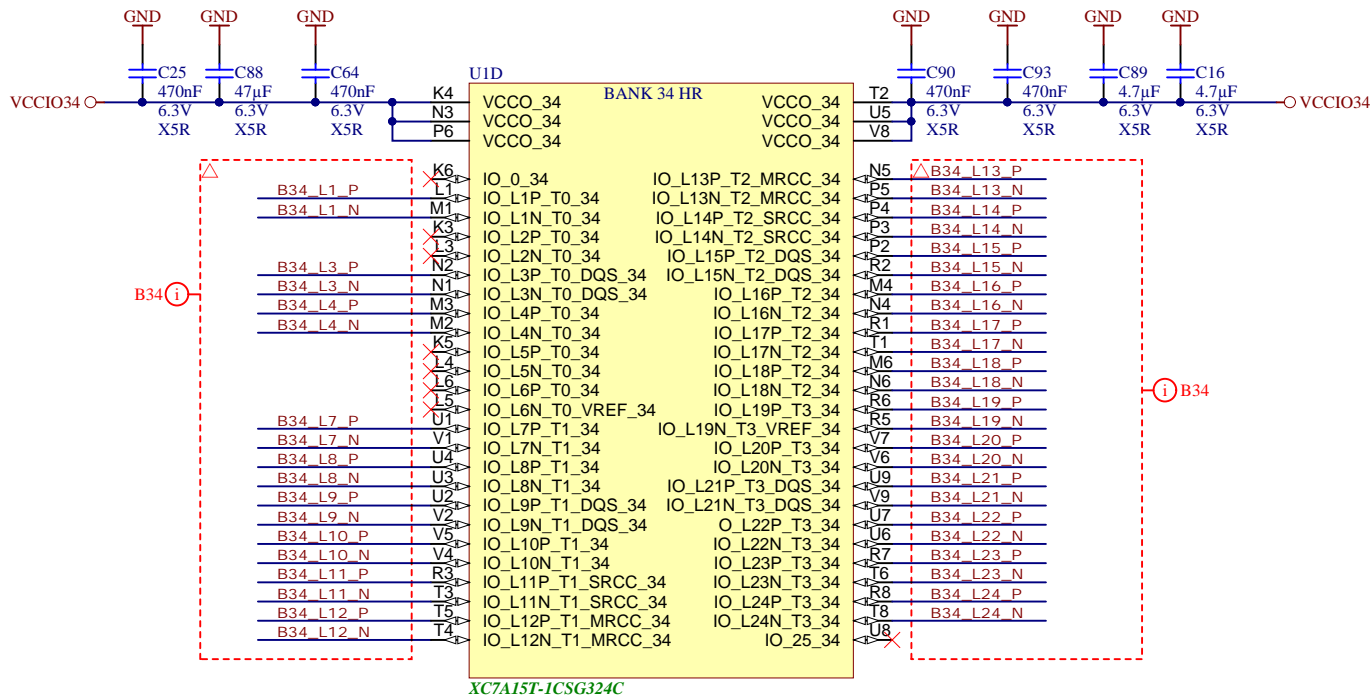
2

3

4



Title: TE0725 - B15		
A4	Number: TE0725 TE0725-15-1C	Rev. 03
Date: 2016-06-29	Copyright: Trenz Electronic GmbH / TT	Page6 of 11
Filename: B15.SchDoc		



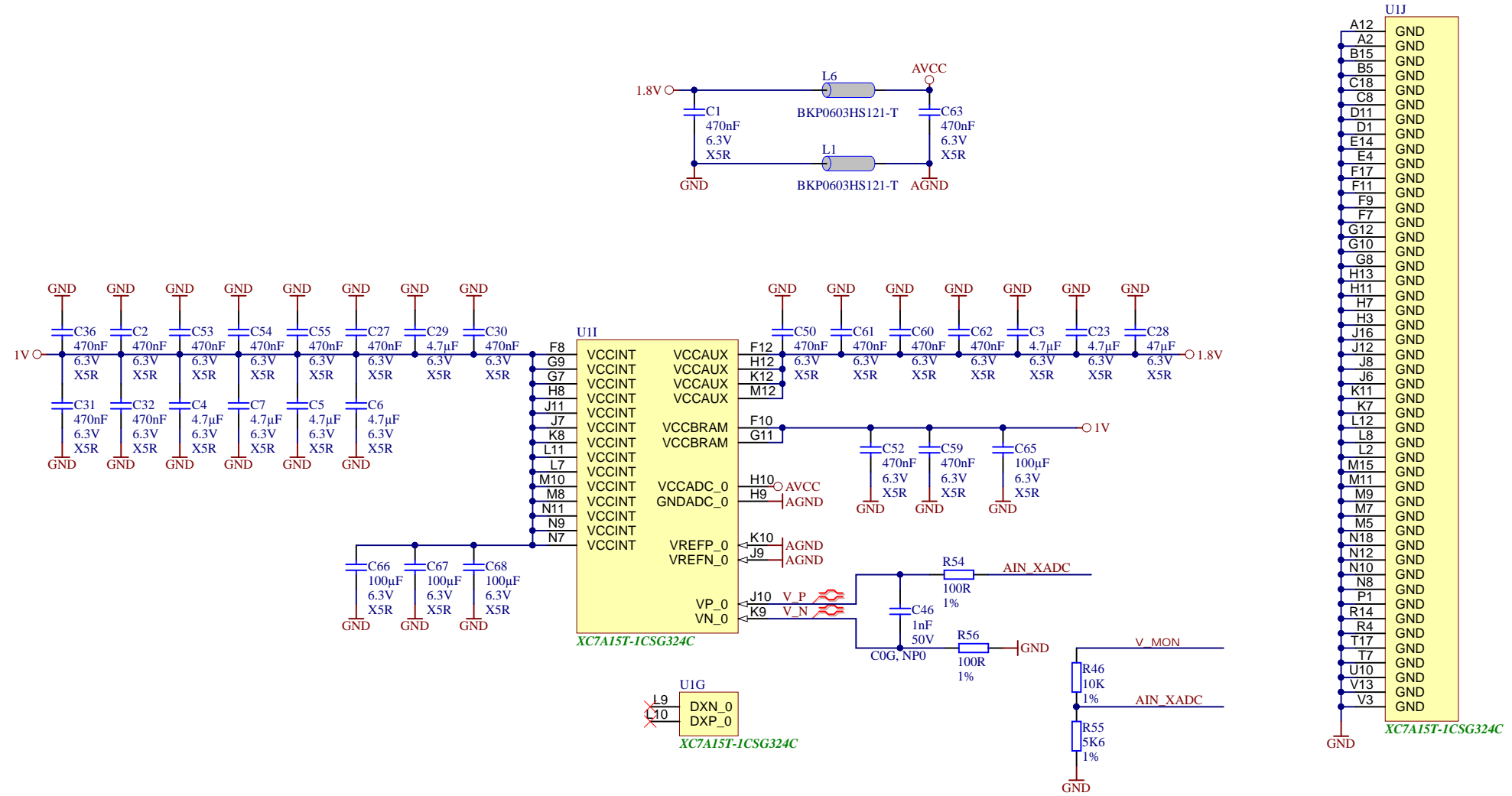
XC7A15T-1CSG324C



Title: TE0725 - B34		
A4	Number: TE0725 TE0725-15-1C	Rev. 03
Date: 2016-06-29	Copyright: Trenz Electronic GmbH / TT	Page 7 of 11
Filename: B34.SchDoc		







U1J

A12	GND
A2	GND
B15	GND
B5	GND
C18	GND
C8	GND
D11	GND
D1	GND
E14	GND
E4	GND
F17	GND
F11	GND
F9	GND
F7	GND
G12	GND
G10	GND
G8	GND
H13	GND
H11	GND
H7	GND
H3	GND
J16	GND
J12	GND
J8	GND
J6	GND
K11	GND
K7	GND
L12	GND
L8	GND
L2	GND
M15	GND
M11	GND
M9	GND
M7	GND
M5	GND
N18	GND
N12	GND
N10	GND
N8	GND
P1	GND
R14	GND
R4	GND
T17	GND
T7	GND
U10	GND
V13	GND
V3	GND

	Title: TE0725 - FPGA PWR MISC	
	A4	Number: TE0725 TE0725-15-1C
	Date: 2016-06-29	Copyright: Trenz Electronic GmbH / TT
	Filename: FPGA_PWR_MISC.SchDoc	Page9 of 11

1

2

3

4

1

2

3

4



1

2

3

4

CHANGES REV02 to REV03

- 1) fixed LVPECL termination for 125MBit modules
- 2) fixed wrong XADC decoupling capacitors
- 3) added serial number (traceability pad)
- 4) added thermal vias to mounting holes

A

A

B

B

C

C

D

D



Title: <b>TE0725 - Changes list</b>			
A4	Number: <b>TE0706</b> <b>TE0725-15-1C</b>	Rev. <b>03</b>	
Date: <b>2016-06-29</b>	Copyright: <b>Trenz Electronic GmbH</b>	Page <b>11</b> of <b>11</b>	
Filename: <b>Revision_Changes.SchDoc</b>			

1

2

3

4