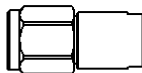
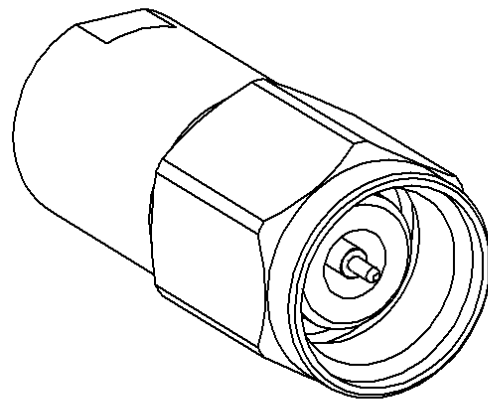
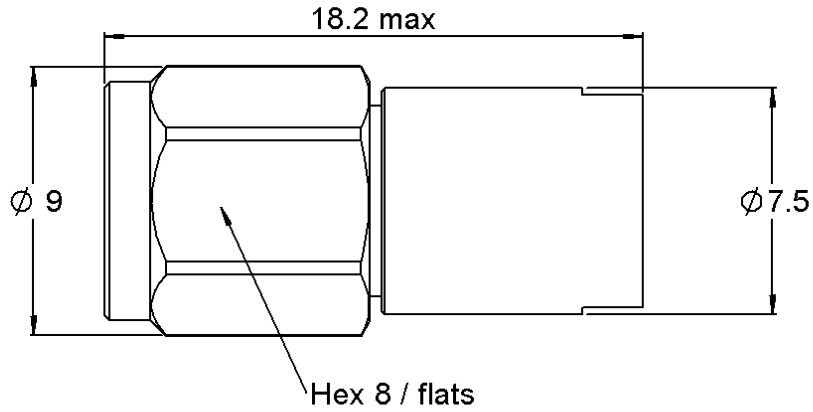
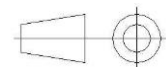


| | | | |
|----------|-----------------|------------------------------|-------------------------------|
| PAGE 1/2 | ISSUE 10-05-16A | SERIES TERMINATION | PART NUMBER R4042N0000 |
|----------|-----------------|------------------------------|-------------------------------|



Scale 1:1

All dimensions are in mm.



| COMPONENTS | MATERIALS | PLATING (µm) |
|----------------|-------------------------|-------------------------|
| Body | BRASS | NICKEL |
| Center contact | BERYLLIUM COPPER | GOLD OVER NICKEL |
| Outer contact | BERYLLIUM COPPER | GOLD OVER NICKEL |
| Insulator | PEEK | |
| Gasket | - | |
| Substrate | ALUMINA | |
| Resistor | THIN FILM | |
| Others parts | - | - |

| | | | |
|----------|------------------------|------------------------------|-------------------------------|
| PAGE 2/2 | ISSUE 10-05-16A | SERIES TERMINATION | PART NUMBER R4042N0000 |
|----------|------------------------|------------------------------|-------------------------------|

ELECTRICAL CHARACTERISTICS

| | |
|-----------------|----------------|
| Frequency (GHz) | DC - 50 |
| V.S.W.R (≤) | 1.3 |

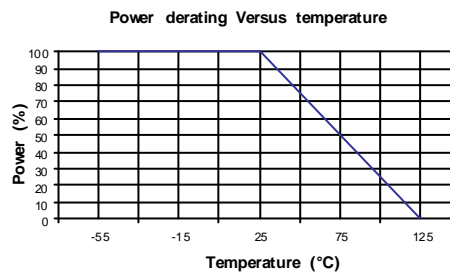
| | | |
|------------------------------|----------------|-----------------------|
| Operating Frequency Range | DC - 50 | GHz |
| Impedance | 50 | Ω |
| DC Resistance | 50 | Ω ± 5% |
| Peak power at 25°C (1μs, 1%) | 100 | W |
| Average power at 25°C | 0.5 | W (Free Air Cooled) |
| | | W (Conduction Cooled) |

MECHANICAL CHARACTERISTICS

| | | | |
|------------|---------------|-------------|---------------------|
| Connectors | 2.4MM | MALE | MIL STD-348A |
| Weight | 5,0400 | g | |

ENVIRONMENTAL CHARACTERISTICS

| | | |
|-----------------------------|-----------------|----|
| Operating temperature range | -55/+125 | °C |
| Storage temperature range | -55/+125 | °C |



SPECIFICATION

OTHER CHARACTERISTICS