

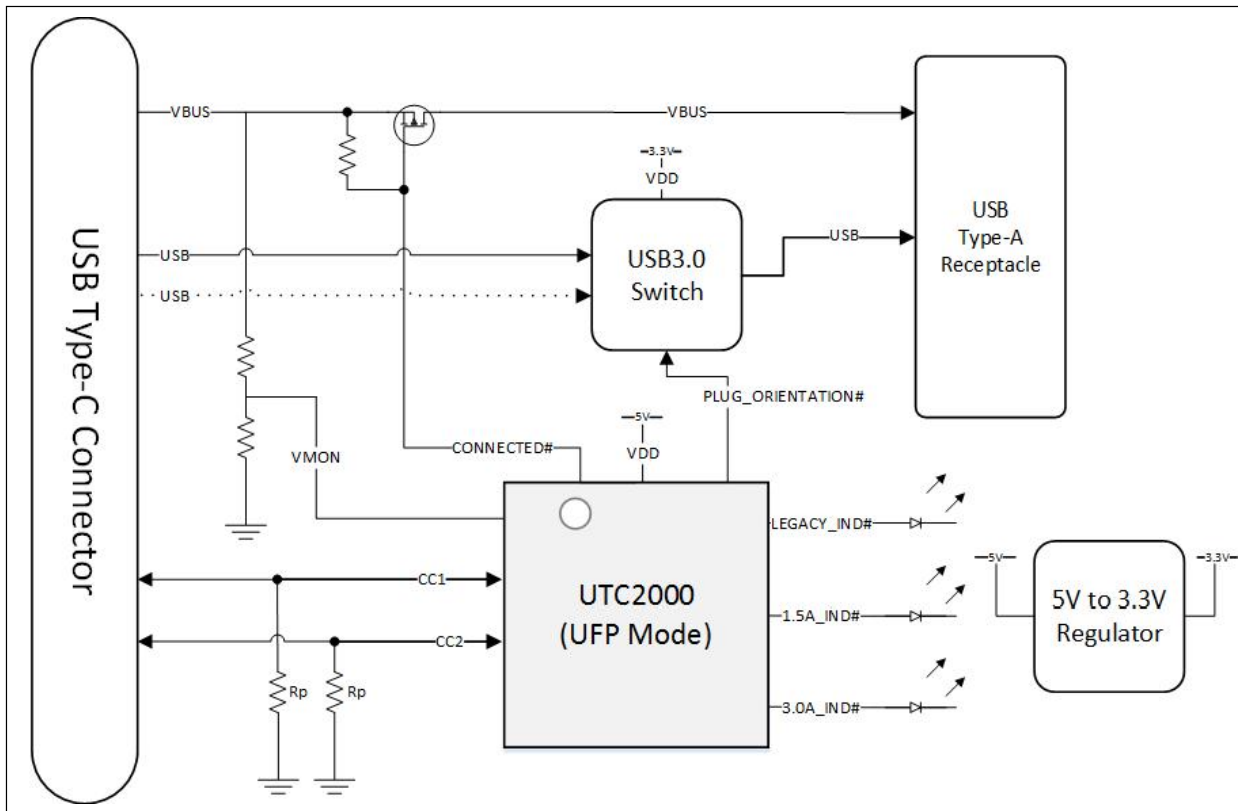
EVB-UTC2000-UFP: USB3.0/2.0 Type-C UFP to USB Type-A Receptacle


Table of Contents

Sheet	Description
I	UCT2000 Receptacle, A Receptacle, SS Mux

Revision History

Revision	Date	Revision Summary	Author
B00	4/27/2014	Final Version	A. Rogers



 MICROCHIP		Microchip Technology, Inc. USB/Network Group - UNG www.Microchip.com
Description: UTC2000 UFP Evaluation/Demonstration Board		
Page Title: Change Log		
Project Name: EVB-UTC2000-UFP		PN: PCB-7279AZ_B00
Size: B	Date: 4/27/2015	Designer: Andrew Rogers
Sheet 1 of 2		Rev B00

