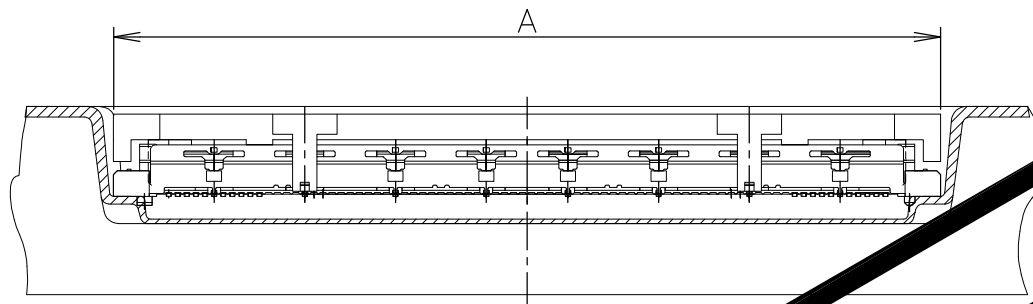
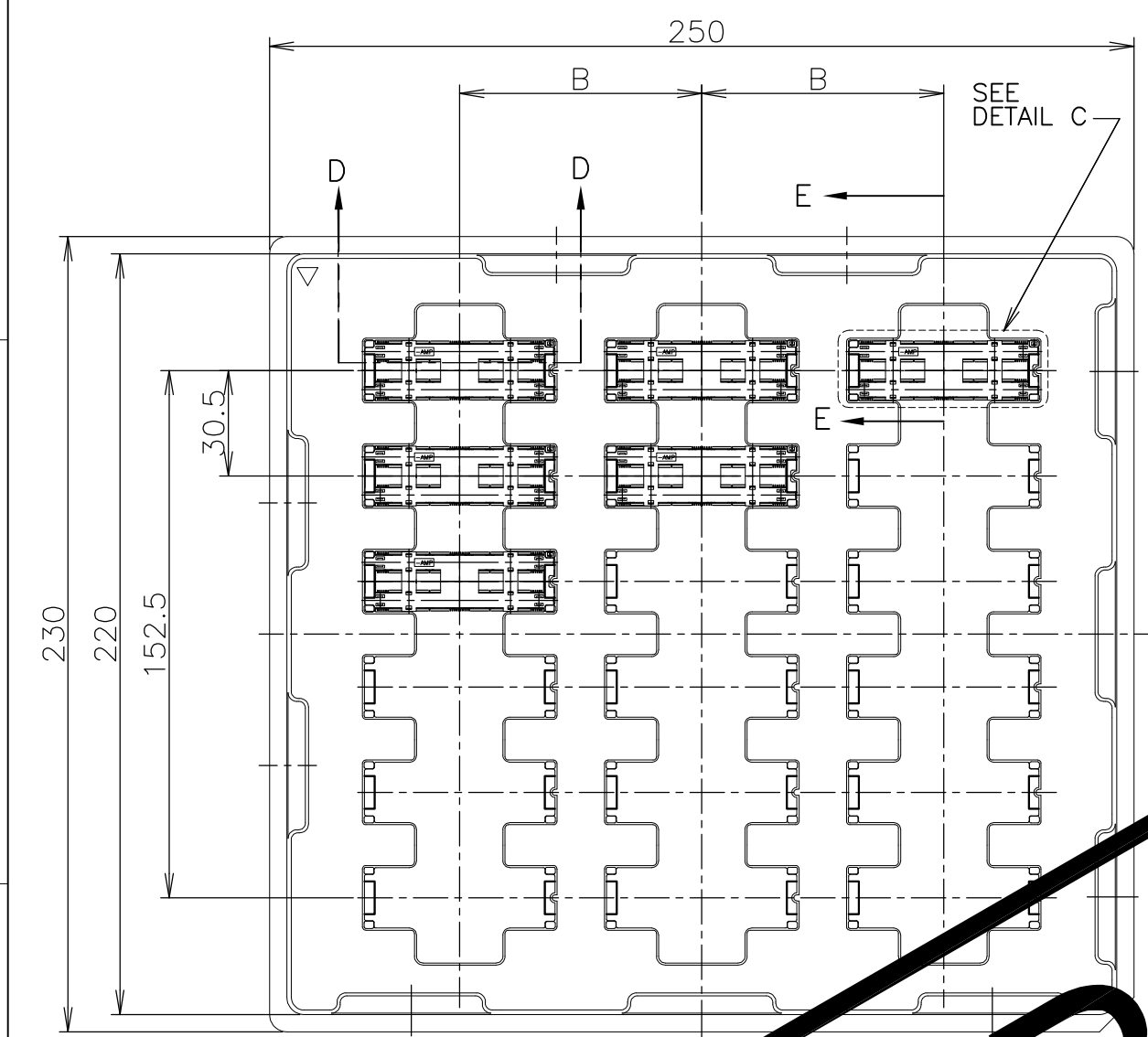


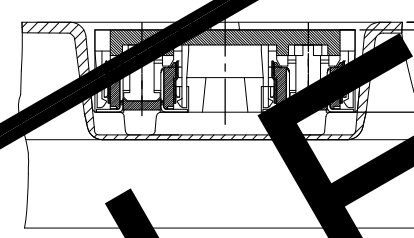
THIS DRAWING IS UNPUBLISHED. RELEASED FOR PUBLICATION NOV, 1998.  
 © COPYRIGHT 1998 BY TYCO ELECTRONICS CORPORATION. ALL RIGHTS RESERVED.

LOC	DIST	REVISIONS					
J		P	LTR	DESCRIPTION	DATE	DWN	APVD
		A	REVISED	ECR-08-000339	01FEB08	T.T	T.F
		B	REVISED	PER ECO-17-002393	11JULY17	B.J	S.Y



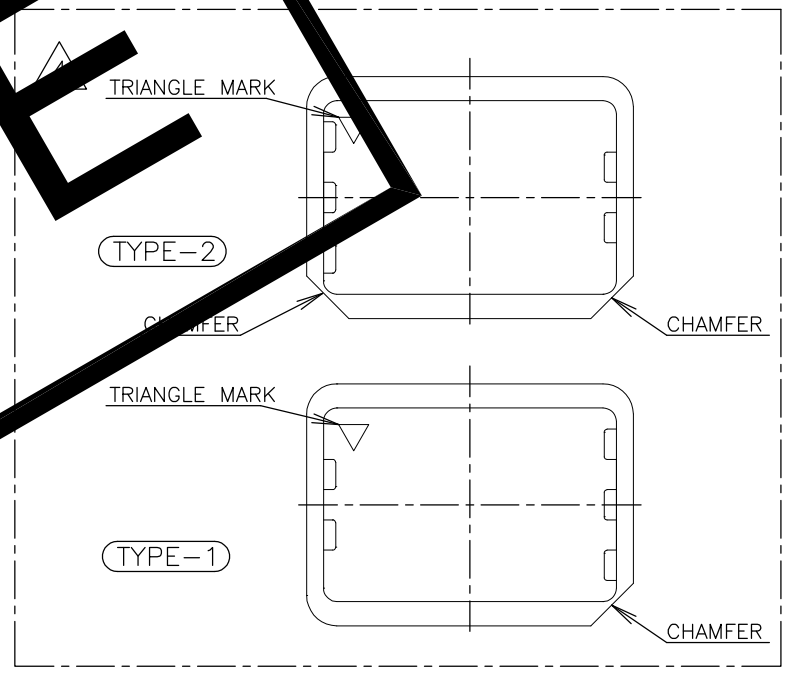
AS SHOWN: TYPE-1

D-D (SCALE 2:1)

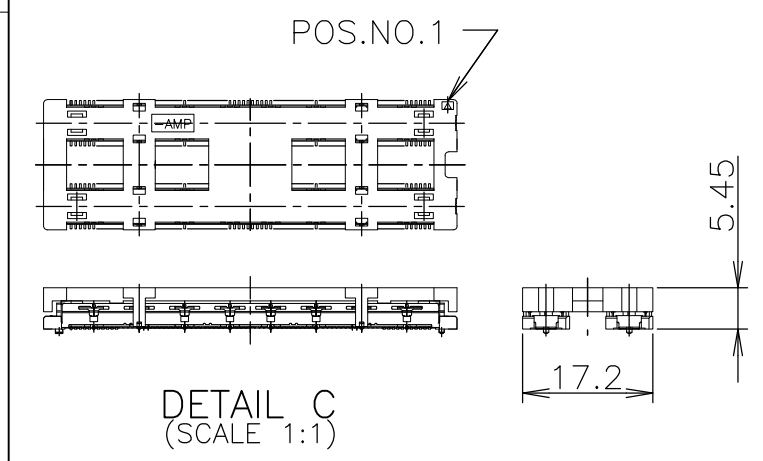
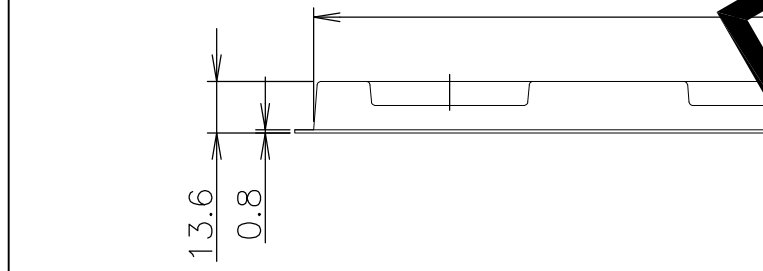


E-E (SCALE 2:1)

4. ONLY TYPE-1 AND TYPE-2 MUST BE PILED UP BY TURNS. (REFER TO PACKING SPECIFICATIONS)



OBSOLETE



SEALANT	TOOLING STATUS	ROW	QTY	B	A	POS.	TRAY P/N	PART NO.
AVAILABLE		3	18	70	54.7	320	5-912069-4	6-6318151-1
NOT AVAILABLE		↑	↑	↑	48.7	280	5- -3	6- -0
NOT AVAILABLE		↓	↓	↓	42.7	240	5- -2	5- -9
NOT AVAILABLE		3	18	70	36.7	200	5- -1	5- -8
NON SEALANT		3	18	70	54.7	320	5- -4	1- -1
NON SEALANT		↑	↑	↑	48.7	280	5- -3	1- -0
NON SEALANT		↓	↓	↓	42.7	240	5- -2	- -9
NON SEALANT		3	18	70	36.7	200	5-912069-1	6318151-8

GENERAL TOLERANCE  
 一般公差  
 10 ≥ ±0.2  
 30 ≥ >10: ±0.25  
 100 ≥ >30: ±0.3  
 ANGLES: ±3°

THIS DRAWING IS A CONTROLLED DOCUMENT.

DWN HAWKING HE 13DEC04  
 CHK STEVEN YAO 13DEC04  
 APVD I.ENOMOTO 13DEC04

**Tyco Electronics** Tyco Electronics Corporation  
 Kawasaki, Japan

NAME 名称  
 PRODUCT SPEC 製品規格  
 108-60047  
 APPLICATION SPEC 取付適用規格  
 114-5255

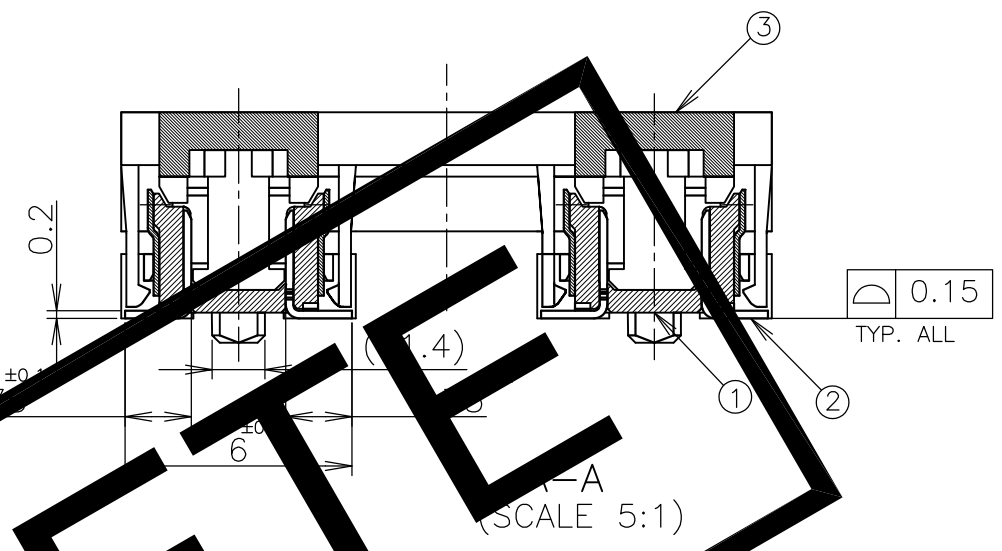
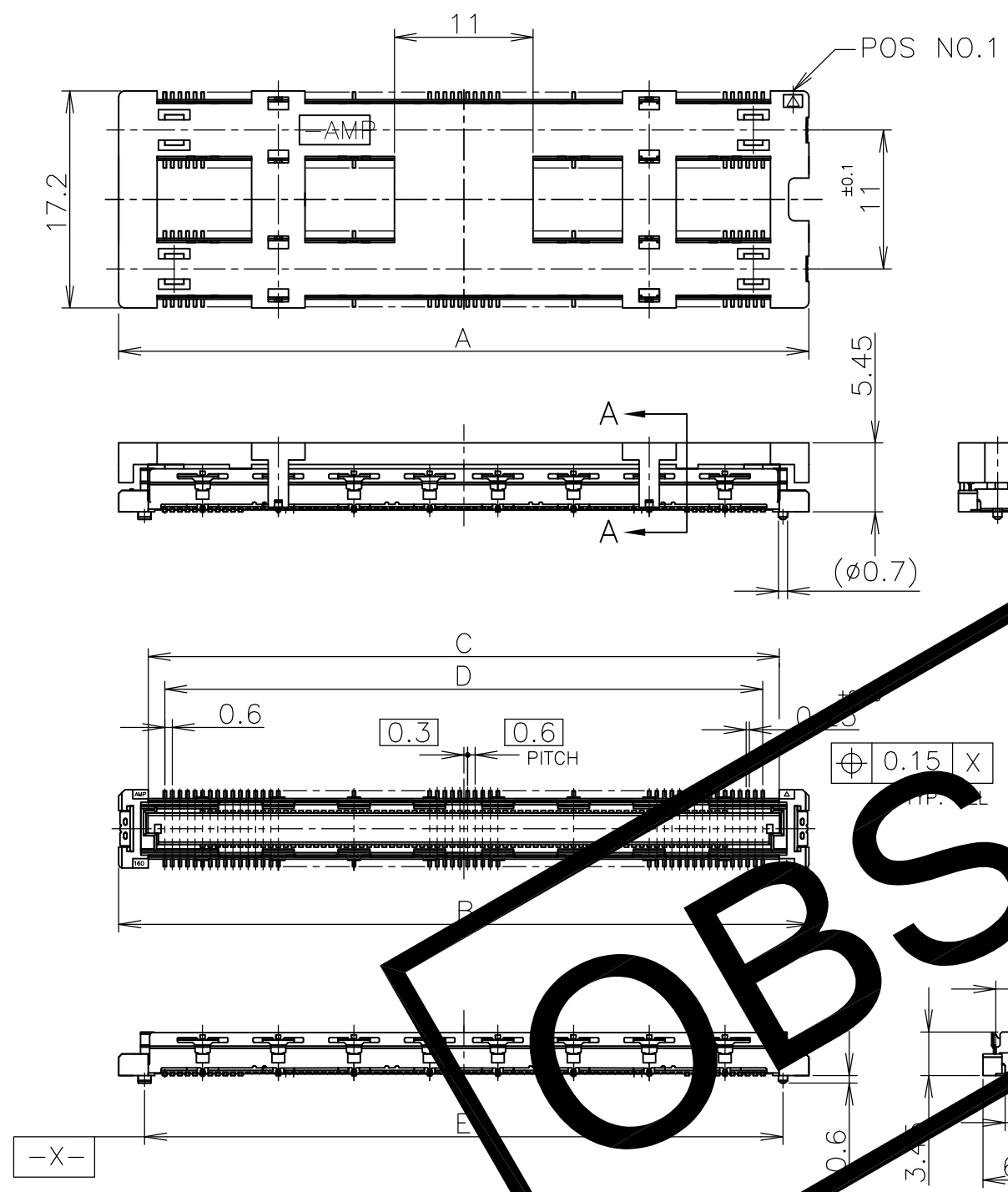
SOFT TRAY ASSY  
 FH 0.6BTB CONNECTOR  
 PLUG 4H W/G-PLATE 2ROW TYPE

SIZE A3 CAGE CODE 00779 DRAWING NO. 番号 G-6318151 RESTRICTED TO

WEIGHT CUSTOMER DRAWING SCALE 尺度 1:2 SHEET 1 OF 6 REV B

THIS DRAWING IS UNPUBLISHED. RELEASED FOR PUBLICATION NOV, 1998.  
 © COPYRIGHT 1998 BY TYCO ELECTRONICS CORPORATION. ALL RIGHTS RESERVED.

LOC	DIST	REVISIONS		
J		変更	DATE	DWN
		DESCRIPTION		APVD
		SEE SHEET 1	-	-



- ① MATERIAL ; ① HOUSING : HIGH TEMP THERMO PLASTIC UL94V-0 (COLOR : NATURAL)
- ② CONTACT : COPPER ALLOY
- ③ CAP HOUSING : HIGH TEMP THERMO PLASTIC UL94V-0 (COLOR : BLACK)
- △ FINISH ; UNDER PL Ni 0.0013mm MIN ALL OVER. CONTACT AREA 0.0002 MIN Au PL. SOLDERING AREA 0.001 MIN TIN PL.
- ③ THIS POSITION IS GROUND CIRCUIT.

AVAILABLE	51.8	50.6	47.4	50	54.7	54.7	320	1-	-1
NOT AVAILABLE	45.8	44.6	41.4	44	48.7	48.7	280	1-	-0
NOT AVAILABLE	39.8	38.6	35.4	38	42.7	42.7	240		-9
NOT AVAILABLE	33.8	32.6	29.4	32	36.7	36.7	200		1318153-8
TOOLING STATUS	F	E	D	C	B	A	POS		CAP P/N

GENERAL TOLERANCE  
 一般公差  
 10 ≥ ±0.2  
 30 ≥ >10: ±0.25  
 100 ≥ >30: ±0.3  
 ANGLES: ±3°

THIS DRAWING IS A CONTROLLED DOCUMENT.	
DIMENSIONS: 単位: 耗 mm	TOLERANCES UNLESS OTHERWISE SPECIFIED: 一般公差
0 PLC ±-	1 PLC ±-
2 PLC ±-	3 PLC ±-
4 PLC ±-	ANGLES ±-
MATERIAL 材料	FINISH 仕上

DWN	Tyco Electronics		Tyco Electronics Corporation	
CHK			Kawasaki, Japan	
APVD	NAME 名称		SOFT TRAY ASSY	
PRODUCT SPEC 製品規格			FH 0.6BTB CONNECTOR	
APPLICATION SPEC 取付適用規格			PLUG 4H W/G-PLATE 2ROW TYPE	
WEIGHT	SIZE	CAGE CODE	DRAWING NO 番号	RESTRICTED TO
	A3	00779	G-6318151	
CUSTOMER DRAWING	SCALE 尺度	SHEET	REV	
	2:1	2 OF 6	B	

THIS DRAWING IS UNPUBLISHED. RELEASED FOR PUBLICATION NOV, 1998.  
 © COPYRIGHT 1998 BY TYCO ELECTRONICS CORPORATION. ALL RIGHTS RESERVED.

LOC	DIST	REVISIONS		
J		変更	DATE	DWN
P	LTR	DESCRIPTION		APVD
		SEE SHEET 1	-	-



REFERENCE P.C.BOARD LAYOUT

GENERAL TOLERANCE  
一般公差

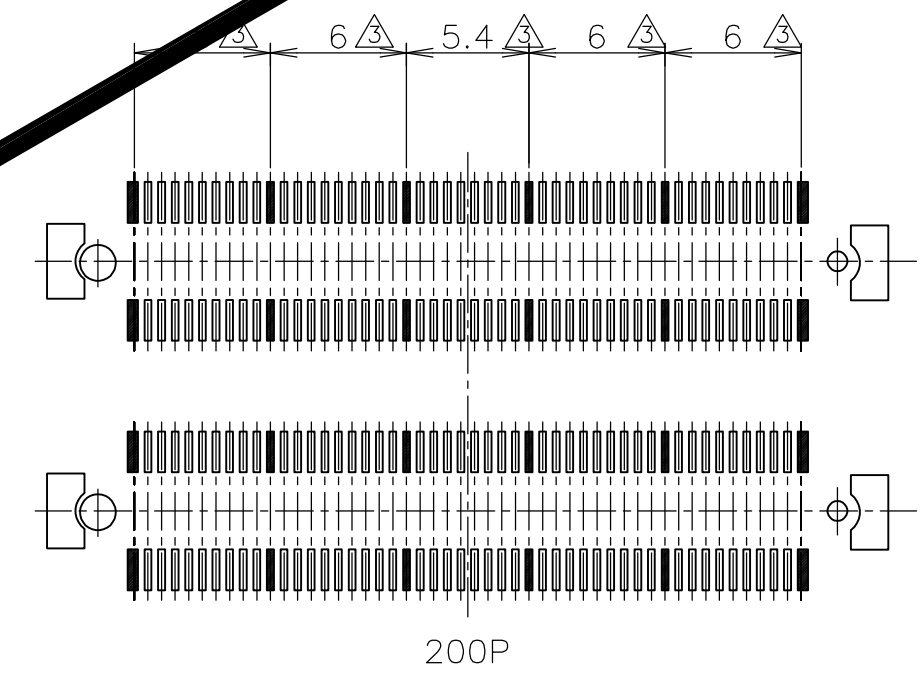
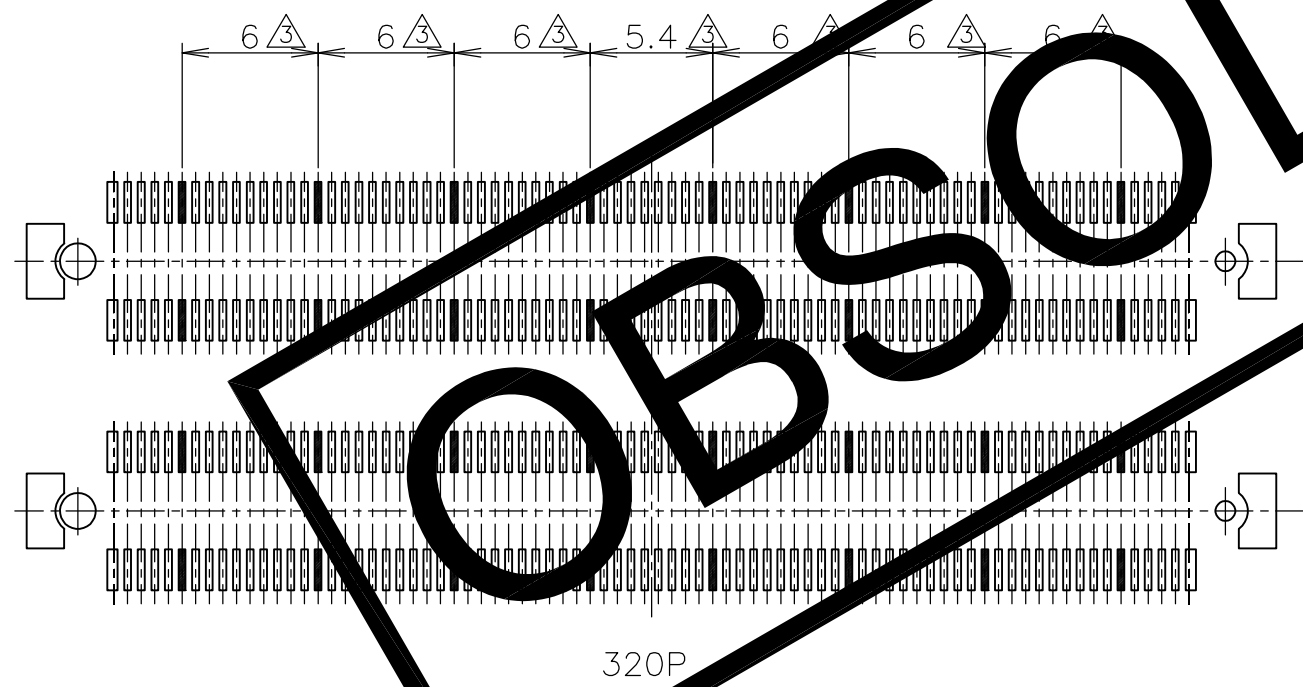
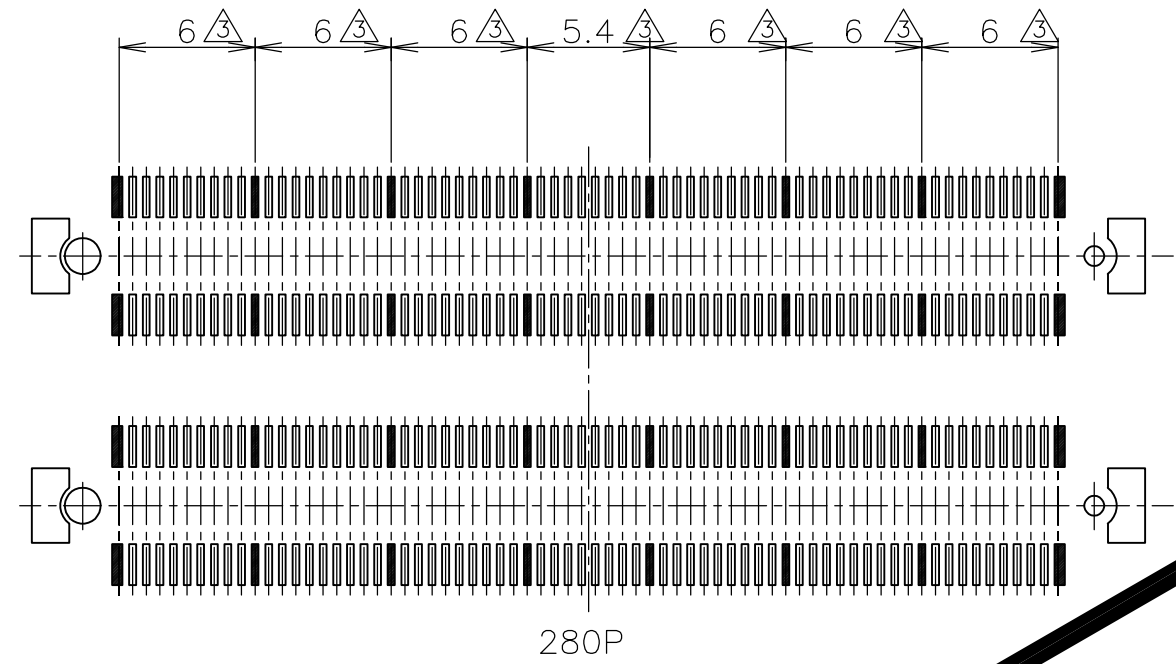
10 ≥	±0.2
30 ≥	>10: ±0.25
100 ≥	>30: ±0.3
ANGLES: ±3°	

THIS DRAWING IS A CONTROLLED DOCUMENT.		DWN		Tyco Electronics Tyco Electronics Corporation Kawasaki, Japan																			
DIMENSIONS: 単位: 耗 mm		TOLERANCES UNLESS OTHERWISE SPECIFIED: 一般公差		NAME 名称																			
<table border="1"> <tr> <td>0 PLC</td> <td>± -</td> </tr> <tr> <td>1 PLC</td> <td>± -</td> </tr> <tr> <td>2 PLC</td> <td>± -</td> </tr> <tr> <td>3 PLC</td> <td>± -</td> </tr> <tr> <td>4 PLC</td> <td>± -</td> </tr> <tr> <td>ANGLES</td> <td>± -</td> </tr> </table>		0 PLC	± -	1 PLC	± -	2 PLC	± -	3 PLC	± -	4 PLC	± -	ANGLES	± -	<table border="1"> <tr> <td>APVD</td> <td></td> </tr> <tr> <td>PRODUCT SPEC</td> <td>製品規格</td> </tr> <tr> <td>APPLICATION SPEC</td> <td>取付適用規格</td> </tr> </table>		APVD		PRODUCT SPEC	製品規格	APPLICATION SPEC	取付適用規格	SOFT TRAY ASSY FH 0.6BTB CONNECTOR PLUG 4H W/G-PLATE 2ROW TYPE	
0 PLC	± -																						
1 PLC	± -																						
2 PLC	± -																						
3 PLC	± -																						
4 PLC	± -																						
ANGLES	± -																						
APVD																							
PRODUCT SPEC	製品規格																						
APPLICATION SPEC	取付適用規格																						
MATERIAL 材料		FINISH 仕上		SIZE CAGE CODE DRAWING NO A3 00779 G-6318151																			
①		②		RESTRICTED TO																			
CUSTOMER DRAWING				SCALE 4:1 SHEET 3 OF 6 REV B																			

THIS DRAWING IS UNPUBLISHED.      RELEASED FOR PUBLICATION      NOV, 1998.

© COPYRIGHT 1998 BY TYCO ELECTRONICS CORPORATION.      ALL RIGHTS RESERVED.

LOC	DIST	REVISIONS					
J		P	LTR	DESCRIPTION	DATE	DWN	APVD
				SEE SHEET 1			



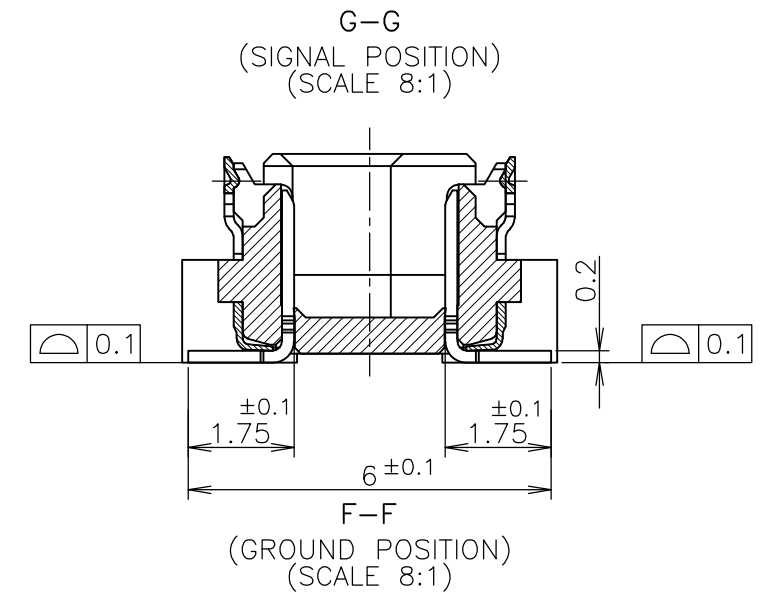
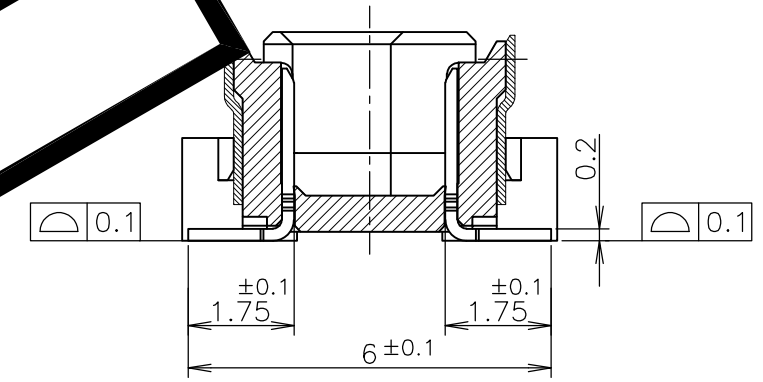
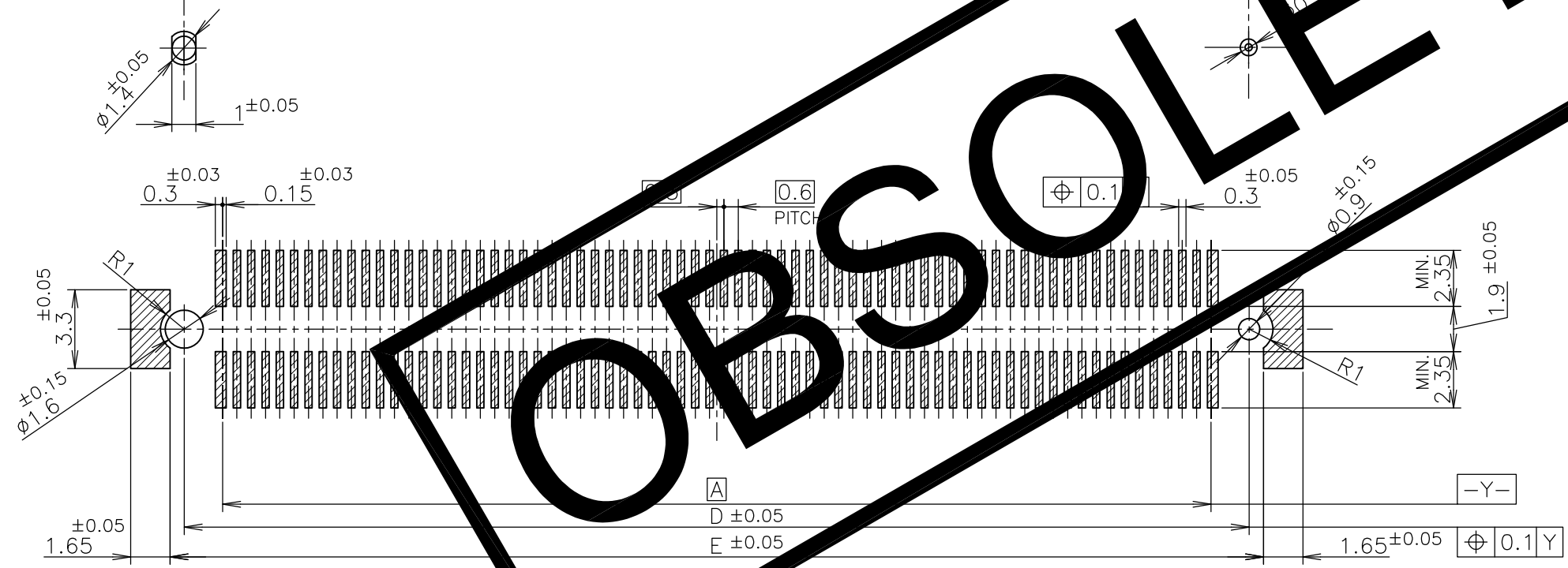
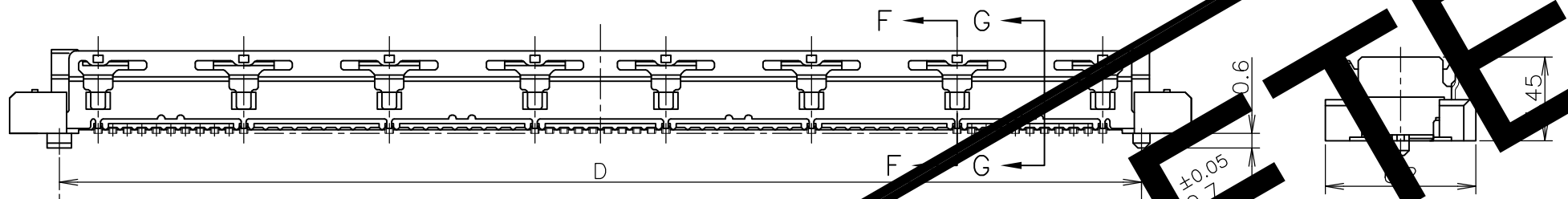
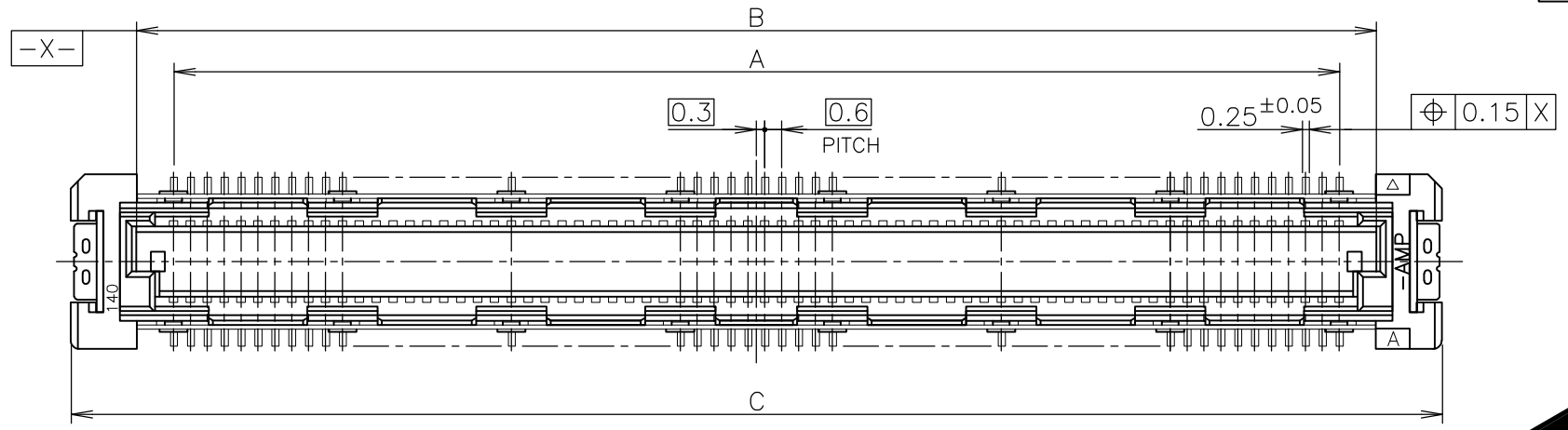
OBSOLETE

GENERAL TOLERANCE	
10 ≥	±0.2
30 ≥	>10: ±0.25
100 ≥	>30: ±0.3
ANGLES: ±3°	

THIS DRAWING IS A CONTROLLED DOCUMENT.		DWN		Tyco Electronics Corporation	
DIMENSIONS: 单位: 耗 mm		CHK		Kawasaki, Japan	
TOLERANCES UNLESS OTHERWISE SPECIFIED: 一般公差		APVD		NAME 名称	
0 PLC ±-		PRODUCT SPEC 製品規格		SOFT TRAY ASSY	
1 PLC ±-		APPLICATION SPEC 取付適用規格		FH 0.6BTB CONNECTOR	
2 PLC ±-		WEIGHT		PLUG 4H W/G-PLATE 2ROW TYPE	
3 PLC ±-		SIZE		RESTRICTED TO	
4 PLC ±-		CAGE CODE		DRAWING NO 番号	
ANGLES ±-		A3 00779		G-6318151	
FINISH 仕上		CUSTOMER DRAWING		SCALE 尺度 3:1	
MATERIAL 材料		SHEET 4 OF 6		REV B	

THIS DRAWING IS UNPUBLISHED. RELEASED FOR PUBLICATION NOV, 1998.  
 © COPYRIGHT 1998 BY TYCO ELECTRONICS CORPORATION. ALL RIGHTS RESERVED.

LOC	DIST	REVISIONS		
J		变更	DATE	DWN
P	LTR	DESCRIPTION	APVD	
		SEE SHEET 1		



OBSOLETE

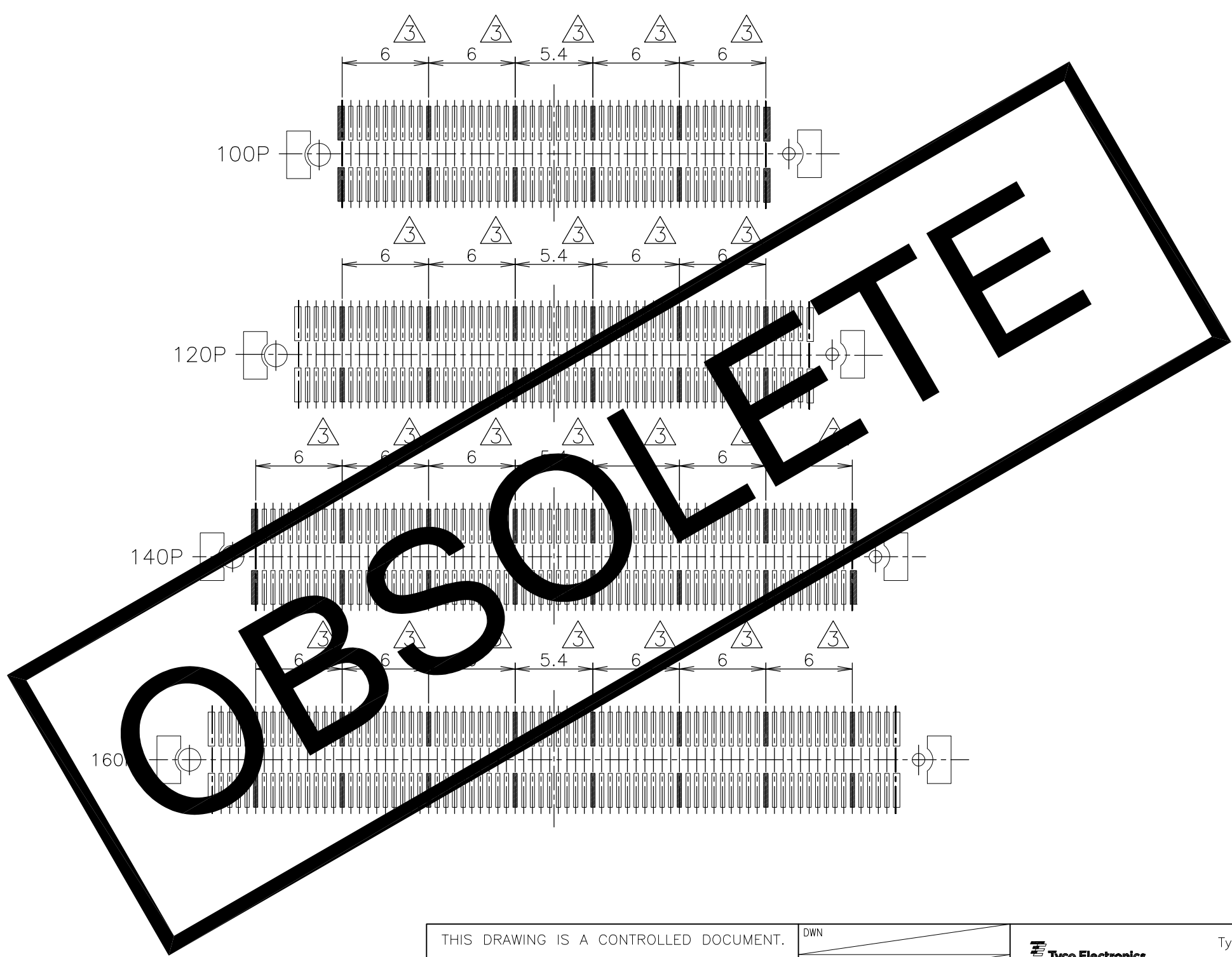
AVAILABLE	51.8	50.6	54.7	50	47.4	160
AVAILABLE	45.8	44.6	48.7	44	41.4	140
NOT AVAILABLE	39.8	38.6	42.7	38	35.4	120
AVAILABLE	33.8	32.6	36.7	32	29.4	100
TOOLING STATUS	E	D	C	B	A	POS

THIS DRAWING IS A CONTROLLED DOCUMENT.		DWN	Tyco Electronics Corporation Kawasaki, Japan			
DIMENSIONS: 单位: 耗 mm		CHK	NAME 名称			
TOLERANCES UNLESS OTHERWISE SPECIFIED: 一般公差		APVD	SOFT TRAY ASSY FH 0.6BTB CONNECTOR PLUG 4H W/G-PLATE 2ROW TYPE			
0 PLC ± 0.3		PRODUCT SPEC 製品規格	SIZE	CAGE CODE	DRAWING NO 番号	RESTRICTED TO
1 PLC ± 0.3		APPLICATION SPEC 取付適用規格	A3	00779	G-6318151	
2 PLC ± 0.3		WEIGHT	CUSTOMER DRAWING			
3 PLC ± 0.3			SCALE 尺度	SHEET	REV	
4 PLC ± 0.3			4:1	5 OF 6	B	
ANGLES ± 3'						
FINISH 仕上						

THIS DRAWING IS UNPUBLISHED.      RELEASED FOR PUBLICATION      NOV, 1998.

© COPYRIGHT 1998 BY TYCO ELECTRONICS CORPORATION.      ALL RIGHTS RESERVED.

LOC J	DIST	REVISIONS 変更		
P	LTR	DESCRIPTION	DATE	DWN
		SEE SHEET 1	-	-
				APVD



THIS DRAWING IS A CONTROLLED DOCUMENT.		DWN	Tyco Electronics Corporation Kawasaki, Japan		
DIMENSIONS: 単位: 耗 mm		CHK	NAME 名称		
TOLERANCES UNLESS OTHERWISE SPECIFIED: 一般公差		APVD	SOFT TRAY ASSY FH 0.6BTB CONNECTOR PLUG 4H W/G-PLATE 2ROW TYPE		
0 PLC ± 0.3 1 PLC ± 0.3 2 PLC ± 0.3 3 PLC ± 0.3 4 PLC ± 0.3 ANGLES ± 3'		PRODUCT SPEC 製品規格	SIZE	CAGE CODE	DRAWING NO 番号
MATERIAL 材料		APPLICATION SPEC 取付適用規格	A3	00779	G-6318151
FINISH 仕上		WEIGHT	CUSTOMER DRAWING		RESTRICTED TO
			SCALE 尺度	SHEET	REV
			3:1	6 OF 6	B