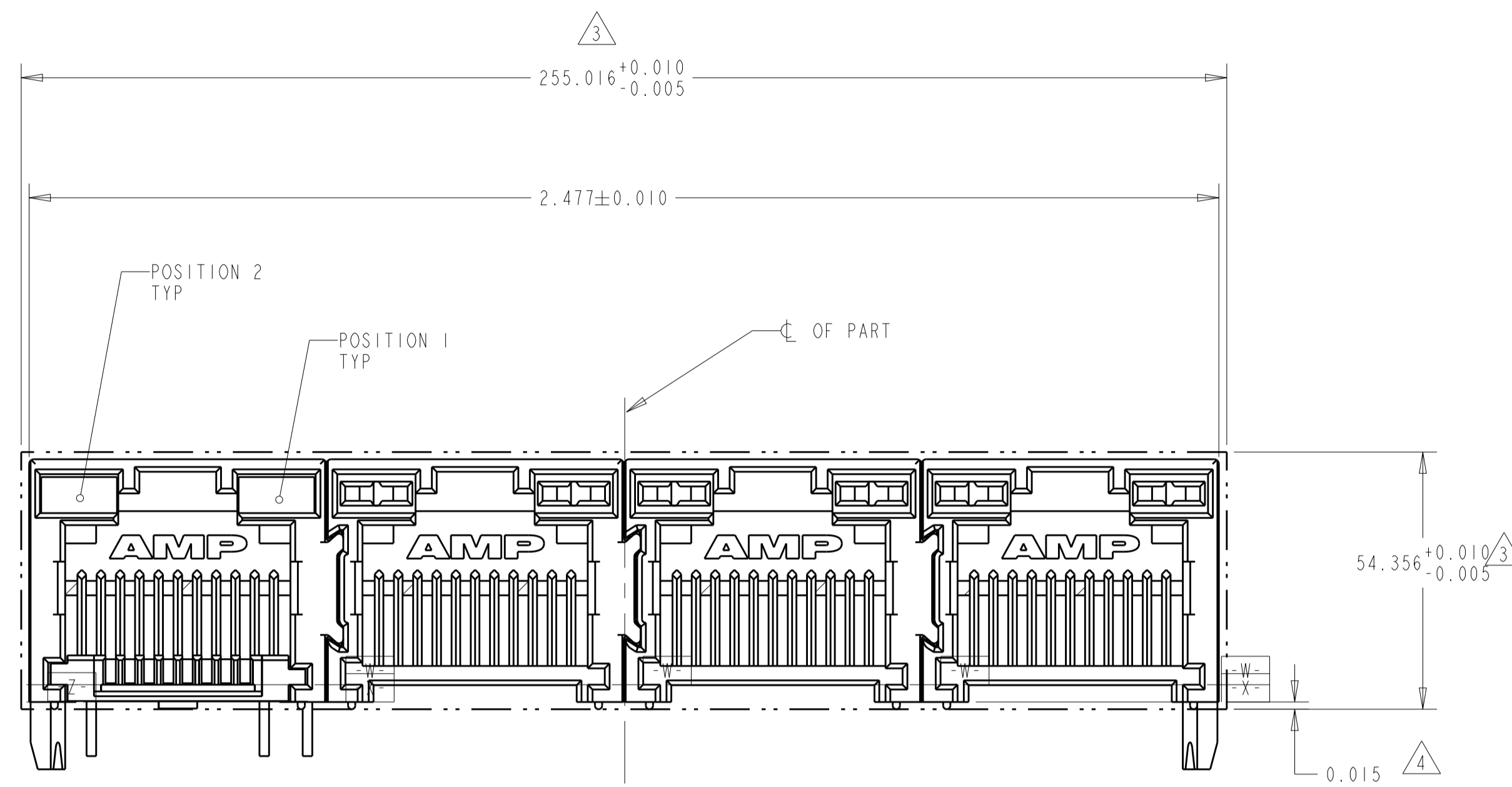
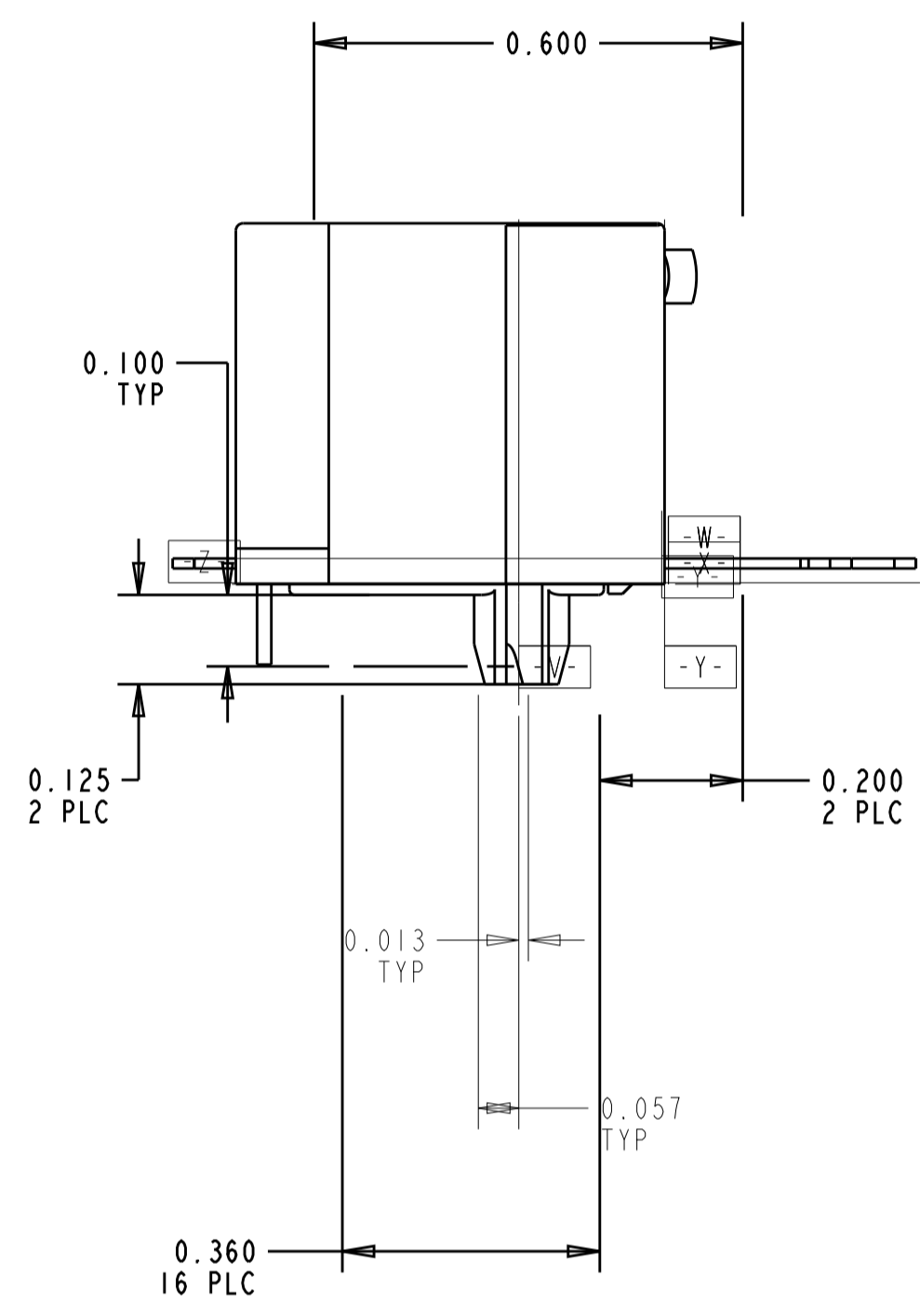
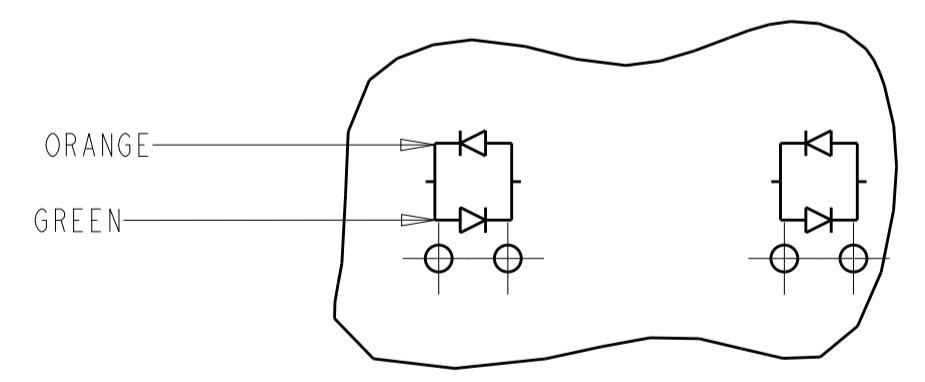


REVISIONS				
P.	LTN	DESCRIPTION	DATE	APVD

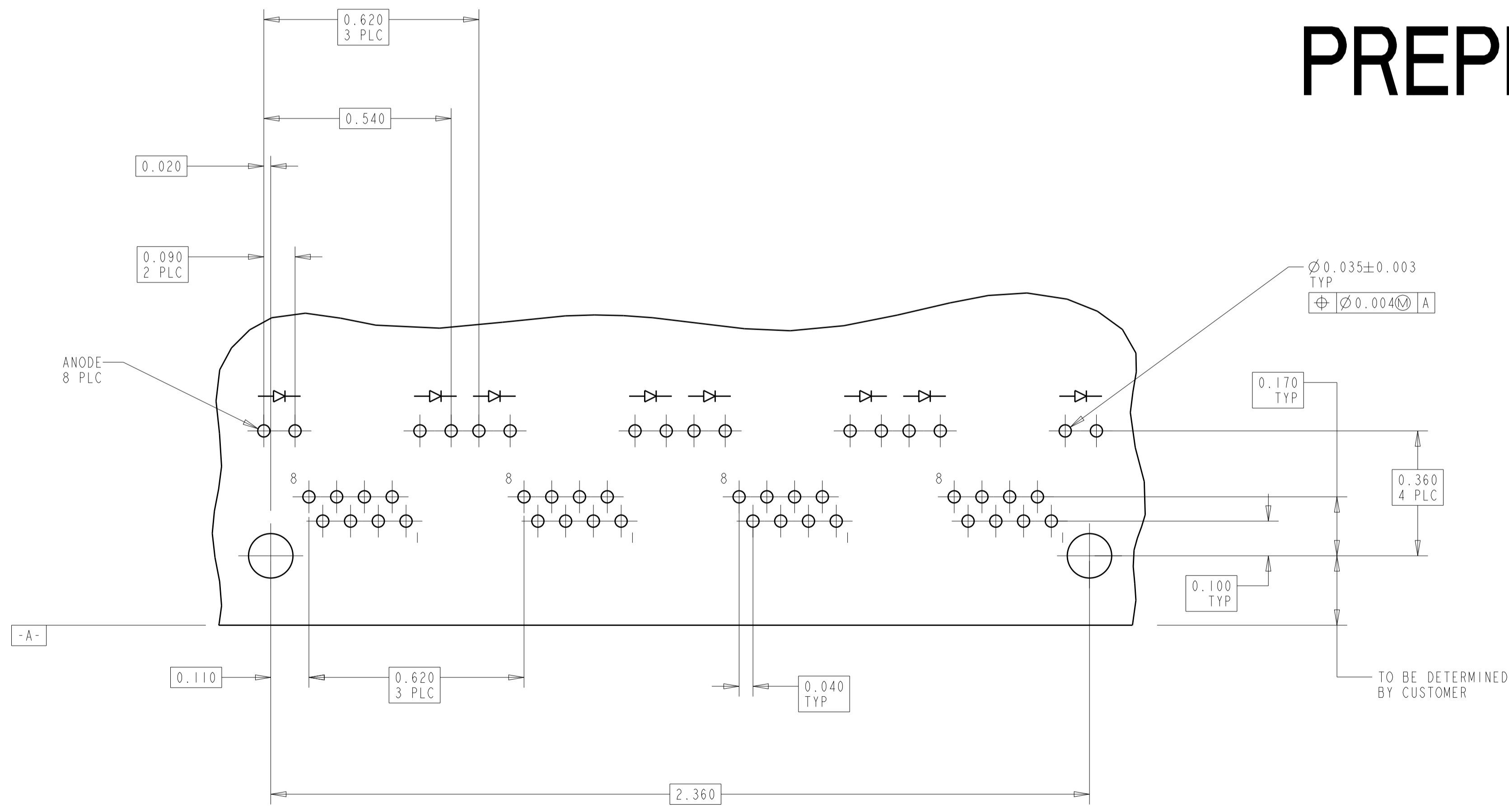
- △ MATERIAL: HOUSING - THERMOPLASTIC, BLACK, UL94V-0.
TERMINALS - .36[.014] THICK PHOS BRONZE PLATED WITH .0038[.000150] MINIMUM THICK BRIGHT TIN LEAD IN SOLDER AREA, .0012[.000050] MINIMUM GOLD IN LOCALIZED PLATE AREA. ENTIRE TERMINAL PLATED WITH .0012[.000050] MINIMUM THICK NICKEL.
- 2. JACK CAVITY CONFORMS TO FCC RULES AND REGULATIONS PART 68, SUBPART F.
- △ 3 SUGGESTED PANEL OPENING DIMENSIONS.
- △ 4 SUGGESTED CLEARANCE BETWEEN BOTTOM OF CONNECTOR AND BOTTOM OF PANEL OPENING.



PREPRODUCTION



LED CURRENT DIAGRAM
406536-7 ONLY



SUGGESTED P.C.B. LAYOUT
(COMPONENT SIDE)

OBsolete

INDICATOR COLOR	INDICATOR COLOR	PART NUMBER
ORANGE/GREEN	ORANGE/GREEN	406536-7
YELLOW	YELLOW	406536-6
GREEN	GREEN	406536-5
GREEN	YELLOW	406536-4
YELLOW	-	406536-3
-	GREEN	406536-2
YELLOW	GREEN	406536-1
POS 2	POS 1	

THIS DRAWING IS A CONTROLLED DOCUMENT.		DWN CHK APVD	28-Feb-20 BARKER		
DIMENSIONS: inches	TOLERANCES UNLESS OTHERWISE SPECIFIED:	PRODUCT SPEC	NAME	INVERTED MODULAR JACK ASSEMBLY	
0 PLC ±	1 PLC ±.25 [.01]	APPLICATION SPEC	SIZE	CAGE CODE	DRAWING NO
2 PLC ±.125 [.005]	3 PLC ±	FINISH	RESTRICTED TO	A 00779 406536	
MATERIAL	ANGLES	WEIGHT	CUSTOMER DRAWING	SCALE	SHEET
				4:1	1 OF 1
					REV C2