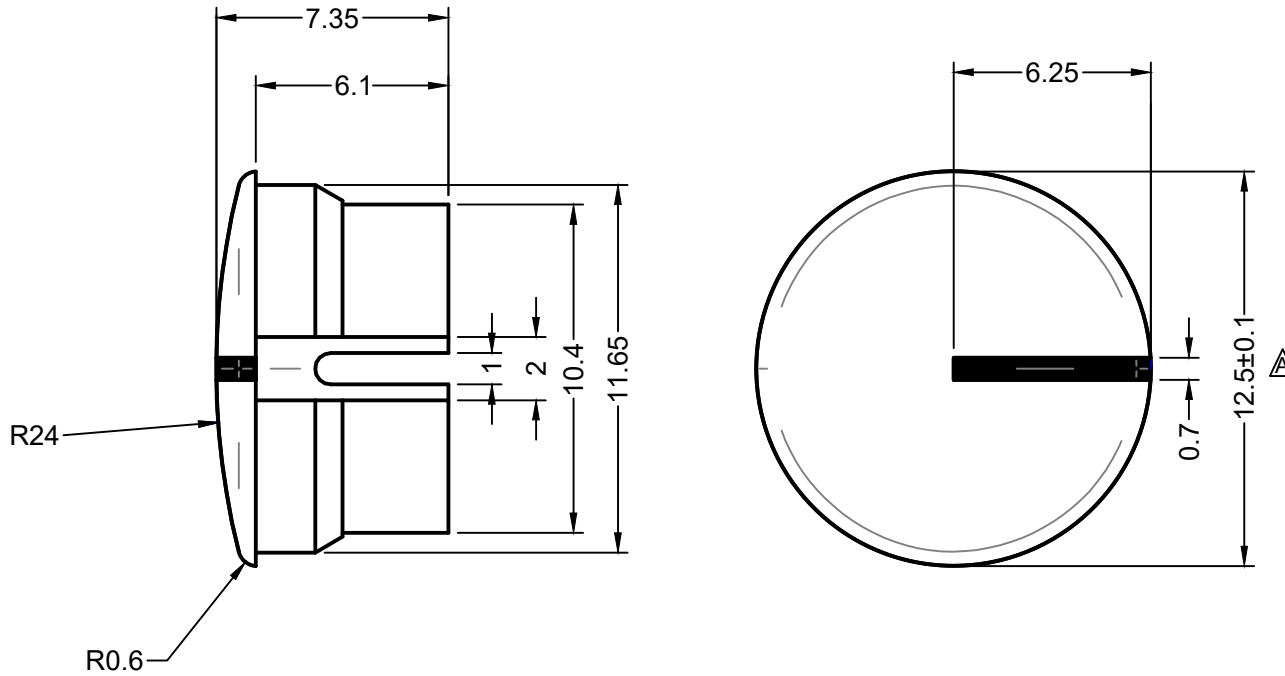


MATERIAL & FINISH:
Polyamid 6, Matte Finish

RoHS
COMPLIANT



REVISIONS

REV	DATE	CHANGE	CHNG	CHK	APPR
A	6/7/22	CORRECT DIM TO 12.5mm		PB	

P/N	COLORS
32-15-111	LT. GRAY
32-15-112	GRAY
32-15-113	BLACK
32-15-114	RED
32-15-115	BLUE
32-15-116	YELLOW
32-15-117	GREEN

TOLERANCE UNLESS OTHERWISE SPECIFIED	
X	± 1
X.X	± 0.4
X.XX	± 0.13

DRAWN BY	PB	DATE:	3/18/22
CHECK BY		DATE:	
APPR BY		DATE:	

Power Dynamics, Inc.
Phone: 973 560-0019 Whippary, New Jersey Fax: 973 560-0076

PART: 15MM CURVED CAP
MATTE FINISH WITH LINE

PART #: **32-15-11X**

SIZE: A
SCALE: NTS

ALL DIMENSIONS FOR REFERENCE ONLY
DIMENSIONS ARE IN MILLIMETERS

SHEET 1 of 1
REV: A