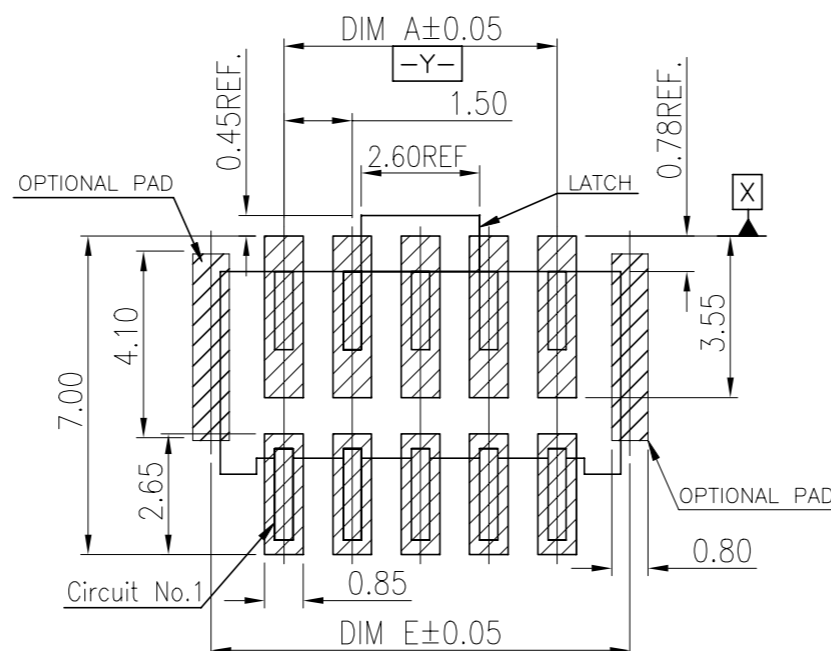
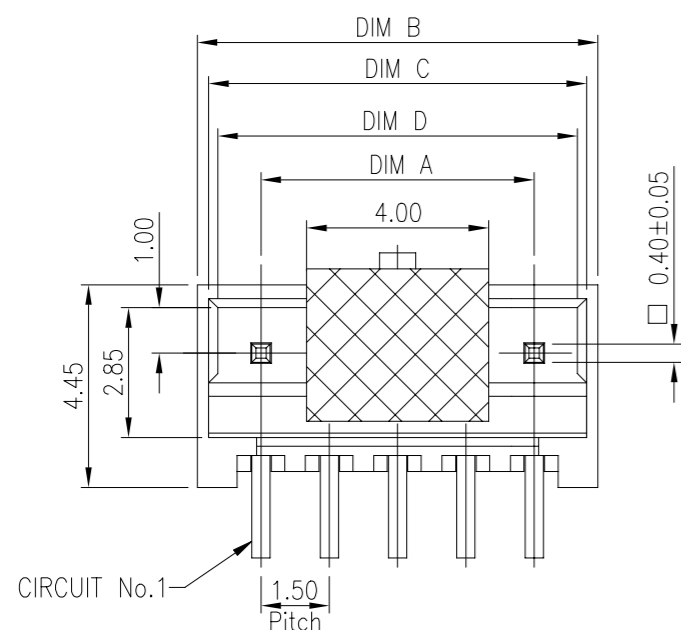


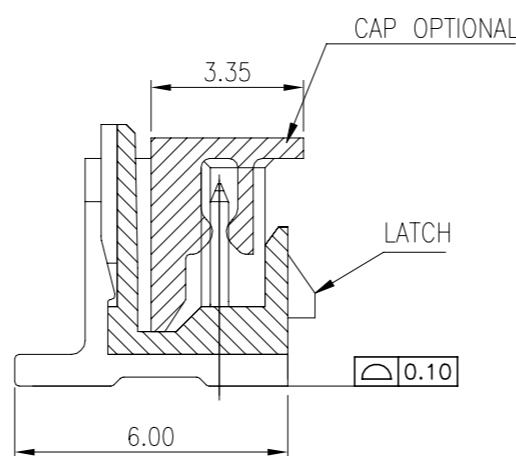
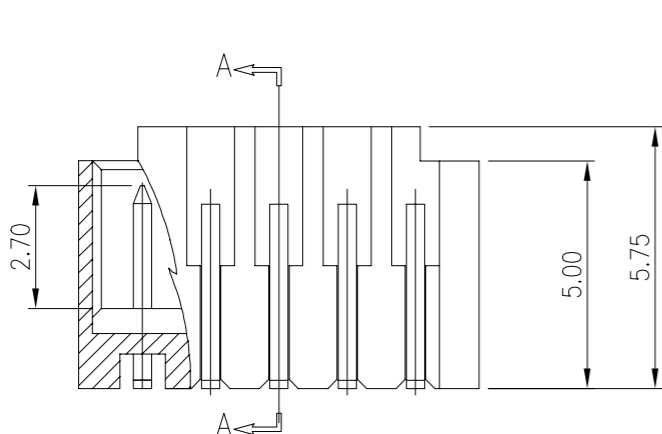
P	LTR	DESCRIPTION	DATE	DWN	APVD
A		ECR-21-108912	08MAY2021	T.Q	N.S



RECOMMENDED PCB LAYOUT FOR \*-2380320-\*  
TOLERANCE ± 0.05

NOTES:

- MATERIAL:
  - HOUSING: HALOGEN FREE PLASTIC,UL94V-0.
  - CONTACT: COPPER ALLOY
- FINISH:
  - TYPE A: CONTACT: 50U" MIN. NICKEL UNDER PLATING OVERALL  
100U" MIN. MATTE TIN PLATING ON CONTACT AREA AND SOLDER AREA.
  - TYPE B: CONTACT: 50U" MIN. NICKEL UNDER PLATING OVERALL  
GOLD FLASH PLATING ON CONTACT AREA AND SOLDER AREA.
- REFLOW SOLDER CAPABLE TO 260°C, PER PRODUCTION SPEC.



SEC. A-A

COLOR	DIM.E	DIM.D	DIM.C	DIM.B	DIM.A	POS.NO.	PLATING SPEC.	
							TYPE B	TYPE A
BLACK	4.7	3.4	3.8	4.3	1.5	2	6-2380320-2	4-2380320-2
	6.2	4.9	5.3	5.8	3.0	3	6-2380320-3	4-2380320-3
	7.7	6.4	6.8	7.3	4.5	4	6-2380320-4	4-2380320-4
	9.2	7.9	8.3	8.8	6.0	5	6-2380320-5	4-2380320-5
	10.7	9.4	9.8	10.3	7.5	6	6-2380320-6	4-2380320-6
	12.2	10.9	11.3	11.8	9.0	7	6-2380320-7	4-2380320-7
	13.7	12.4	12.8	13.3	10.5	8	6-2380320-8	4-2380320-8
	15.2	13.9	14.3	14.8	12.0	9	6-2380320-9	4-2380320-9
	16.7	15.4	15.8	16.3	13.5	10	7-2380320-0	5-2380320-0
	18.2	16.9	17.3	17.8	15.0	11	7-2380320-1	5-2380320-1
	19.7	18.4	18.8	19.3	16.5	12	7-2380320-2	5-2380320-2
	21.2	19.9	20.3	20.8	18.0	13	7-2380320-3	5-2380320-3
	22.7	21.4	21.8	22.3	19.5	14	7-2380320-4	5-2380320-4
	24.2	22.9	23.3	23.8	21.0	15	7-2380320-5	5-2380320-5
	NATURAL	4.7	3.4	3.8	4.3	1.5	2	2-2380320-2
6.2		4.9	5.3	5.8	3.0	3	2-2380320-3	2380320-3
7.7		6.4	6.8	7.3	4.5	4	2-2380320-4	2380320-4
9.2		7.9	8.3	8.8	6.0	5	2-2380320-5	2380320-5
10.7		9.4	9.8	10.3	7.5	6	2-2380320-6	2380320-6
12.2		10.9	11.3	11.8	9.0	7	2-2380320-7	2380320-7
13.7		12.4	12.8	13.3	10.5	8	2-2380320-8	2380320-8
15.2		13.9	14.3	14.8	12.0	9	2-2380320-9	2380320-9
16.7		15.4	15.8	16.3	13.5	10	3-2380320-0	1-2380320-0
18.2		16.9	17.3	17.8	15.0	11	3-2380320-1	1-2380320-1
19.7		18.4	18.8	19.3	16.5	12	3-2380320-2	1-2380320-2
21.2		19.9	20.3	20.8	18.0	13	3-2380320-3	1-2380320-3
22.7		21.4	21.8	22.3	19.5	14	3-2380320-4	1-2380320-4
24.2		22.9	23.3	23.8	21.0	15	3-2380320-5	1-2380320-5

THIS DRAWING IS A CONTROLLED DOCUMENT.		DWN	Jone Ji	23SEP2020
DIMENSIONS:		CHK	Wenke He	-
mm		APVD	Wenke He	-
TOLERANCES UNLESS OTHERWISE SPECIFIED:		NAME		
0 PLC ± 0.5		1.5P WTB VERTICAL TYPE		
1 PLC ± 0.35		WITH LATCH		
2 PLC ± 0.25		-		
3 PLC ± 0.15		APPLICATION SPEC		
4 PLC ± -		-		
ANGLES ± 2'		SIZE		
MATERIAL		CAGE CODE		
SEE NOTE		DRAWING NO		
FINISH		RESTRICTED TO		
-		A3 00779 C=2380320		
-		WEIGHT		
-		CUSTOMER DRAWING		
-		SCALE		
-		N/A		
-		SHEET		
-		1 of 5		
-		REV		
-		A		



1.5P WTB VERTICAL TYPE WITH LATCH

SIZE	CAGE CODE	DRAWING NO	RESTRICTED TO
A3	00779	C=2380320	-
SCALE	SHEET	REV	
N/A	1 of 5	A	

4

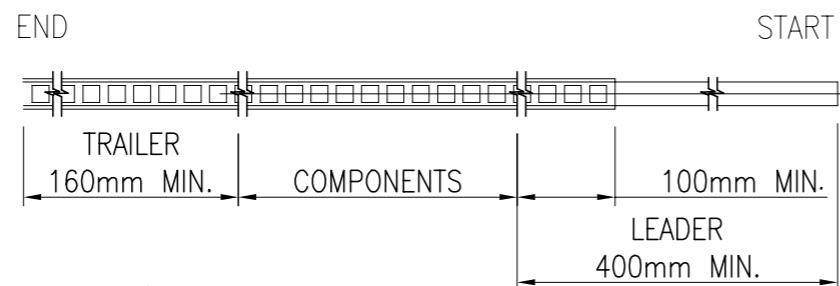
3

2

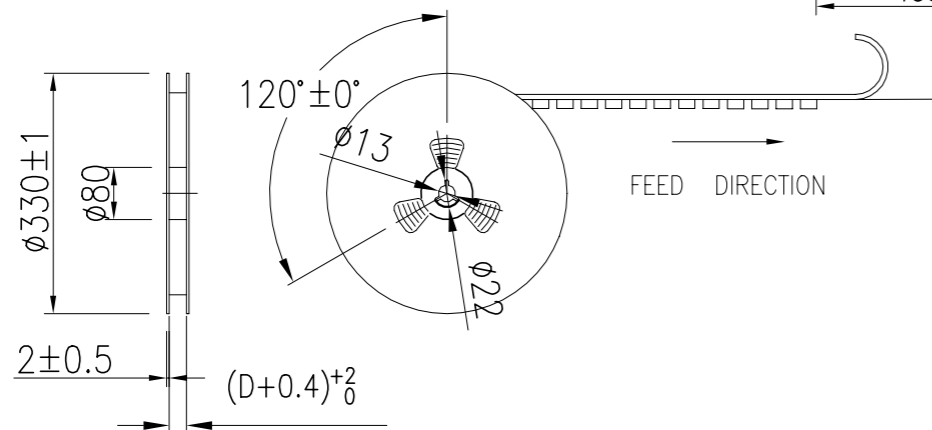
1

REVISIONS

P	LTR	DESCRIPTION	DATE	DWN	APVD
-	-	SEE SHEET 1	-	-	-

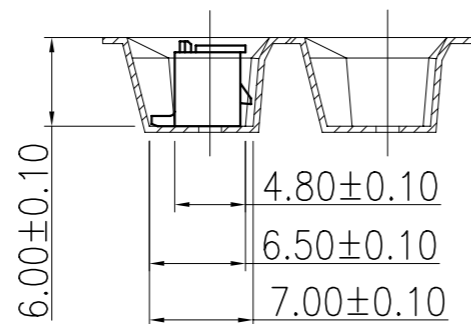
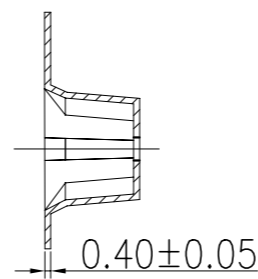
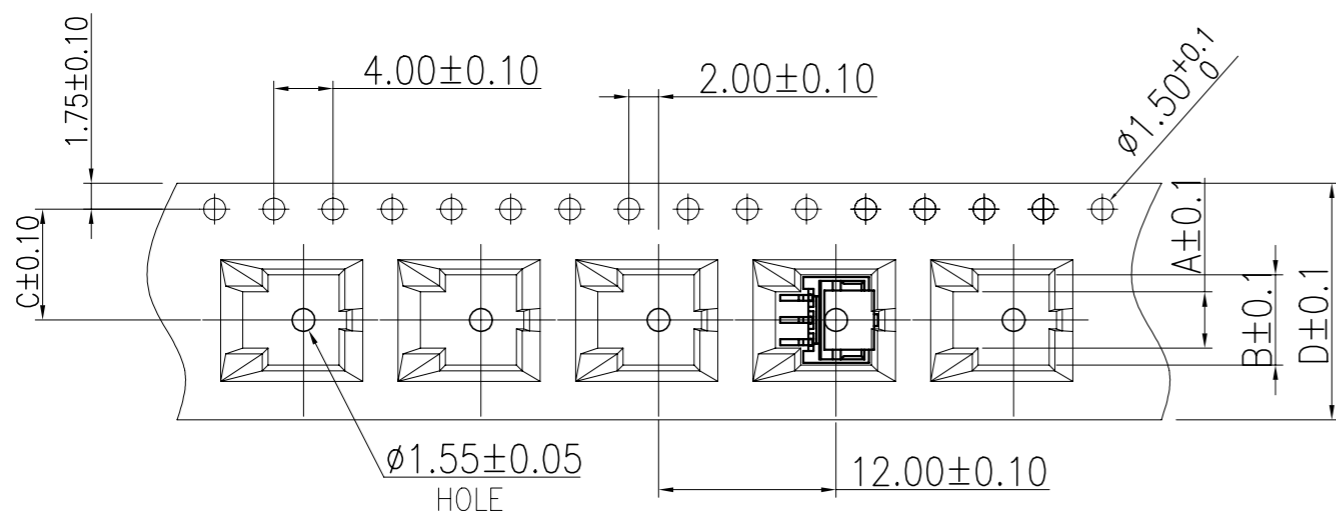



POS. NO	DIM A	DIM B	DIM C	DIM D
2	2.30	4.60	7.50	16.00
3	3.80	6.10		
4	5.30	7.60		



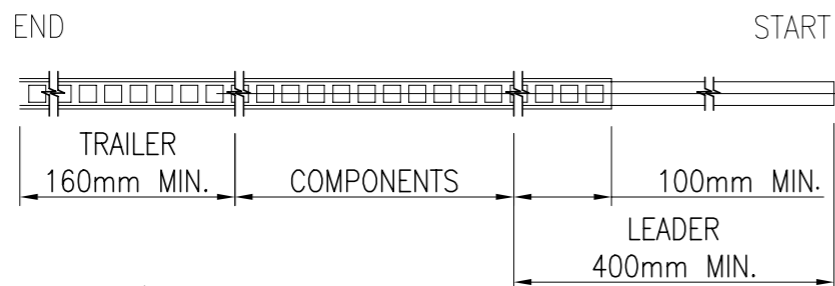
NOTES:

1. 10 SPROCKET HOLE PITCH CUMULATIVE TOLERANCE: ±0.20mm
2. CARRIER CAMBER NOT TO EXCEED 1mm IN 100mm.
3. ALL DIMENSIONS MEET EIA-481-C REQUIREMENTS.
4. MATERIAL: BLACK ANTI-STATIC POLYSTYRENE.
5. THICKNESS: 0.40±0.05 mm.
6. PACKING LENGTH PER 13" REEL : 12.4 METERS.
7. COMPONENT LOAD PER 13" REEL : 950 PCS.
8. PRODUCTS PLACEMENT MUST BE IN THE SAME DIRECTION.



THIS DRAWING IS A CONTROLLED DOCUMENT.		DWN Jone Ji 23SEP2020	 TE Connectivity Ltd.													
DIMENSIONS: mm		CHK Wenke He			NAME											
TOLERANCES UNLESS OTHERWISE SPECIFIED:		APVD Wenke He	1.5P WTB VERTICAL TYPE WITH LATCH													
<table border="1"> <tr><td>0 PLC</td><td>± 0.5</td></tr> <tr><td>1 PLC</td><td>± 0.35</td></tr> <tr><td>2 PLC</td><td>± 0.25</td></tr> <tr><td>3 PLC</td><td>± 0.15</td></tr> <tr><td>4 PLC</td><td>± -</td></tr> <tr><td>ANGLES</td><td>± 2'</td></tr> </table>		0 PLC	± 0.5	1 PLC	± 0.35	2 PLC	± 0.25	3 PLC	± 0.15	4 PLC	± -	ANGLES	± 2'	PRODUCT SPEC	-	
0 PLC	± 0.5															
1 PLC	± 0.35															
2 PLC	± 0.25															
3 PLC	± 0.15															
4 PLC	± -															
ANGLES	± 2'															
MATERIAL SEE NOTE		FINISH -	APPLICATION SPEC	-												
		WEIGHT -	SIZE A3	CAGE CODE 00779	DRAWING NO C=2380320											
CUSTOMER DRAWING			RESTRICTED TO -	SCALE N/A	SHEET 2 of 5											
			REV A													

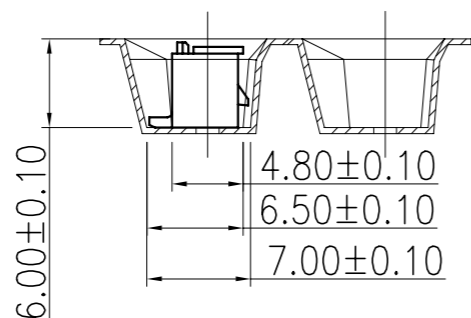
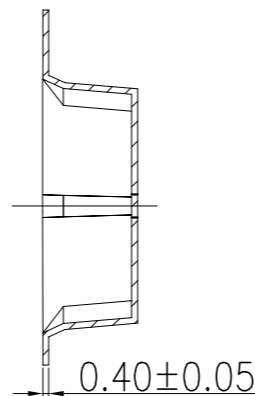
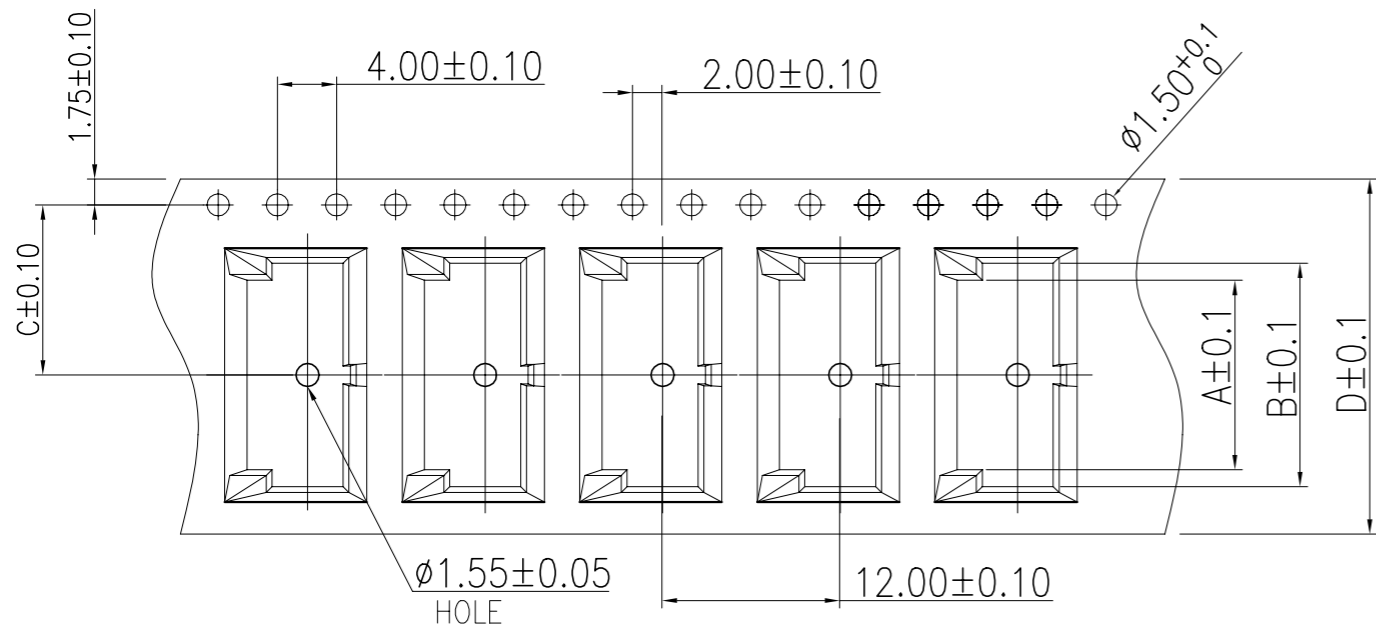
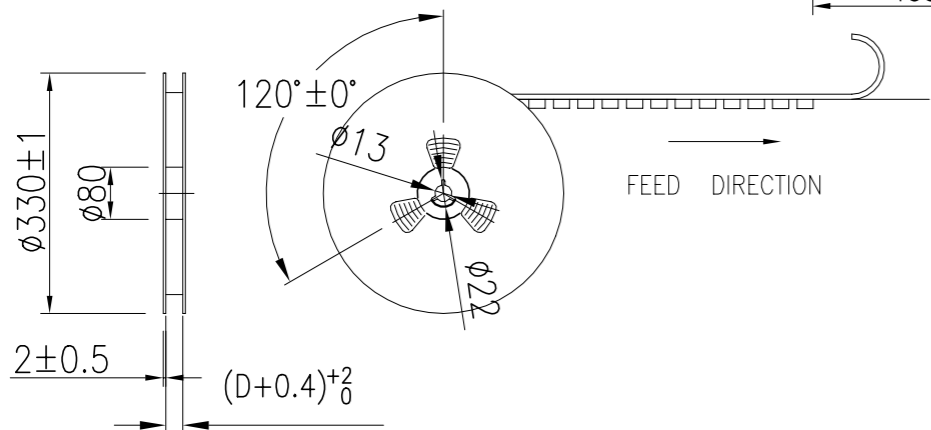
P	LTR	DESCRIPTION	DATE	DWN	APVD
-	-	SEE SHEET 1	-	-	-



POS. NO	DIM A	DIM B	DIM C	DIM D
5	6.80	9.10	11.5	24
6	8.30	10.60		
7	9.80	12.10		
8	11.30	13.60		
9	12.80	15.10		

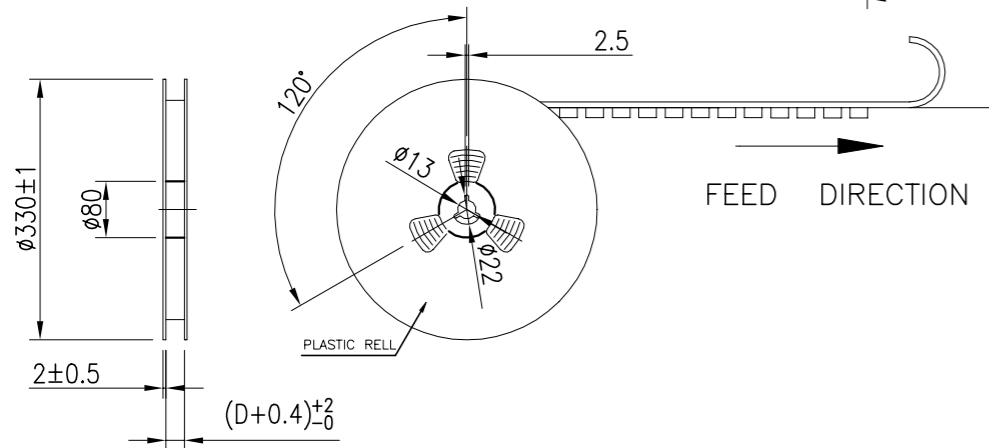
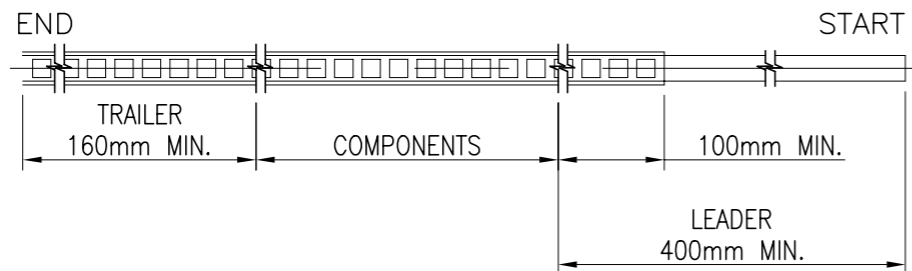
NOTES:

- 10 SPROCKET HOLE PITCH CUMULATIVE TOLERANCE: ±0.20mm
- CARRIER CAMBER NOT TO EXCEED 1mm IN 100mm.
- ALL DIMENSIONS MEET EIA-481-C REQUIREMENTS.
- MATERIAL: BLACK ANTI-STATIC POLYSTYRENE.
- THICKNESS: 0.40±0.05 mm.
- PACKING LENGTH PER 13" REEL : 12.4 METERS.
- COMPONENT LOAD PER 13" REEL : 950 PCS.
- PRODUCTS PLACEMENT MUST BE IN THE SAME DIRECTION.



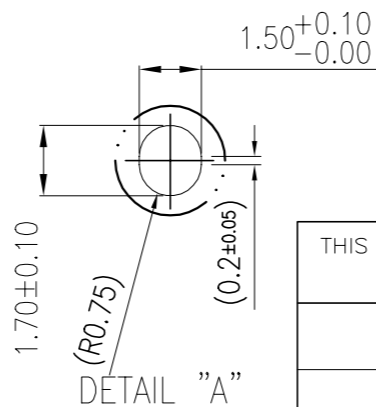
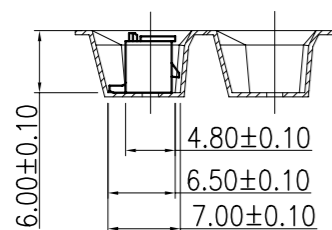
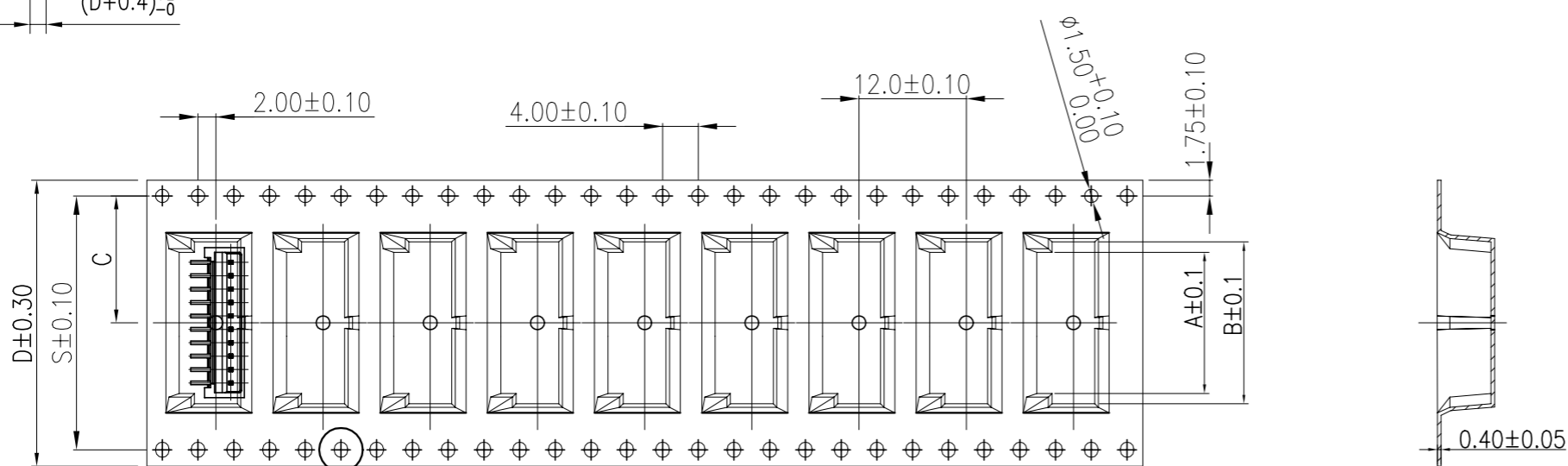
THIS DRAWING IS A CONTROLLED DOCUMENT.		DWN Jone Ji 23SEP2020	TE Connectivity Ltd.													
DIMENSIONS: mm		CHK Wenke He														
TOLERANCES UNLESS OTHERWISE SPECIFIED:		APVD Wenke He	NAME													
<table border="0"> <tr><td>0 PLC</td><td>± 0.5</td></tr> <tr><td>1 PLC</td><td>± 0.35</td></tr> <tr><td>2 PLC</td><td>± 0.25</td></tr> <tr><td>3 PLC</td><td>± 0.15</td></tr> <tr><td>4 PLC</td><td>±</td></tr> <tr><td>ANGLES</td><td>± 2'</td></tr> </table>		0 PLC	± 0.5	1 PLC	± 0.35	2 PLC	± 0.25	3 PLC	± 0.15	4 PLC	±	ANGLES	± 2'	PRODUCT SPEC	1.5P WTB VERTICAL TYPE WITH LATCH	
0 PLC	± 0.5															
1 PLC	± 0.35															
2 PLC	± 0.25															
3 PLC	± 0.15															
4 PLC	±															
ANGLES	± 2'															
MATERIAL SEE NOTE		FINISH -	APPLICATION SPEC	RESTRICTED TO												
		WEIGHT	SIZE A3	CAGE CODE 00779												
		CUSTOMER DRAWING	DRAWING NO C=2380320	REVISION A												
		SCALE N/A	SHEET 3 of 5													

P	LTR	DESCRIPTION	DATE	DWN	APVD
-	-	SEE SHEET 1	-	-	-



POS. NO	DIM A	DIM B	DIM C	DIM D	DIM S
10	14.3	16.6	14.2	32	28.4
11	15.8	18.1			
12	17.3	19.6			
13	18.8	21.1	20.2	44	40.4
14	20.3	22.6			
15	21.8	24.1			
16	23.3	25.6			
17	24.8	27.1			
18	26.3	28.6			
19	27.8	30.1			
20	29.3	31.6			

- NOTES:
- 10 SPROCKET HOLE PITCH CUMULATIVE TOLERANCE:  $\pm 0.20$ mm
  - CARRIER CAMBER NOT TO EXCEED 1mm IN 100mm.
  - ALL DIMENSIONS MEET EIA-481-C REQUIREMENTS.
  - MATERIAL: BLACK ANTI-STATIC POLYSTYRENE.
  - THICKNESS:  $0.40 \pm 0.05$  mm.
  - PACKING LENGTH PER 13" REEL : 12.4 METERS.
  - COMPONENT LOAD PER 13" REEL : 950 PCS.
  - PRODUCTS PLACEMENT MUST BE IN THE SAME DIRECTION.

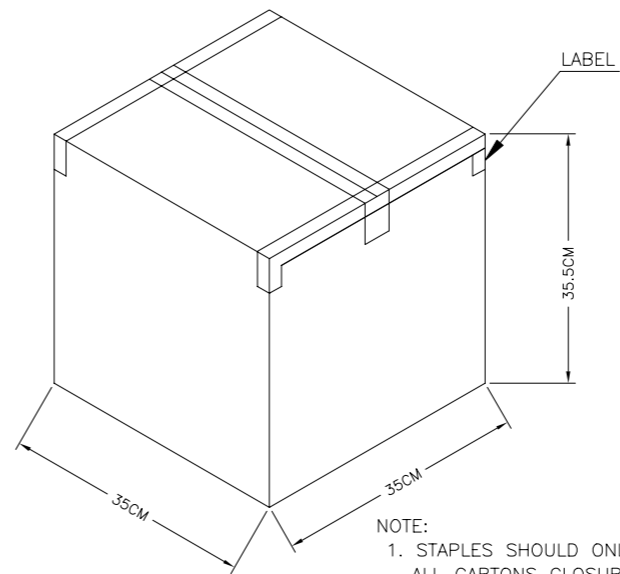
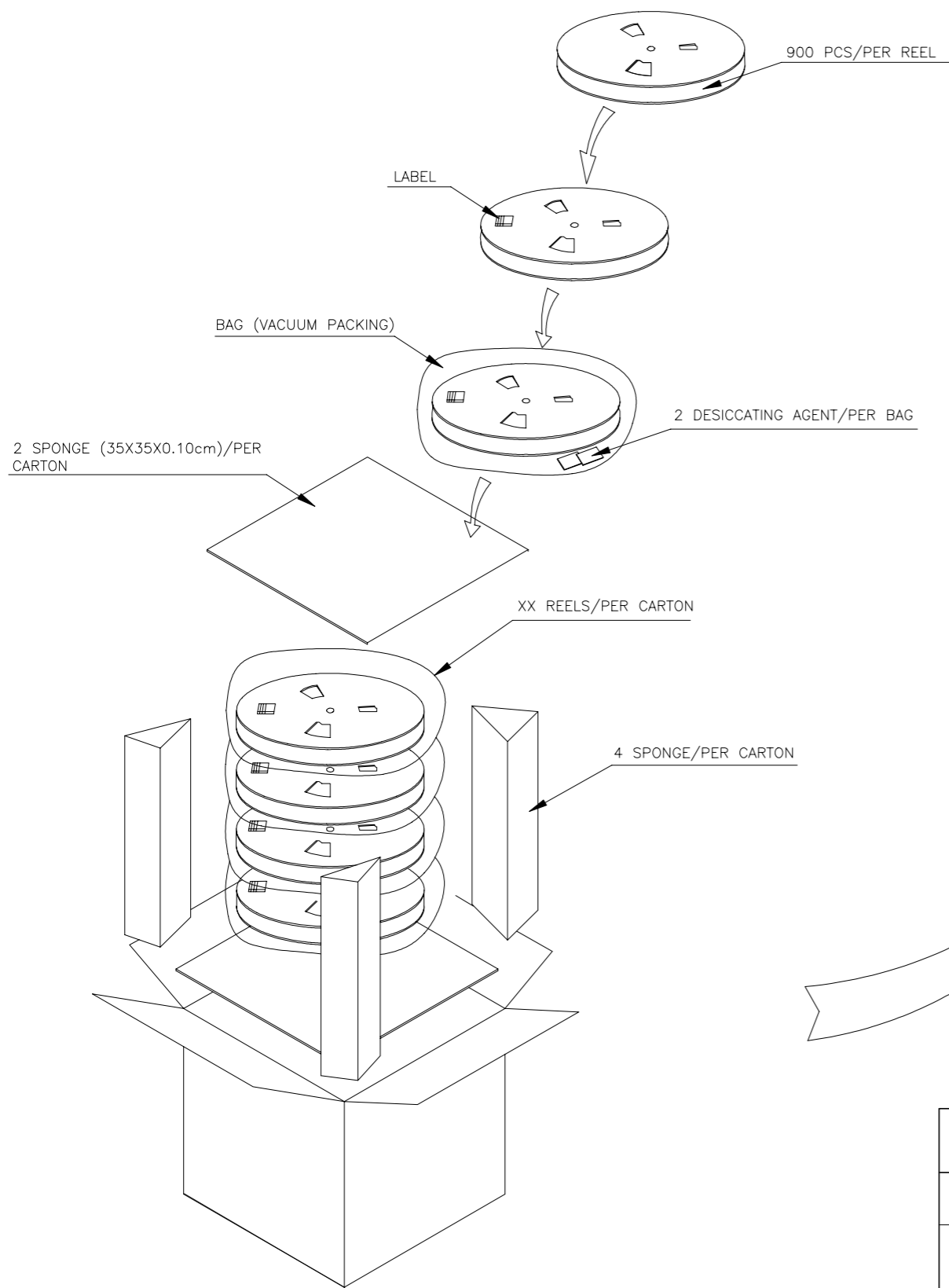


THIS DRAWING IS A CONTROLLED DOCUMENT.		DWN Jone Ji 23SEP2020	TE Connectivity Ltd.													
DIMENSIONS: mm		CHK Wenke He			NAME											
TOLERANCES UNLESS OTHERWISE SPECIFIED:		APVD Wenke He	1.5P WTB VERTICAL TYPE WITH LATCH													
<table border="1"> <tr><td>0 PLC</td><td><math>\pm 0.5</math></td></tr> <tr><td>1 PLC</td><td><math>\pm 0.35</math></td></tr> <tr><td>2 PLC</td><td><math>\pm 0.25</math></td></tr> <tr><td>3 PLC</td><td><math>\pm 0.15</math></td></tr> <tr><td>4 PLC</td><td><math>\pm</math></td></tr> <tr><td>ANGLES</td><td><math>\pm 2'</math></td></tr> </table>		0 PLC	$\pm 0.5$	1 PLC	$\pm 0.35$	2 PLC	$\pm 0.25$	3 PLC	$\pm 0.15$	4 PLC	$\pm$	ANGLES	$\pm 2'$	PRODUCT SPEC	-	
0 PLC	$\pm 0.5$															
1 PLC	$\pm 0.35$															
2 PLC	$\pm 0.25$															
3 PLC	$\pm 0.15$															
4 PLC	$\pm$															
ANGLES	$\pm 2'$															
MATERIAL SEE NOTE		FINISH -	APPLICATION SPEC	-												
		WEIGHT	SIZE A3	CAGE CODE 00779	DRAWING NO C=2380320											
CUSTOMER DRAWING			RESTRICTED TO	-												
			SCALE N/A	SHEET 4 of 5	REV A											

REVISIONS

P	LTR	DESCRIPTION	DATE	DWN	APVD
-	-	SEE SHEET 1	-	-	-

POS.NO.	PARTS PER PRIMARY CARTON	PARTS PER REEL	TOTAL REELS PER PRIMARY CARTON
2	15200(PCS)	950(PCS)	16
3	15200(PCS)	950(PCS)	16
4	15200(PCS)	950(PCS)	16
5	10450(PCS)	950(PCS)	11
6	10450(PCS)	950(PCS)	11
7	10450(PCS)	950(PCS)	11
8	10450(PCS)	950(PCS)	11
9	10450(PCS)	950(PCS)	11
10	8550(PCS)	950(PCS)	9
11	8550(PCS)	950(PCS)	9
12	8550(PCS)	950(PCS)	9
13	6650(PCS)	950(PCS)	7
14	6650(PCS)	950(PCS)	7
15	6650(PCS)	950(PCS)	7



NOTE:  
 1. STAPLES SHOULD ONLY BE USED TO SET UP CARTON  
 ALL CARTONS CLOSURES MUST BE DONE WITH TAPE.  
 2. FILL PACKAGING REEL WITH THE QUANTITIES AS INDICATED  
 IN THE CHART.

THIS DRAWING IS A CONTROLLED DOCUMENT.		DWN Jone Ji 23SEP2020	TE Connectivity Ltd.													
DIMENSIONS: mm		CHK Wenke He														
TOLERANCES UNLESS OTHERWISE SPECIFIED:		APVD Wenke He	NAME													
<table border="0"> <tr><td>0 PLC</td><td>± 0.5</td></tr> <tr><td>1 PLC</td><td>± 0.35</td></tr> <tr><td>2 PLC</td><td>± 0.25</td></tr> <tr><td>3 PLC</td><td>± 0.15</td></tr> <tr><td>4 PLC</td><td>± -</td></tr> <tr><td>ANGLES</td><td>± 2'</td></tr> </table>		0 PLC	± 0.5	1 PLC	± 0.35	2 PLC	± 0.25	3 PLC	± 0.15	4 PLC	± -	ANGLES	± 2'	PRODUCT SPEC -	1.5P WTB VERTICAL TYPE WITH LATCH	
0 PLC	± 0.5															
1 PLC	± 0.35															
2 PLC	± 0.25															
3 PLC	± 0.15															
4 PLC	± -															
ANGLES	± 2'															
MATERIAL SEE NOTE		FINISH -	APPLICATION SPEC -	RESTRICTED TO -												
		WEIGHT -	SIZE A3	CAGE CODE 00779												
		CUSTOMER DRAWING	DRAWING NO C=2380320	SCALE N/A												
			SHEET 5 of 5	REV A												