

3.0x2.6mm Compact Tactile Switch

Features

Optimized Mechanical Features

- Surface mount J bend terminal configurations
- Compatible with IR reflow and manual soldering
- Variety of operating force options

Optimized Contact System

- Excellent tactile feedback

Materials

- Silver coated terminals for better solderability
- High temperature materials (UL94V-0)
- RoHS compliant



Electrical and Mechanical Specifications

Switch Contact Resistance

500 milliohms maximum

Insulation Resistance

100 Megohms minimum between insulated terminals

Maximum Rating

50mA, 12 VDC

Dielectric Strength

250 VAC for 1 minute between adjacent terminals

Operating Force

100, 160 or 240 gf

Travel

0.15 mm

Operating Temperature

- 40°C to +85°C

Storage Temperature

- 40°C to +85°C

Actuator Strength

3 Kgf. maximum

Actuation Life

100 gf: 100,000 cycles
160 gf: 300,000 cycles
240 gf: 200,000 cycles

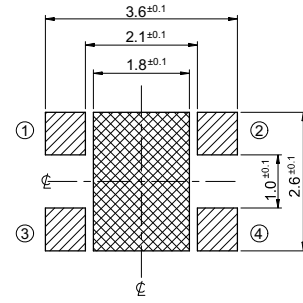
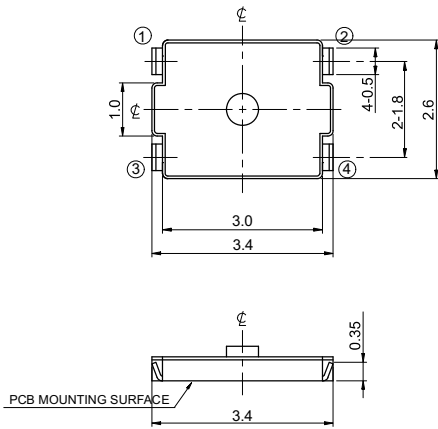
Allowable Solder Time

IR Reflow: Up to 5 seconds at 260°C
Manual soldering: Up to 3 seconds at 350°C

Packaging

Standard: Tape and reel packaging with 330mm diameter reel and 12mm wide plastic tape

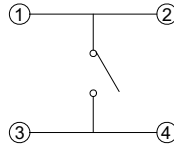
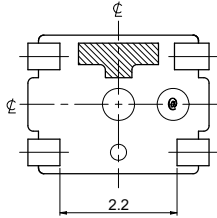
CTS SERIES 226CJVAAR - Surface Mount J Bend Terminal, 100gf



Do not place circuit in this area

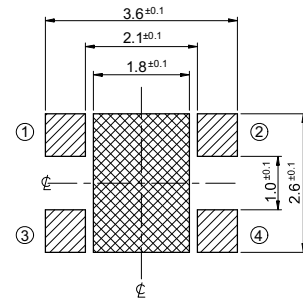
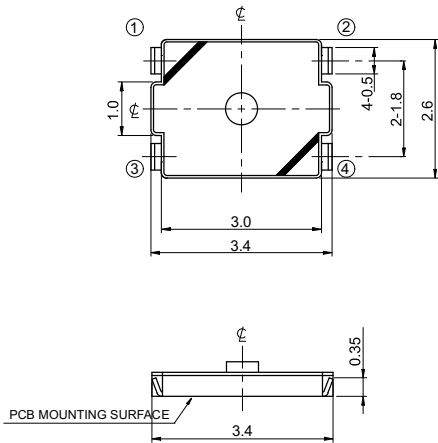
PCB LAYOUT

CIRCUIT DIAGRAM



DIMENSION : mm
STANDARD TOLERANCE :
.X (1 PLACE) : ±0.2

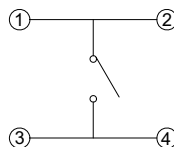
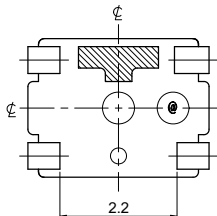
CTS SERIES 226CJVABR - Surface Mount J Bend Terminal, 160gf



Do not place circuit in this area

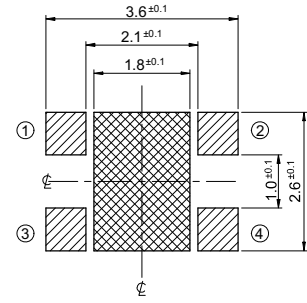
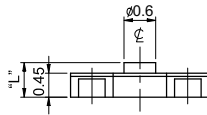
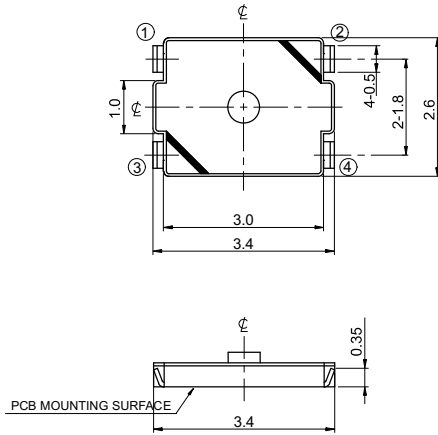
PCB LAYOUT

CIRCUIT DIAGRAM

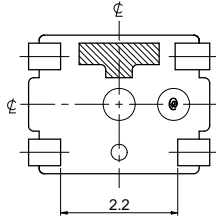


DIMENSION : mm
STANDARD TOLERANCE :
.X (1 PLACE) : ±0.2

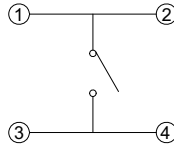
CTS SERIES 226CJVBCR - Surface Mount J Bend Terminal, 240gf



PCB LAYOUT

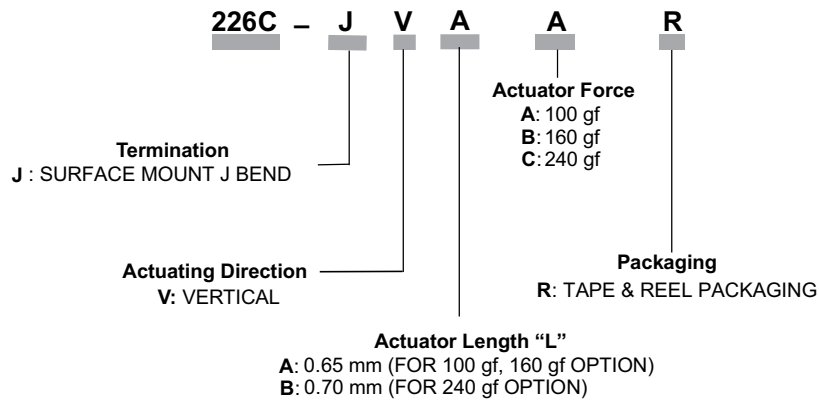


CIRCUIT DIAGRAM



DIMENSION : mm
STANDARD TOLERANCE :
X (1 PLACE) : ±0.2

Ordering Information



Note:

Consult CTS for other common features not listed.