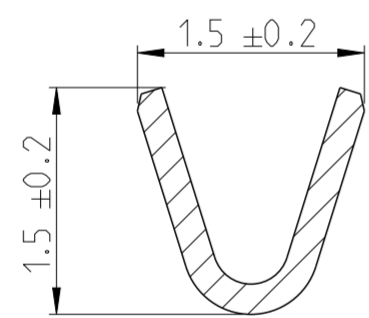
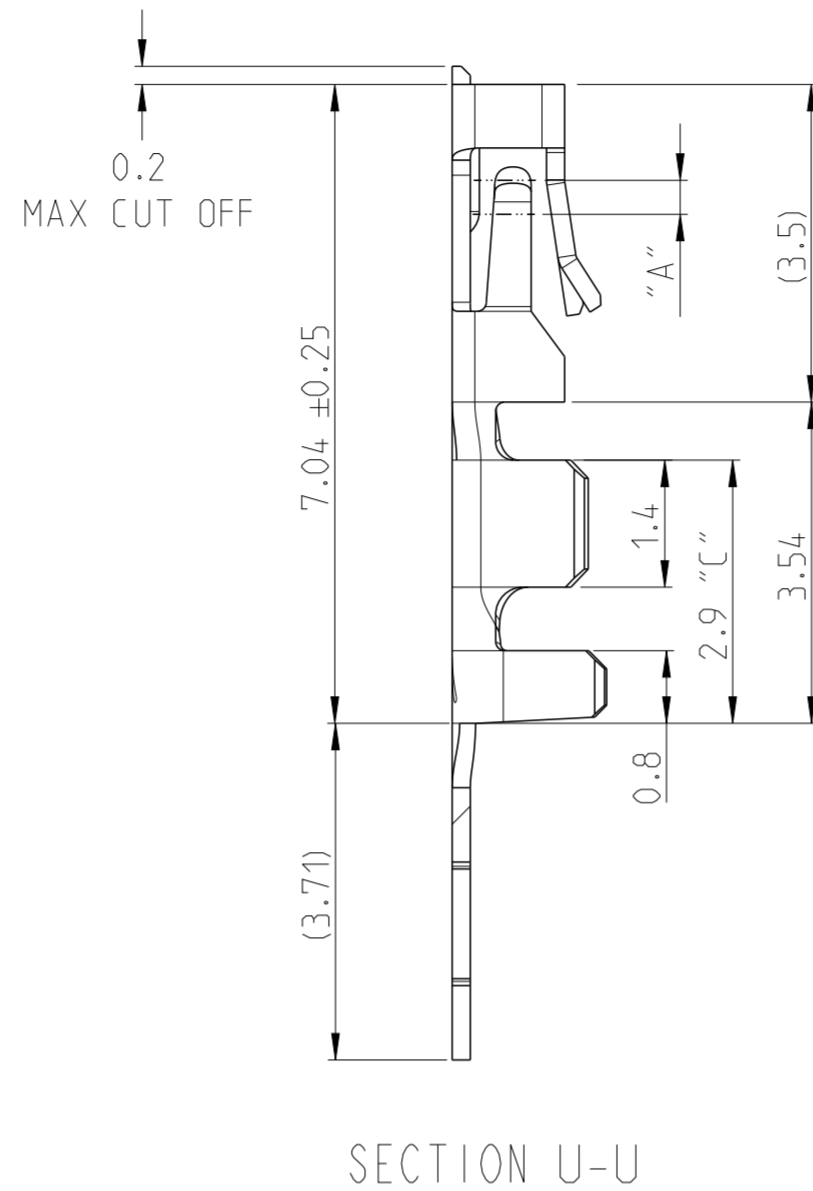
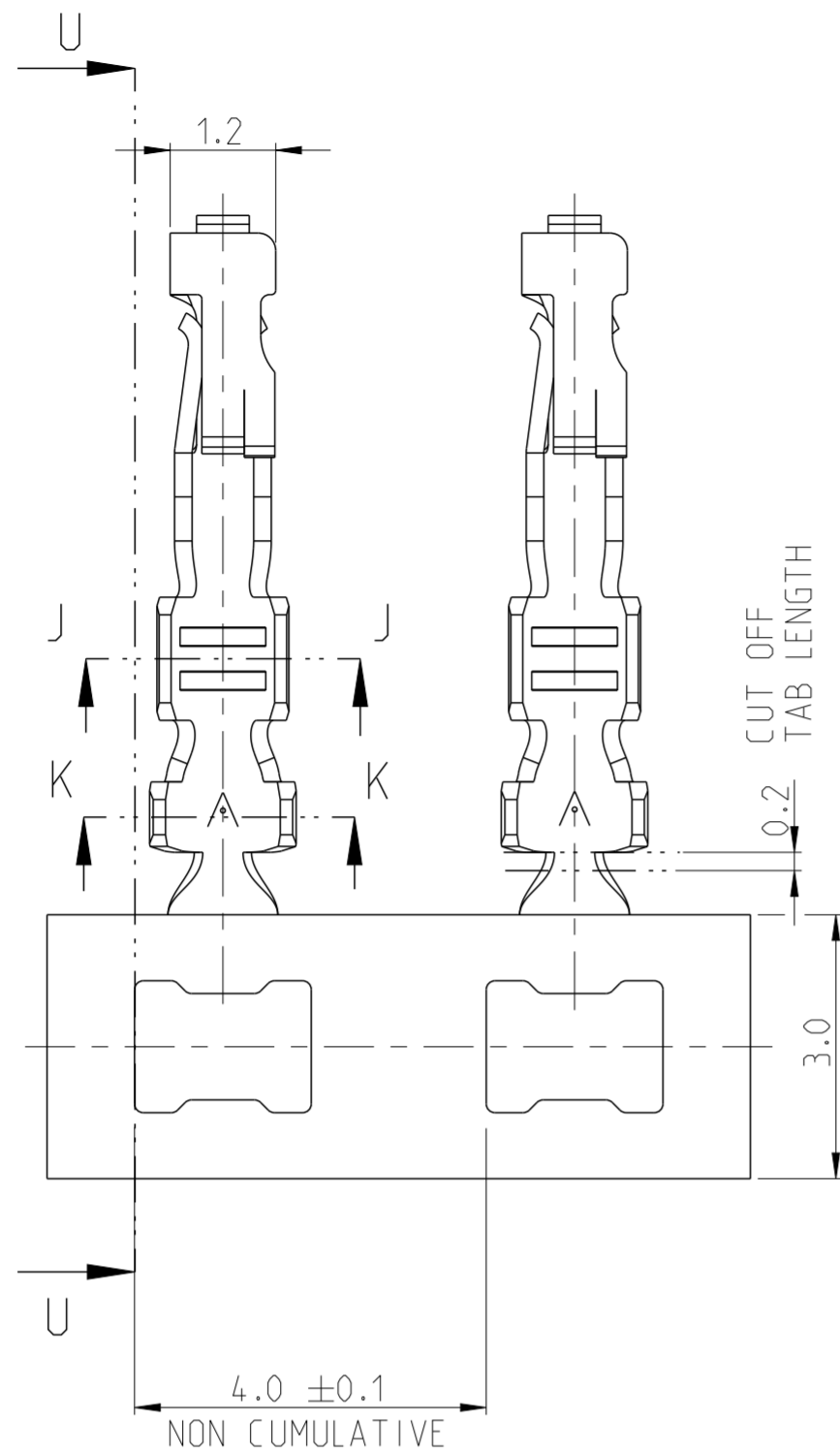
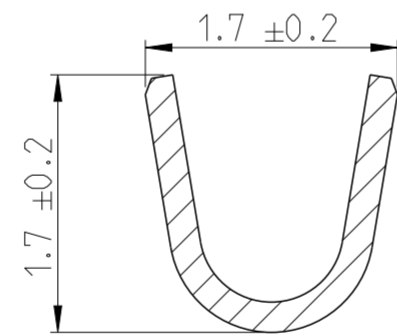


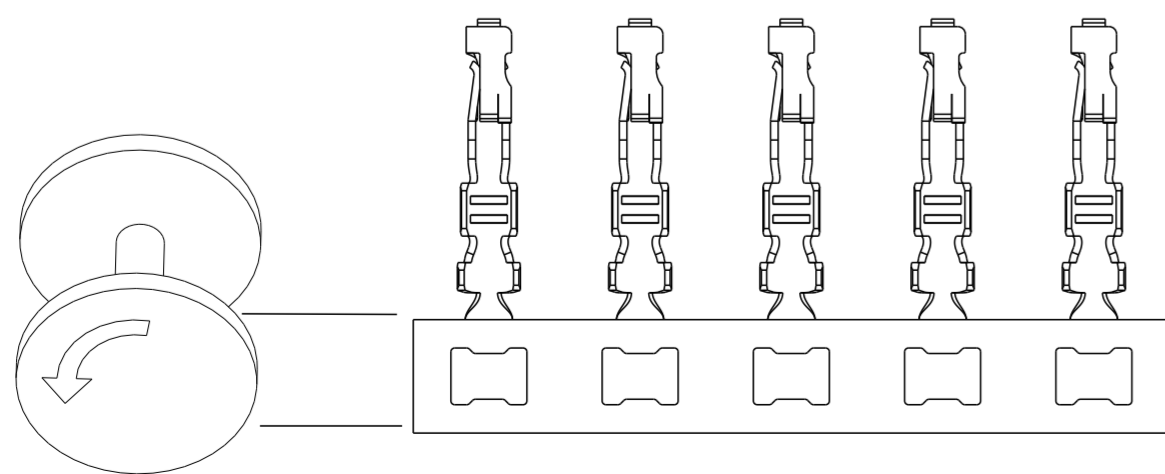
P	LTR	DESCRIPTION	DATE	DWN	APVD
A		RELEASE TO PRODUCTION	18 JUN 2020	AY	PS
A1		SMART PN DETAILS ADDED	15 FEB 2022	SCB	PS



SECTION J-J
20:1



SECTION K-K
20:1



WIRE RANGE: 0.08-0.22 mm² (28-24 AWG)
INSULATION RANGE: Ø1.0mm MAX

- NOTES:
- 1 MATERIAL: PHOSPHOR BRONZE, 0.2mm THICK
 - 2 FINISH: 1.27-2.54 µm TIN ALL OVER
UNDERPLATE 1.27 µm MIN NICKEL ALL OVER
 - 3 CONTACT AREA "A": MIN 0.1 µm THK GOLD
CRIMP AREA "C" : 1.27 - 2.54 µm THK TIN
UNDERPLATE 1.27 µm MIN NICKEL ALL OVER
 - 4 CONTACT AREA "A" : MIN 0.38 µm THK GOLD
CRIMP AREA "C" : 1.27 - 2.54 µm THK TIN
UNDERPLATE 1.27 µm MIN NICKEL ALL OVER
 - 5 CONTACT AREA "A" : MIN 0.76 µm THK GOLD
CRIMP AREA "C" : 1.27 - 2.54 µm THK TIN
UNDERPLATE 1.27 µm MIN NICKEL ALL OVER
 6. APPLICABLE HOUSINGS :
SINGLE ROW : 2316102
DUAL ROW : 2316108, 2316109

5	-	2MM-RT-M-H-LP	5-2316113-6	LOOSE PIECE - HANDTOOL
5	30,000	2MM-RT-M-H-ST	5-2316113-5	OCEAN APPLICATOR
4	-	2MM-RT-M-M-LP	4-2316113-5	LOOSE PIECE - HANDTOOL
4	30,000	2MM-RT-M-M-ST	4-2316113-4	OCEAN APPLICATOR
3	-	2MM-RT-M-F-LP	3-2316113-4	LOOSE PIECE - HANDTOOL
3	30,000	2MM-RT-M-F-ST	3-2316113-3	OCEAN APPLICATOR
2	-	2MM-RT-M-T-LP	2-2316113-3	LOOSE PIECE - HANDTOOL
2	30,000	2MM-RT-M-T-ST	2-2316113-2	OCEAN APPLICATOR
FINISH	QTY PER REEL	SMART PN	PART NUMBER	TOOLING

THIS DRAWING IS A CONTROLLED DOCUMENT.

DIMENSIONS: mm	TOLERANCES UNLESS OTHERWISE SPECIFIED:	DWN SOURAV DAS 29 OCT 2017	TE Connectivity
0 PLC ±	±0.15	CHK RAKSHITH NAYAK 29 OCT 2017	
1 PLC ±0.10	±0.10	APVD PRASHANTH S 11 DEC 2017	
2 PLC ±	±	PRODUCT SPEC	NAME AMPMODU 2mm RECEPTACLE, wTB CRIMP CONTACT, AWG 28-24
3 PLC ±	±	APPLICATION SPEC	108-64040-1
4 PLC ±	±	WEIGHT	114-32173
ANGLES ±2°	±2°	CUSTOMER DRAWING	SCALE 12:1 SHEET 1 OF 2 REV A1

P	LTR	DESCRIPTION	DATE	DWN	APVD
		SEE SHEET 1			

SMART PART NUMBER
2MM - RT - M - _ - _

PRODUCT SERIES

2MM AMPMODU 2mm SERIES

PACKAGING

ST	STRIP
LP	LOOSE PIECE

GENDER / TYPE

RT RECEPTACLE CRIMP CONTACT

PLATING


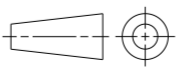
T	TIN
F	GOLD FLASH
M	0.38 μm GOLD
H	0.76 μm GOLD

WIRE SIZE

M AWG 28-24

SMART PN EXAMPLES:

- 2MM-RT-M-T-ST:
AMPMODU 2mm, RECEPTACLE CRIMP CONTACT, AWG 28-24 SIZE WIRE, TIN PLATED, STRIP PACKAGING
- 2MM-RT-M-M-LP:
AMPMODU 2mm, RECEPTACLE CRIMP CONTACT, AWG 28-24 SIZE WIRE, 0.38 μm GOLD PLATED, LOOSE PIECE PACKAGING

THIS DRAWING IS A CONTROLLED DOCUMENT.		DWN SOURAV DAS 29OCT2017	 TE Connectivity		
DIMENSIONS: mm		CHK RAKSHITH NAYAK 29OCT2017			
TOLERANCES UNLESS OTHERWISE SPECIFIED:		APVD PRASHANTH S 11DEC2017	NAME AMPMODU 2mm RECEPTACLE, wTB CRIMP CONTACT, AWG 28-24		
		PRODUCT SPEC 108-64040-1	RESTRICTED TO -		
MATERIAL SEE NOTE		APPLICATION SPEC 114-32173	SIZE A2	CAGE CODE 100779	DRAWING NO C-2316113
FINISH -		WEIGHT -	SCALE 1:1		SHEET 2 OF 2
		CUSTOMER DRAWING		REV A1	