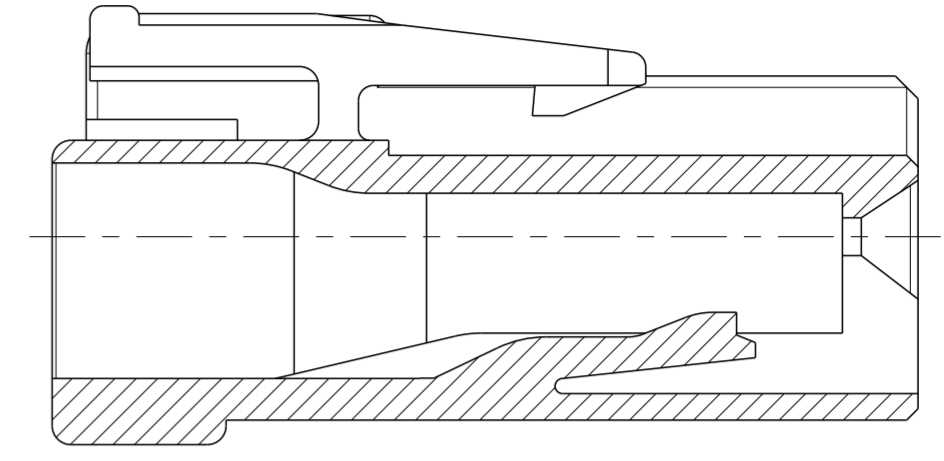
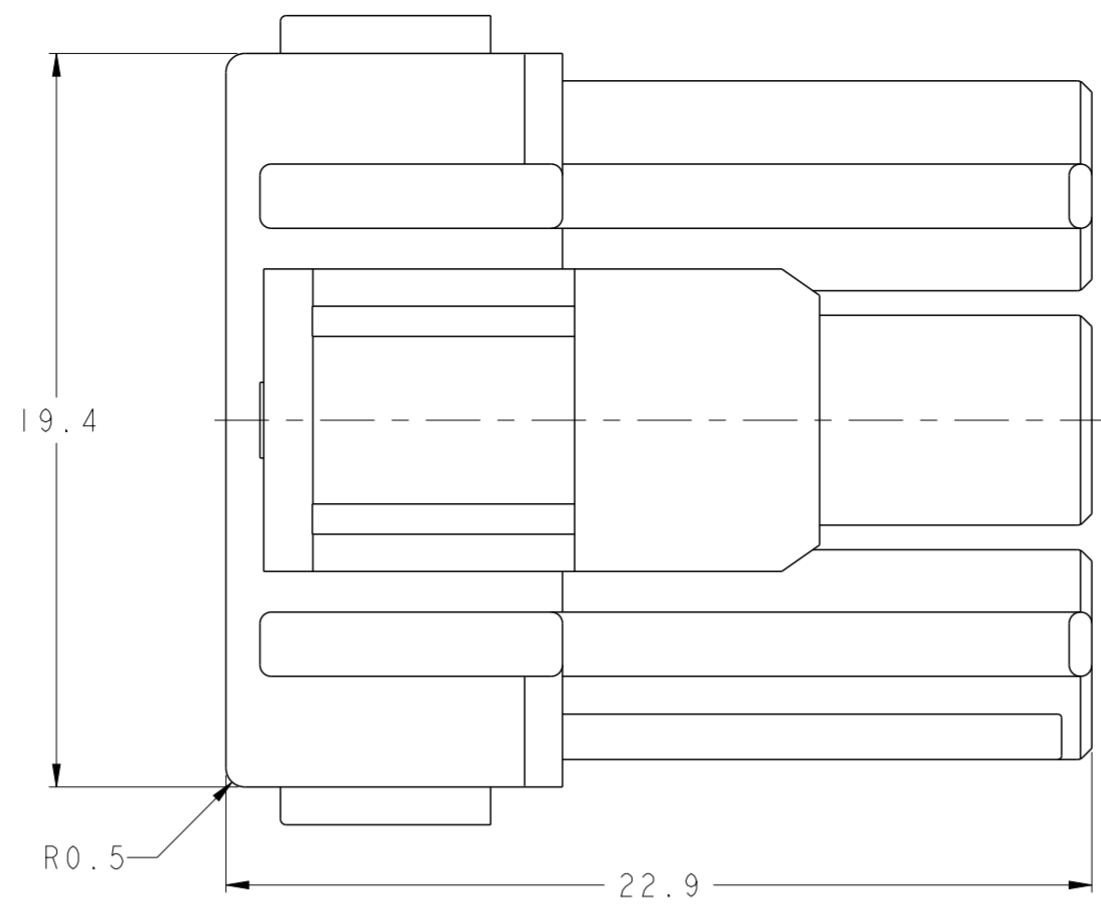


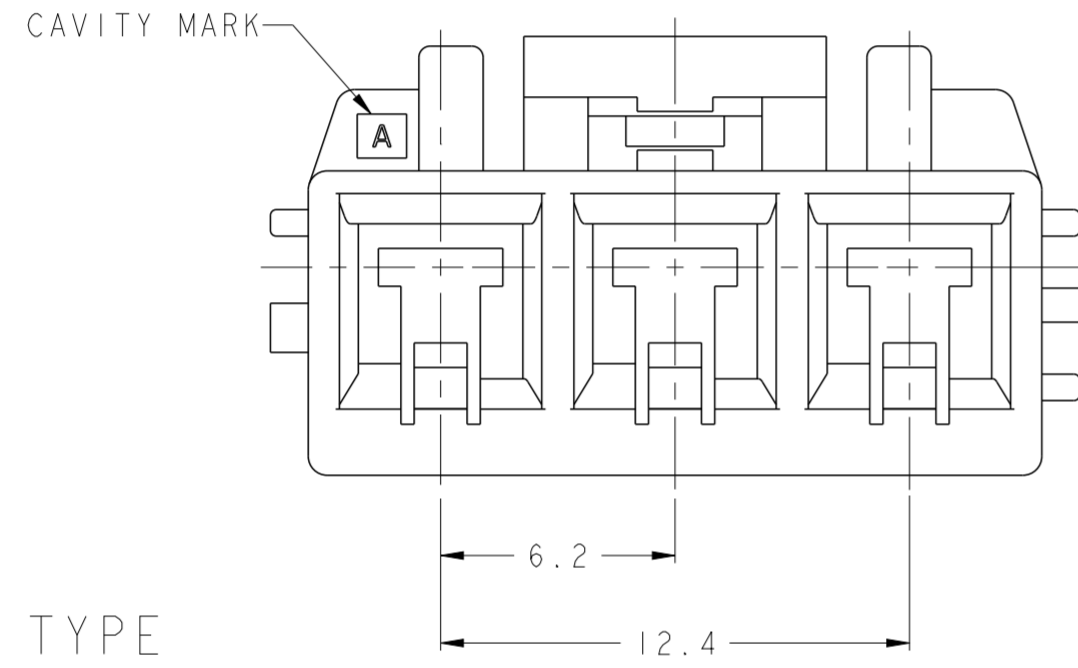
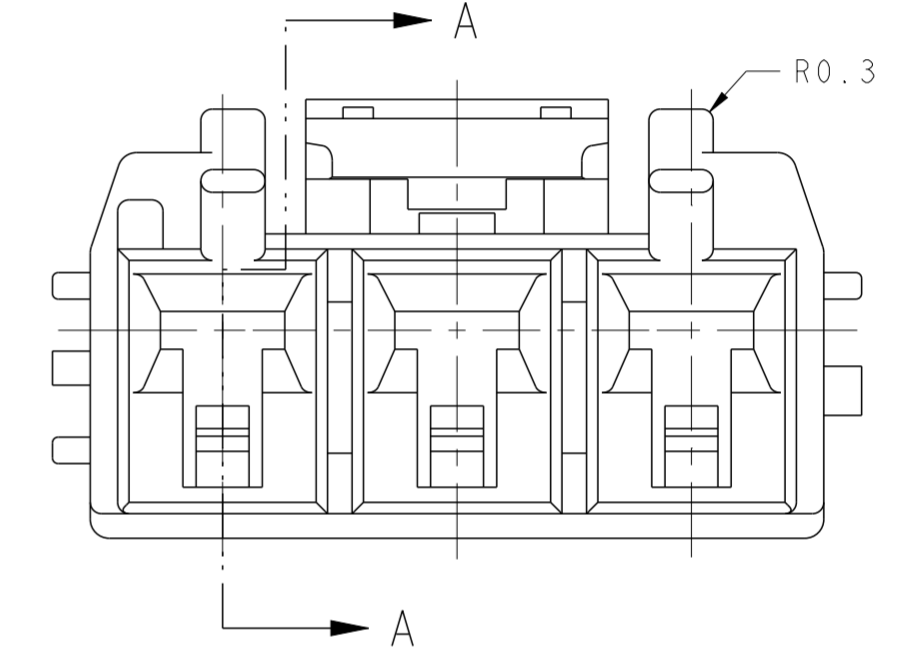
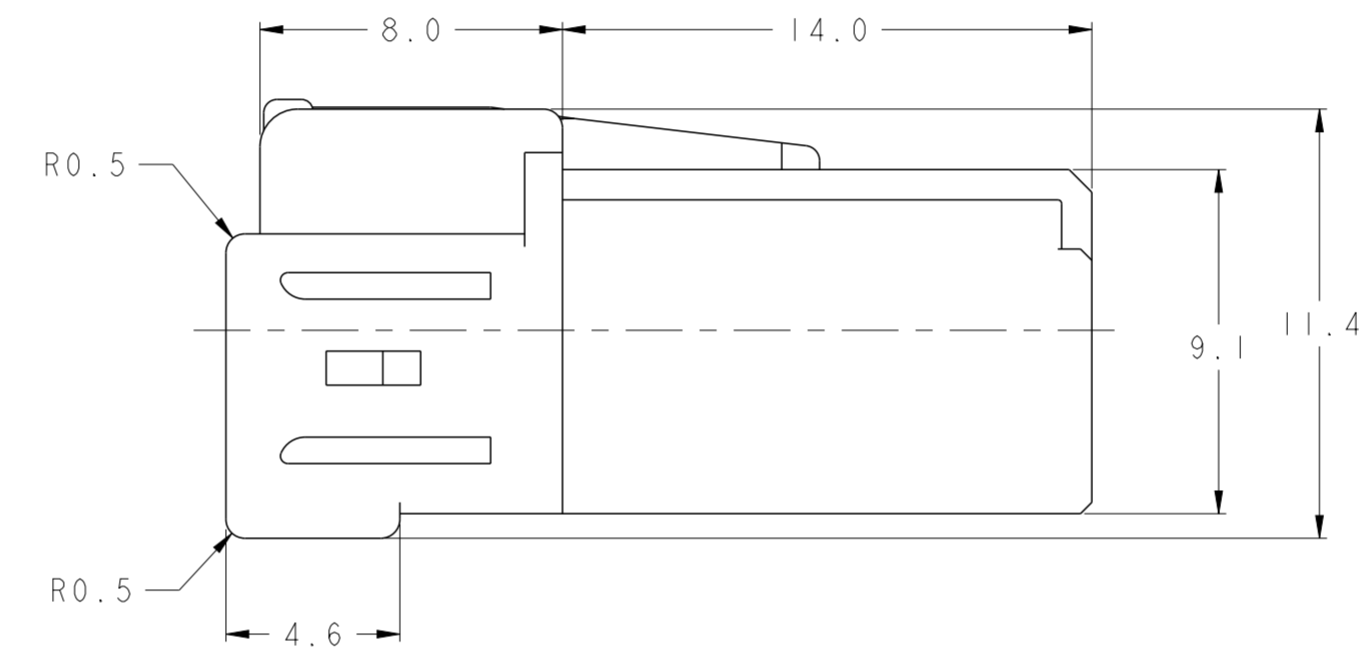
REVISIONS					
P	LTR	DESCRIPTION	DATE	DWN	APVD
	E1	ECR-18-001805	06FEB2018	SC	BH

NOTES:

- ① MATING CONN. P/N  
 -HDR ASSEMBLY:SEE TABLE  
 -REC CONTACT :1746971-1  
                   :1746972-1  
 -TPA:1-2232564-1
- ② AN UNEVEN COLORING MIGHT COME OUT.MA
- 3 PARTS MEET WITH GWT 750°C

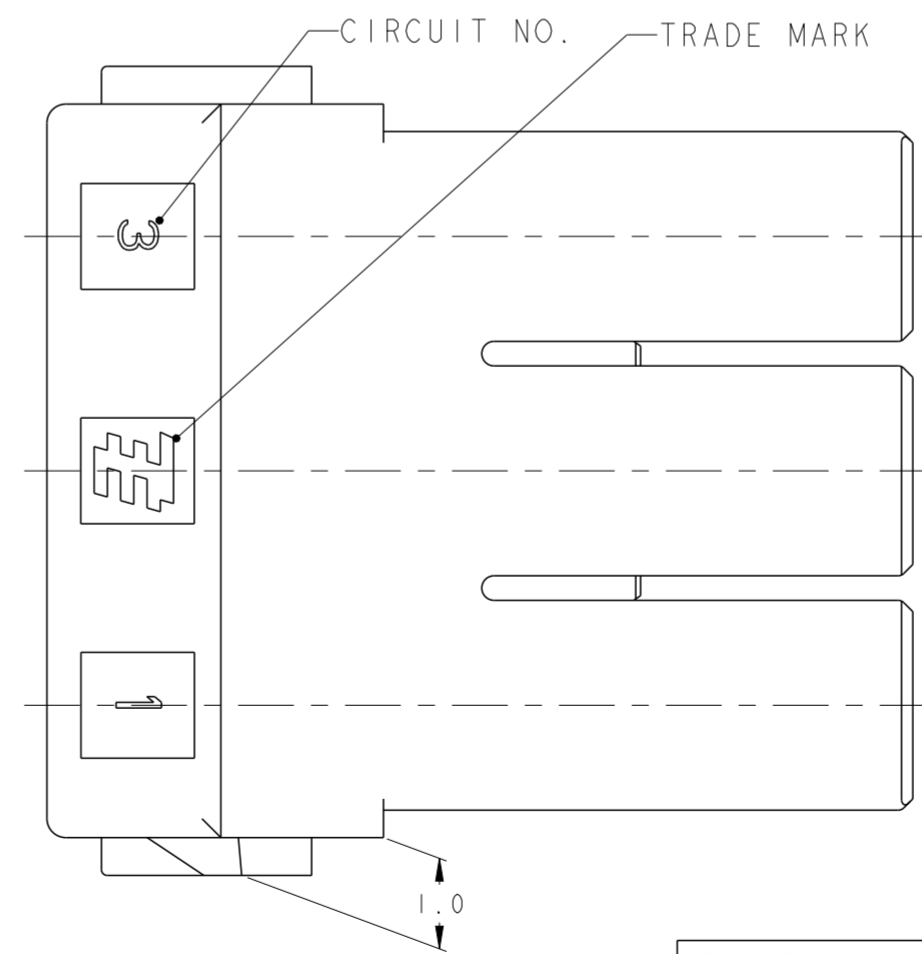


SECTION A-A



KEYING TYPE SCALE 4:1

<p>TYPE-A COLOR:NATURAL</p>	<p>TYPE-B COLOR:RED</p>
<p>TYPE-C COLOR:BLUE</p>	<p>TYPE-D COLOR:YELLOW</p>



1747996-4	TYPE D	② YELLOW	1747995-4
1747996-3	TYPE C	② BLUE	1747995-3
1747996-2	TYPE B	② RED	1747995-2
1747996-1	TYPE A	NATURAL	1747995-1
① MATING CONN. P/N	KEYING TYPE	COLOR	PART NUMBER

THIS DRAWING IS A CONTROLLED DOCUMENT.

DIMENSIONS: mm	TOLERANCES UNLESS OTHERWISE SPECIFIED: 0 PLC ±0.3 1 PLC ±0.3 2 PLC ±0.3 3 PLC ±0.2 4 PLC ±0.2 ANGLES ±3° FINISH -	MATERIAL PA66, G/F UL94 V-0	DWN A.OISHI 07DEC2004 CHK N.YAMASAKI 07DEC2004 APVD S.MANABE 07DEC2004 PRODUCT SPEC 108-78232 APPLICATION SPEC 114-5356 WEIGHT -	TE Connectivity NAME GRACE HI-CURRENT(GHC) EYELET 6.2mm 3POS PLUG HOUSING SIZE A2 CAGE CODE 00779 DRAWING NO. C-1747995 RESTRICTED TO SCALE 5:1 SHEET OF REV E1
-------------------	--	-----------------------------------	---	--

CUSTOMER DRAWING