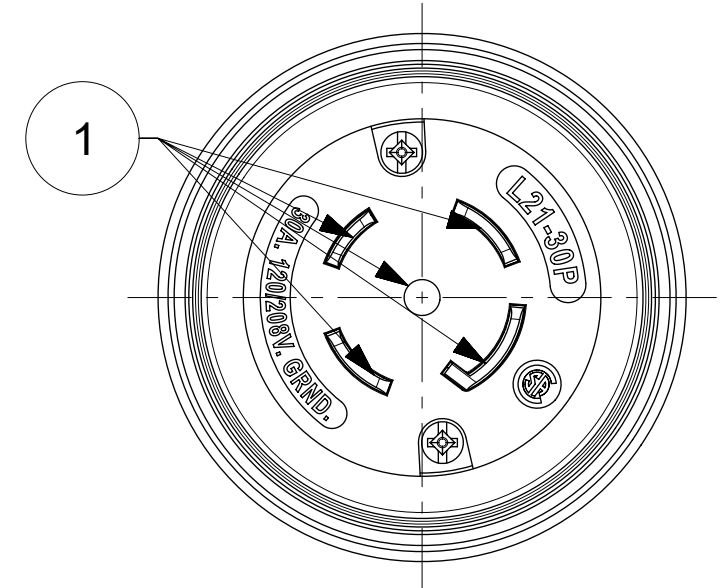
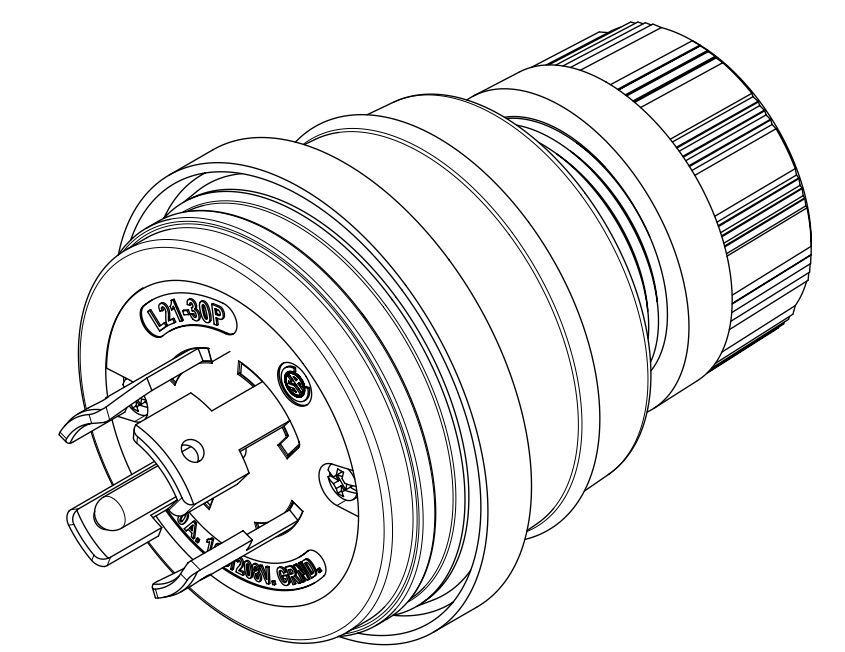
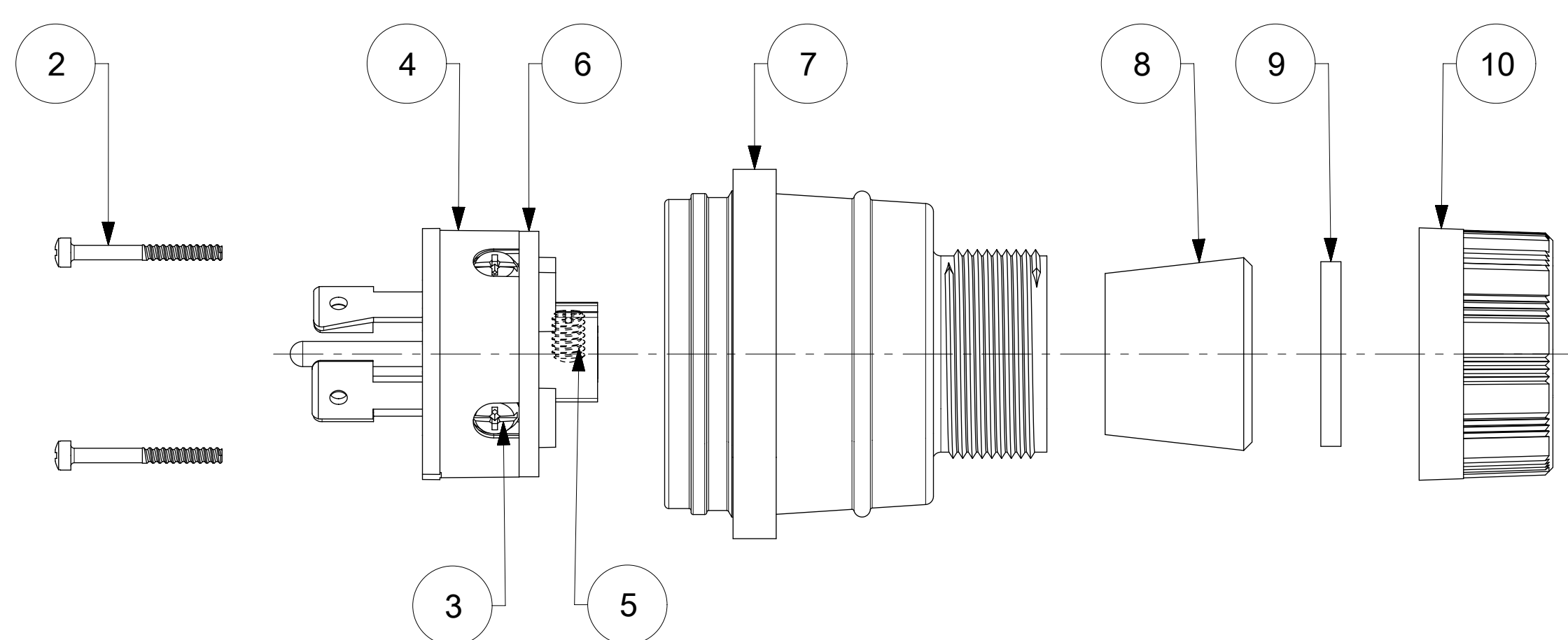
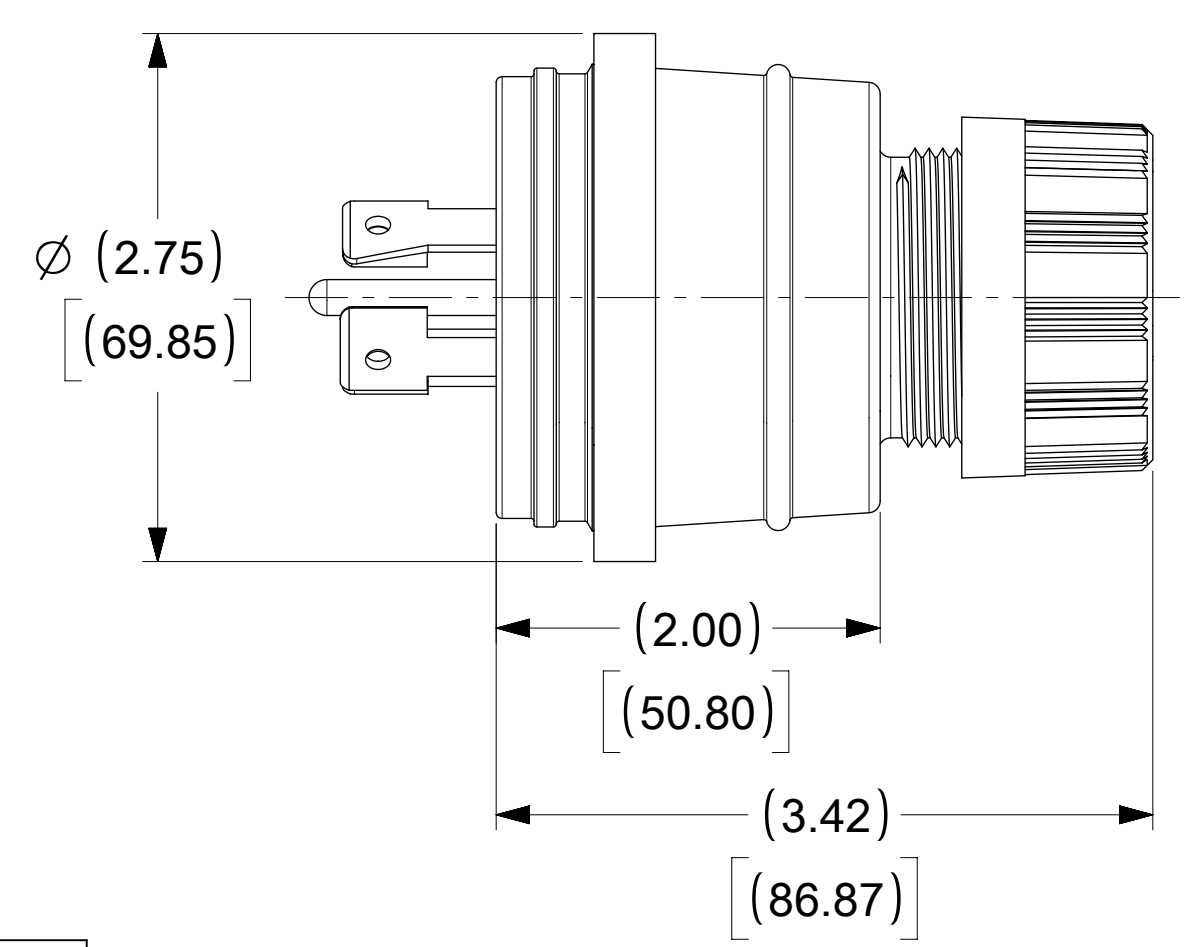


| | | |
|-------------|--------------|--------|
| ORDER NO. | WOODHEAD NO. | COLOR |
| 130147-0287 | 28W81-P | YELLOW |



FACE VIEW



| ITEM NO. | DESCRIPTIONS | MATERIAL | QTY. |
|----------|-------------------------------|---------------------------|------|
| 1 | BLADE | BRASS, NICKEL PLATED | 5 |
| 2 | RETAINING SCREWS | STAINLESS STEEL | 2 |
| 3 | CLAMP AND TERMINAL SCREW ASSY | BRASS, ZINC PLATED | 4 |
| 4 | INSERT | NYLON | 1 |
| 5 | SET SCREW | STAINLESSSTEEL | 1 |
| 6 | TERMINAL COVER | POLYCARBONATE | 1 |
| 7 | HOUSING | SILICON WITH NYLON THREAD | 1 |
| 8 | GROMMET | RUBBER | 1 |
| 9 | FRICTION RING | NYLON | 1 |
| 10 | COMPRESSION NUT | NYLON | 1 |

| | | | |
|---|--|--|--|
| SYMBOLS DIMENSION UNITS: INCH[MM] SCALE: NTS CURRENT REV DESC: RELEASED | | molex WATERTITE PLUG 4P5W L21-30 | |
| GENERAL TOLERANCES (UNLESS SPECIFIED) 4 PLACES ± 3 PLACES ± 2 PLACES ± 1 PLACE ± 0 PLACES ± ANGULAR TOL ± ° | | EC NO: 614381 DRWN: DSOPPIN 2018/12/26 CHK'D: DNGUYEN62 2019/04/16 APPR: HKNEELAND 2019/04/25 INITIAL REVISION: DRWN: DSOPPIN 2018/12/26 APPR: HKNEELAND 2019/04/25 | |
| DRAFT WHERE APPLICABLE MUST REMAIN WITHIN DIMENSIONS | | THIRD ANGLE PROJECTION DRAWING SERIES: C-SIZE 130147 | |
| DOCUMENT STATUS: P1 RELEASE DATE: 2019/04/25 22:38:06 | | PRODUCT CUSTOMER DRAWING DOCUMENT NUMBER: 1301470287 DOC TYPE: PSD DOC PART: 000 REVISION: A MATERIAL NUMBER: SEE TABLE CUSTOMER: GENERAL MARKET SHEET NUMBER: 1 OF 1 | |