

7

6

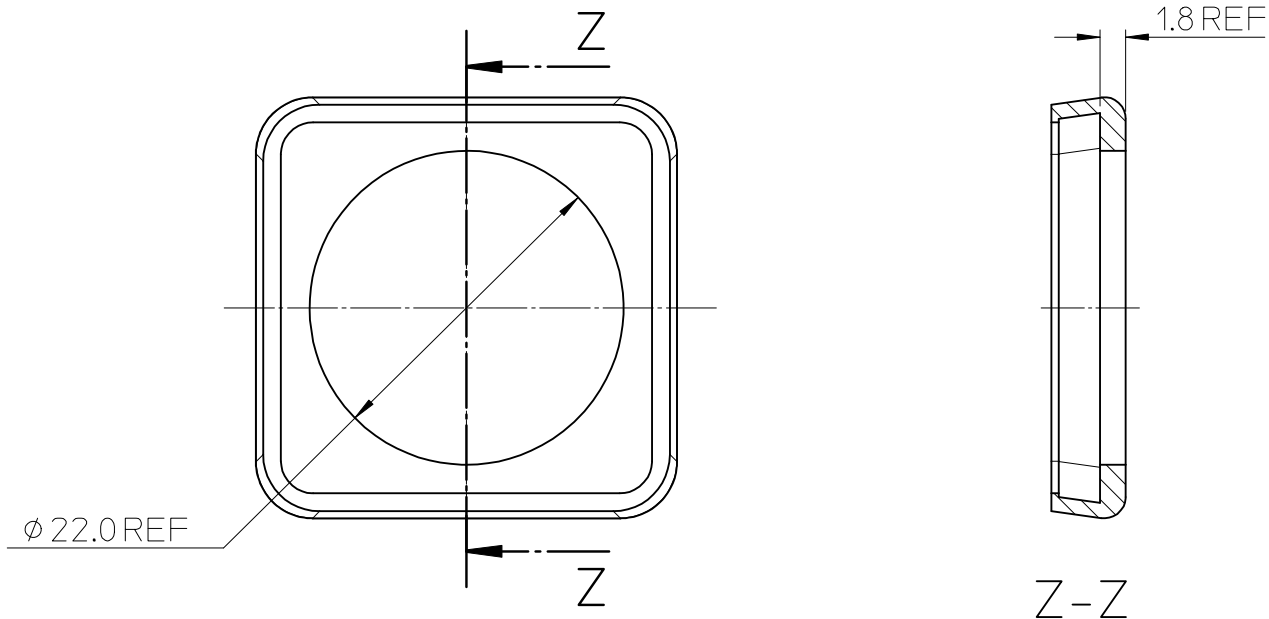
5

4

3

2

1



NOTES:

- 1. MATERIAL: NBR  
COLOUR: BLACK
- 2. PACKAGING SPEC: PK-121129-001  
100 PIECES IN A PLASTIC BAG
- 3. mPm NO: 3011-03

ORIGINAL RELEASE EC NO: IPG2013-1176 DRWN:DSHEA 2013/01/31 CHKD:SMCGREEVY 2013/02/19 APPR:STGRIFFIN 2013/02/28	QUALITY SYMBOLS ▽=0 ◻=0	GENERAL TOLERANCES (UNLESS SPECIFIED)		DIMENSION STYLE MM ONLY		SCALE 2:1	DESIGN UNITS METRIC	THIRD ANGLE PROJECTION				
			mm	INCH	DRAWN BY DSHEA	DATE 2013/01/31	TITLE G11 NBR PROFILE GASKET 100 PIECES/BAG					
		4 PLACES	± ---	± ---	CHECKED BY SMCGREEVY	DATE 2013/02/19						
		3 PLACES	± ---	± ---	APPROVED BY STGRIFFIN	DATE 2013/02/28	<b>molex</b>					
2 PLACES	± 0.10	± ---	MATERIAL NO. 1211290080		DOCUMENT NO. SD-121129-080						SHEET NO. 1 OF 1	
1 PLACE	± 0.20	± ---	DRAFT WHERE APPLICABLE MUST REMAIN WITHIN DIMENSIONS									
0 PLACE	± ---	± ---	SIZE A4 THIS DRAWING CONTAINS INFORMATION THAT IS PROPRIETARY TO MOLEX INCORPORATED AND SHOULD NOT BE USED WITHOUT WRITTEN PERMISSION									

6

5

4

3

2

1