

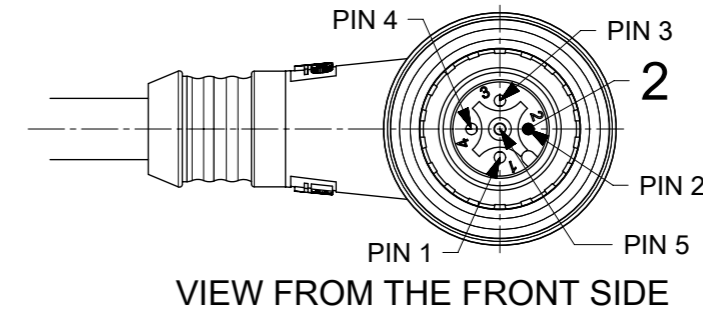
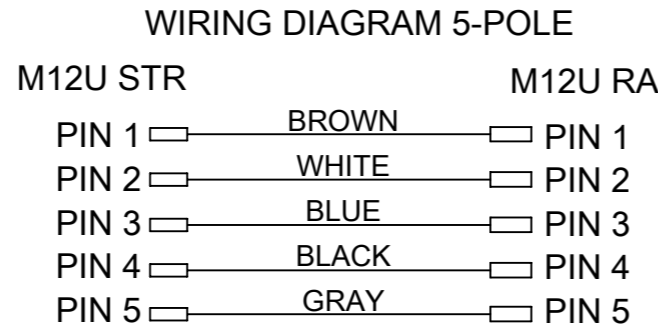
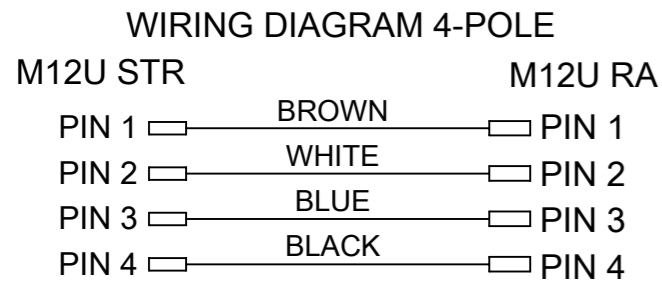
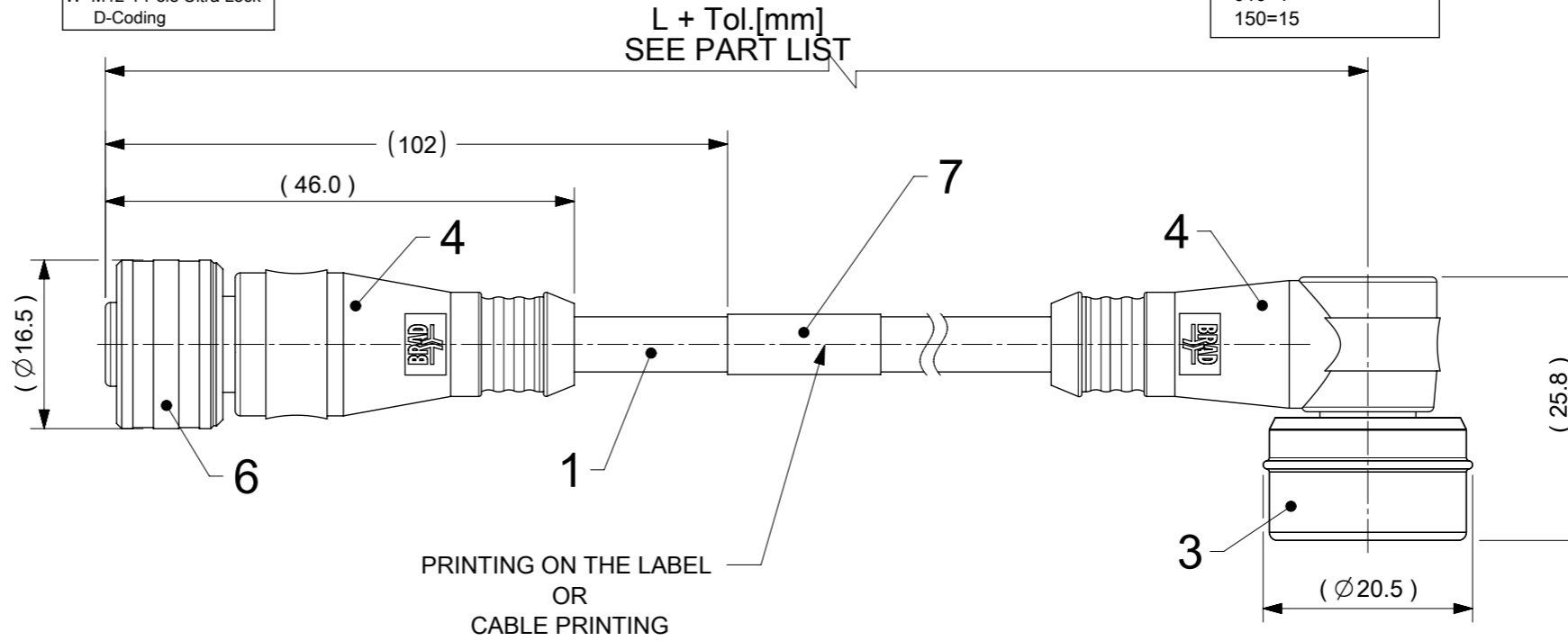
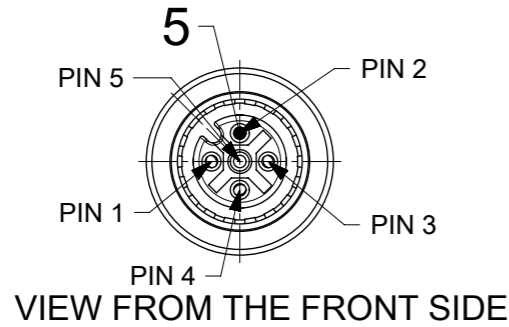
NOTES :
 ELECTRICAL DATA :
 VOLTAGE RATING : 250V
 AMPERAGE RATING : 4A
 INSULATION RESISTANCE : 10⁸Ω MIN.
 MATING CYCLES : MIN. 100

ENVIRONMENTAL :
 PROTECTION CLASS : IP67/IP68/IP69K
 IN MATED CONDITION AND LOCKED CONDITION
 OPERATING TEMPERATURE : -25°C TO +80°C

PART NO MATRIX

W	W	X	0	3	2	X	X	X	M	X	X	X
---	---	---	---	---	---	---	---	---	---	---	---	---

HEADS: W=M12 4-Pole Ultra Lock D-Coding W=M12 4-Pole Ultra Lock D-Coding	WIRING TYPE: 4= 4 Pole 5= 5 Pole	HEADS STYLE: 032 = FEMALE STR / MALE RA	CABLE TYPE: SEE CABLE LIST	UNITS: M=METER T=10x METER	LENGTH EXAMPLES: 005=0.5 010=1 150=15
--	--	--	-------------------------------	----------------------------------	--



BOM

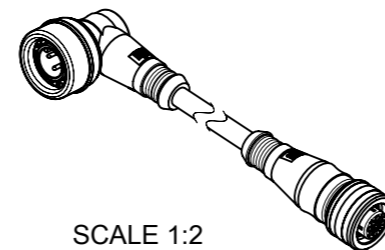
ITEM	QTY.	DESCRIPTION	MATERIAL	FINISH/COLOR
7	1/0	LABEL	VINYL	YELLOW
6	1	ULTRALOCK FEMALE ASSEMBLY PLUG	-	-
5	4	CONTACT FEMALE	BRONZE	SELECTIVE GOLD OVER NICKEL
4	-	MOULDING MATERIAL	TPU	BLACK
3	1	ULTRA-LOCK MALE ASSEMBLY PLUG	-	-
2	4	CONTACT MALE	BRASS	SELECTIVE GOLD OVER NICKEL
1	-	SEE CABLE LIST	SEE CABLE LIST	

PART LIST

SL. NO	MOLEX PN	ENGINEERING NO.	L +Tol. (mm)
1	1200805068	WW4032E03M010	1000+56
2	1200808012	WW4032P03M020	2000+89
3	1200808036	WW4032H09M010	1000+56
4	1200808038	WW5032H09M010	1000+56

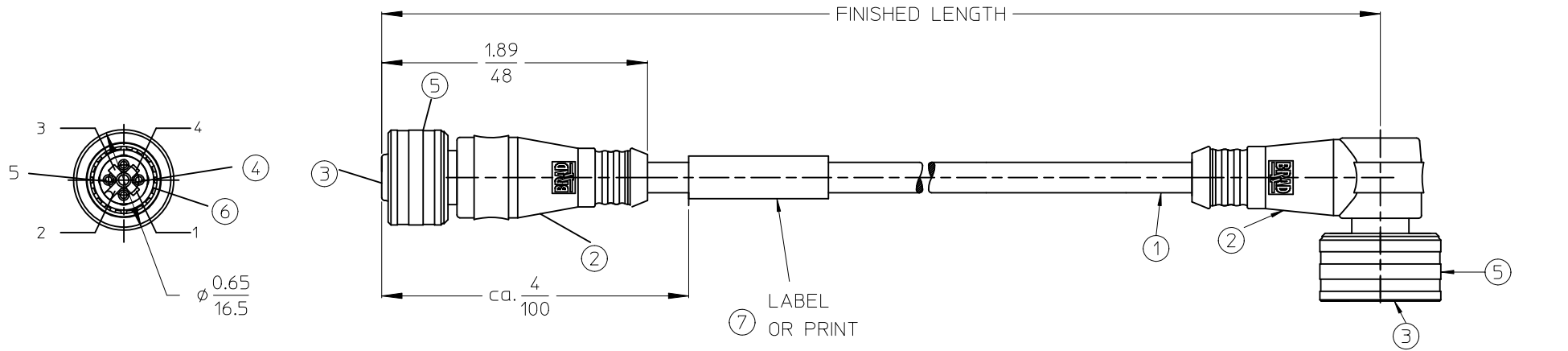
CABLE LIST

CABLE TYPE	NO. OF WIRES	DESCRIPTION	CABLE JACKET	FINISH/COLOR
E03	4	4X0.34MM;UNSH;RAL9005;OD=5.40MM	PVC	BLACK
P03	4	4X0.34MM;UNSH;PUR;BK-RAL9005;OD=5.30MM	PUR	BLACK
H09	4	CABLE PUR;BLK 4X0.34MM-LSOH;UL	PUR	BLACK
H09	5	CABLE PUR BLK 5X0.34mm LSZH UL	PUR	BLACK



FUNCTIONAL SYMBOLS	THIS DRAWING CONTAINS INFORMATION THAT IS PROPRIETARY TO MOLEX ELECTRONIC TECHNOLOGIES, LLC AND SHOULD NOT BE USED WITHOUT WRITTEN PERMISSION	CURRENT REV DESC:			
$\nabla/A = 0$ $\nabla/E = 0$ $\nabla/P = 0$	DIMENSION UNITS: mm SCALE: 3:2 GENERAL TOLERANCES (UNLESS SPECIFIED): ANGULAR TOL ± 1.0° 4 PLACES ± 3 PLACES ± 2 PLACES ± 0.05 1 PLACE ± 0.3 0 PLACES ± 0.5	EC NO: 703538 DRWN: MDHARMANTI 2022/03/09 CHK'D: RSILLER 2022/04/22 APPR: RSILLER 2022/04/22			
DIVISIONAL SYMBOLS	DRAFT WHERE APPLICABLE MUST REMAIN WITHIN DIMENSIONS	THIRD ANGLE PROJECTION	DRAWING: A3-SIZE	SERIES: 120080	DOCUMENT NUMBER: 1200805068
			MATERIAL NUMBER: SEE PART LIST	CUSTOMER: GENERAL MARKET	DOC TYPE: PSD
			SHEET NUMBER: 1 OF 1		DOC PART: 000

DOCUMENT STATUS	P1	RELEASE DATE	2022/04/22	06:35:45
-----------------	----	--------------	------------	----------



POL	MATERIAL NUMBER	ENGINEERING NUMBER	FINISHED LENGTH
3	1200805062	WW3032E03M010	3.28' +2.19" -0 [1.0M +55.6 -0]
4	1200805068	WW4032E03M010	3.28' +2.19" -0 [1.0M +55.6 -0]
5	1200805079	WW5032E03M010	3.28' +2.19" -0 [1.0M +55.6 -0]

CONNECTOR SPECIFICATION	
VOLTAGE RATING:	300V
AMPERAGE RATING:	4A
PROTECTION CLASS:	IP 68
OPERATING TEMPERATURE:	-30°C / +80°C
UL CERTIFICATION:	FILE NO. E152210
CSA CERTIFICATIONS:	FILE NO. LR6837

ITEM	COMPONENT	MATERIAL	FINISH
7	LABEL	MYLAR	BLACK/YELLOW
6	O-RING	VITON	GREEN
5	ULTRA-LOCK	BRASS	NICKEL PLATED
4	CONTACT	COPPER ALLOY	Au OVER Ni
3	INSERT	PUR	BLACK
2	OVERMOLD	PVC	YELLOW
1	CABLE #22	PVC	YELLOW

ENTER DESCRIPTION EC NO: WEU2010-0367 DRW: APOHL_WEU 2010/02/16 CHKD: REISSNER 2010/02/16 APPR: FPACHER 2010/02/24 REV 1	QUALITY SYMBOLS =0 =0	GENERAL TOLERANCES (UNLESS SPECIFIED)		DIMENSION STYLE IN/MM		SCALE METRIC		DESIGN UNITS THIRD ANGLE PROJECTION		
		4 PLACES	± ---	± ---	DRAWN BY	DATE	TITLE M12U-XP-FE-STR XP-M-STR-XM			
		3 PLACES	± ---	± ---	CHECKED BY	DATE				
		2 PLACES	± ---	± 0.1	REISSNER	2010/02/16	MOLEX INCORPORATED			
1 PLACE	± 0.3	± ---	APPROVED BY	DATE						
ANGULAR ± ---°		DRAFT WHERE APPLICABLE MUST REMAIN WITHIN DIMENSIONS		SEE NOTES		MATERIAL NO. SD-120080-034		SHEET NO. 1 OF 1		
THIS DRAWING CONTAINS INFORMATION THAT IS PROPRIETARY TO MOLEX INCORPORATED AND SHOULD NOT BE USED WITHOUT WRITTEN PERMISSION										