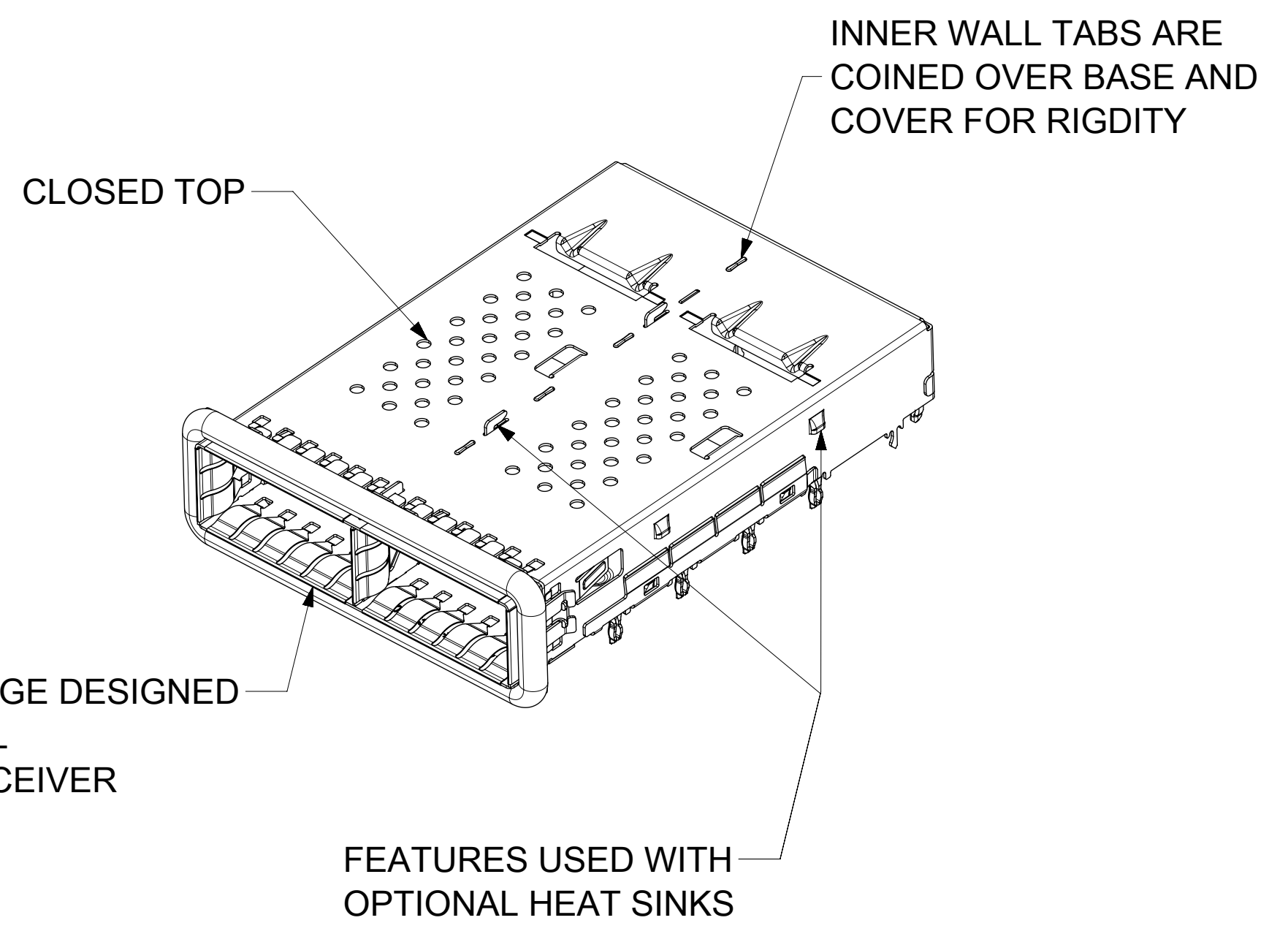
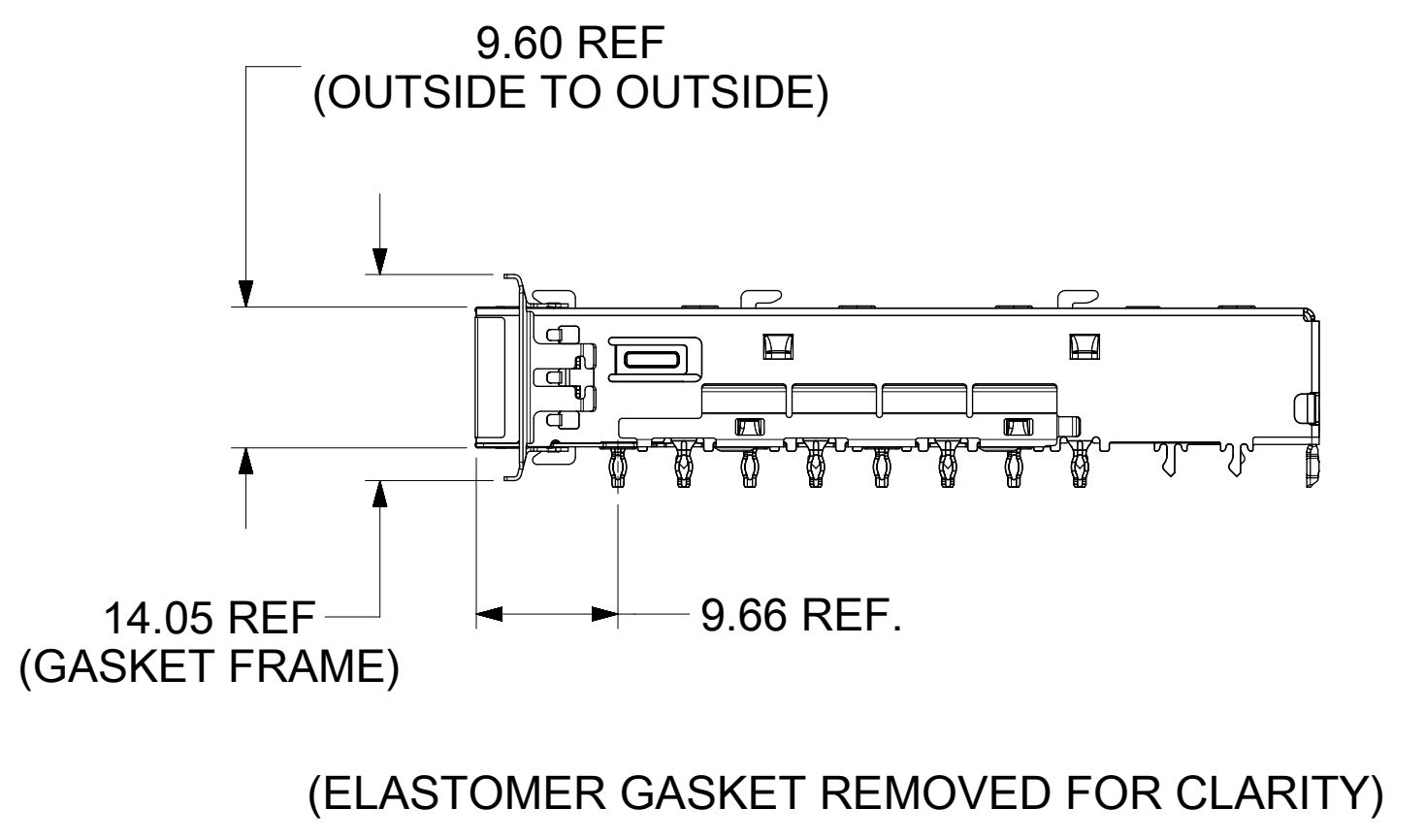
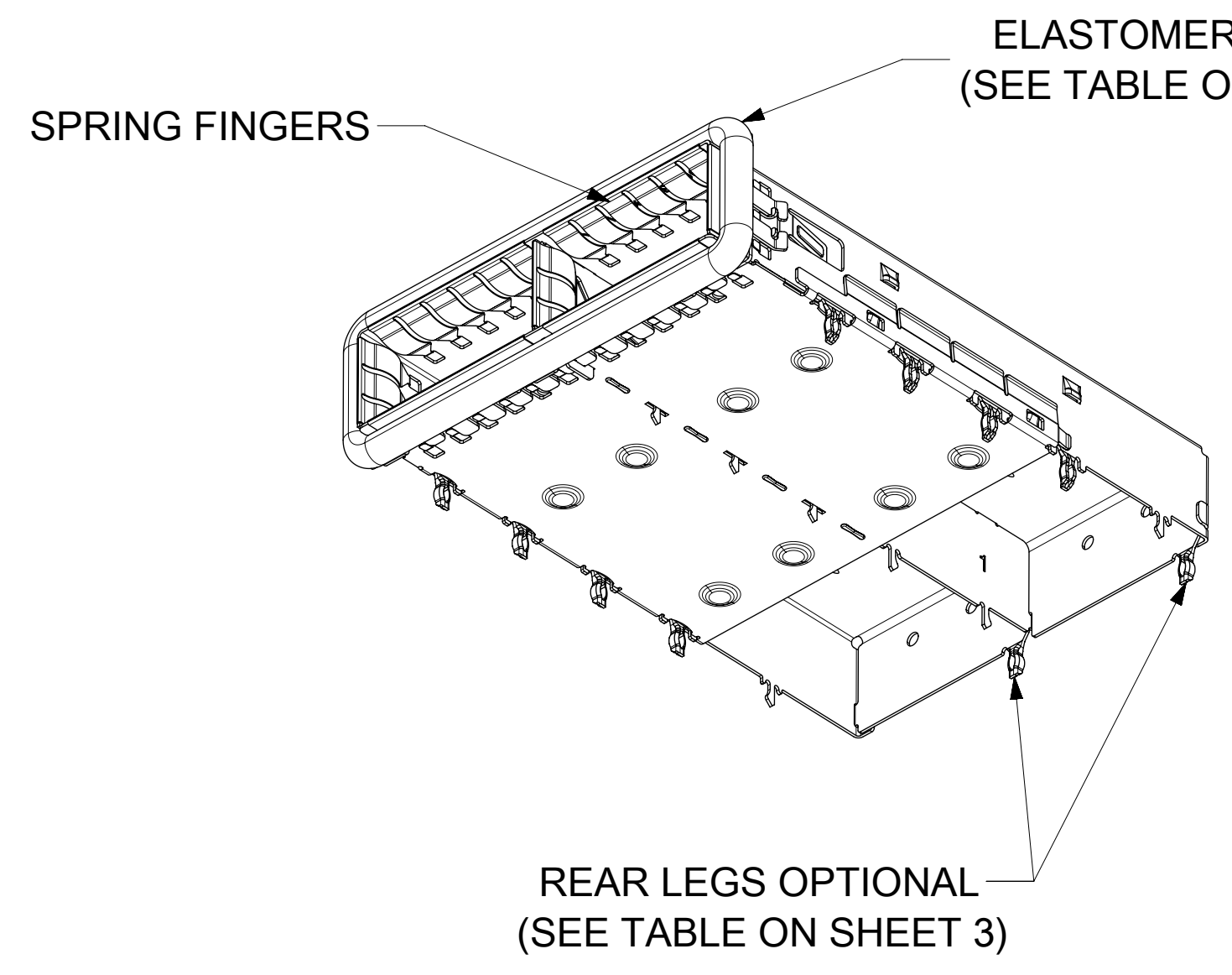
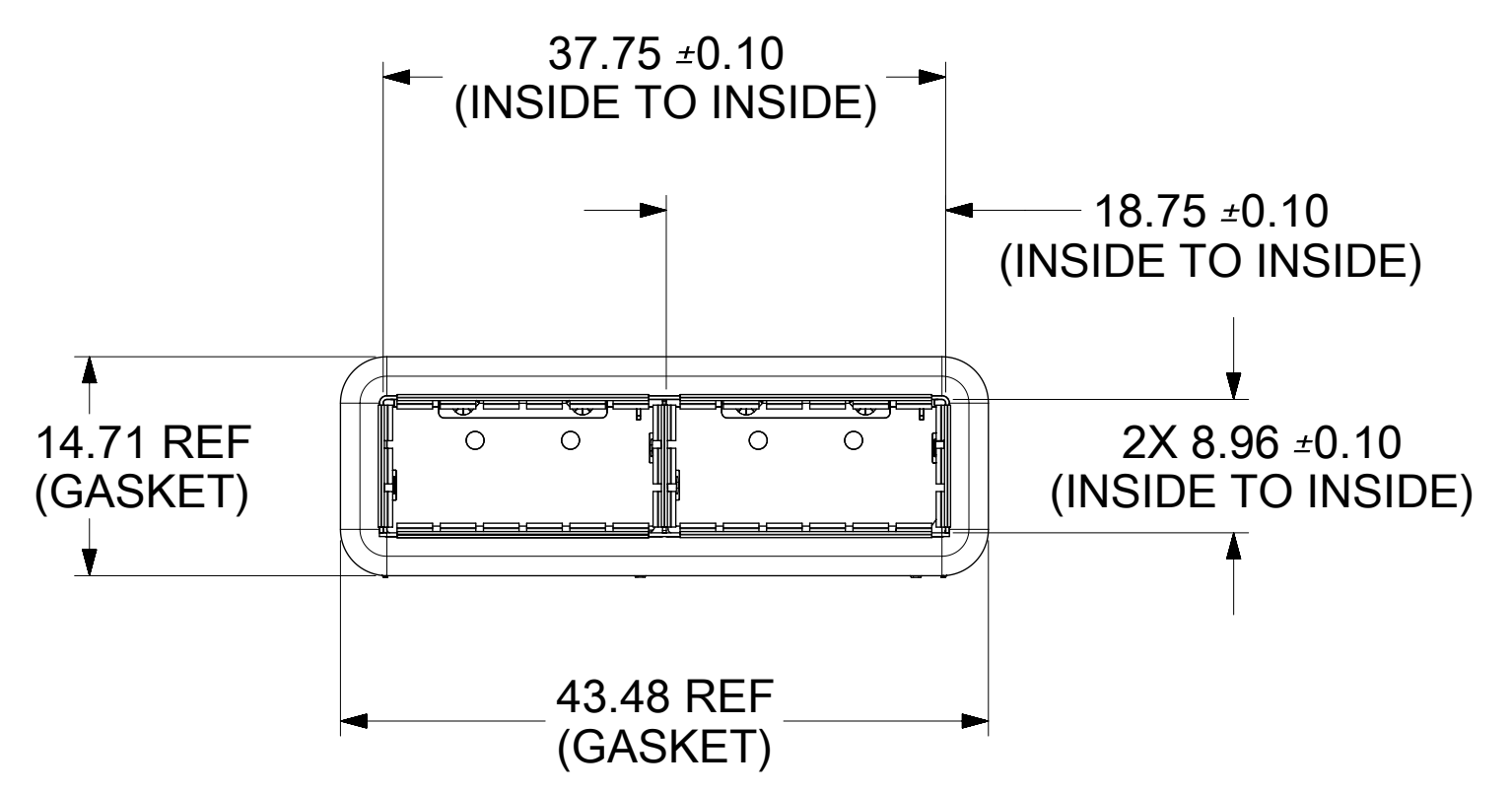
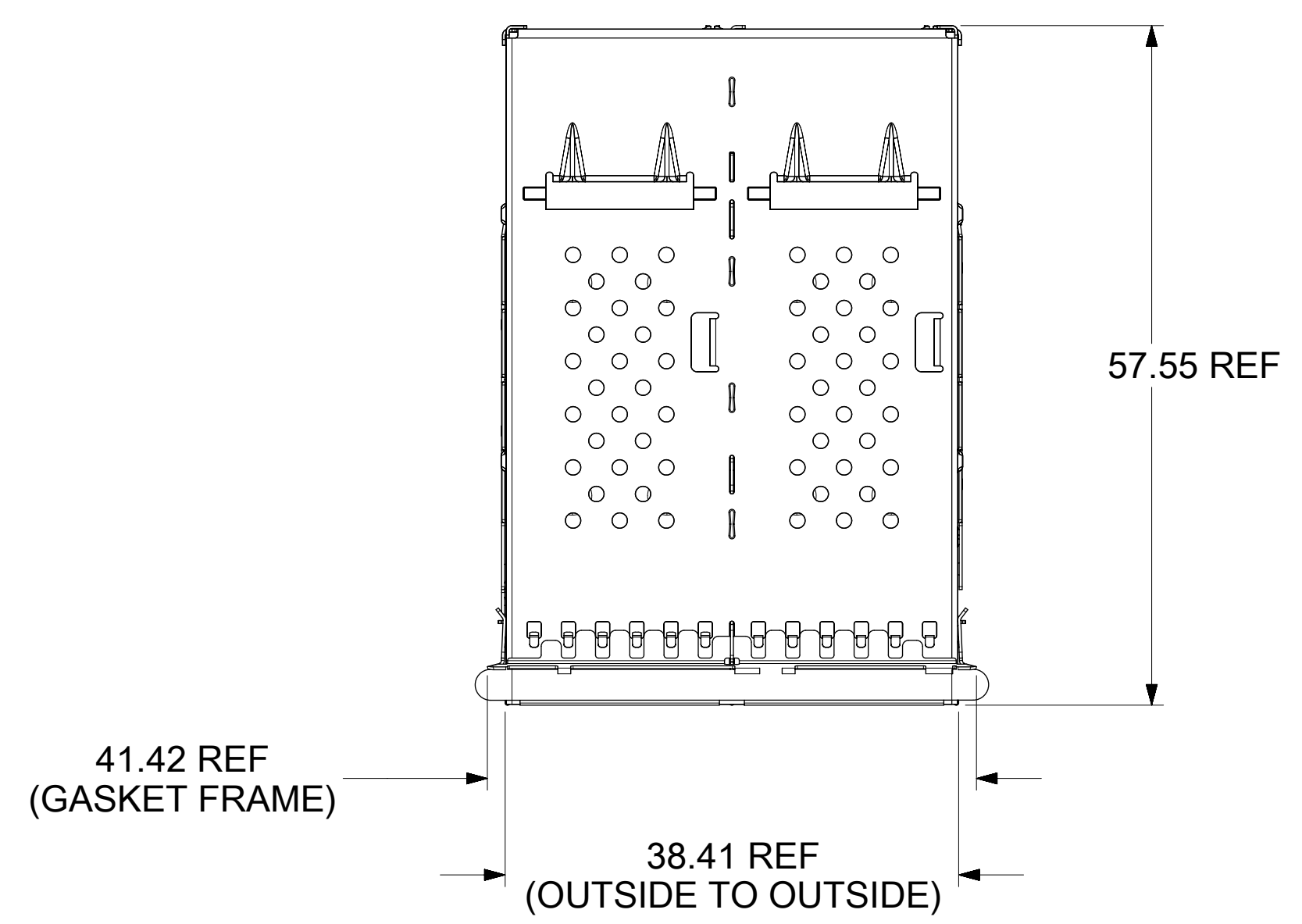
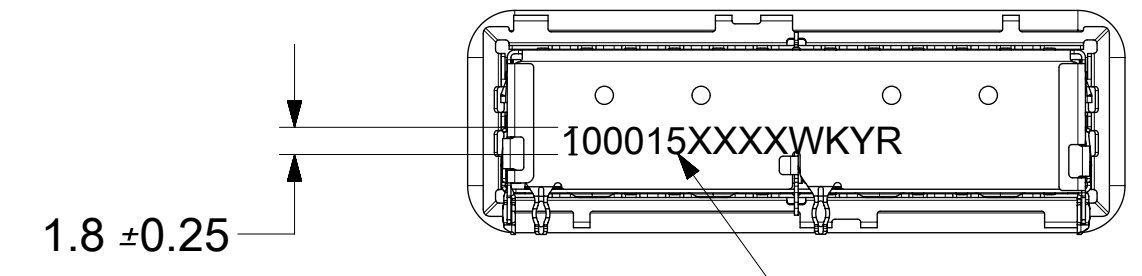


BASE CAGE DETAILS

1000152242
SHOWN



DIMENSIONS OF EACH INNER CAGE DESIGNED TO FUNCTION WITH QUAD SMALL FORM-FACTOR (zQSFP+) TRANSCEIVER



P/N AND WEEK/YEAR DATE CODE TO BE PRINTED ON BACK OF COMPLETED CAGE ASSEMBLY APPROXIMATELY AS SHOWN. SEE TABLE BELOW FOR DATE CODE INFORMATION.

- NOTES:**
- MATERIAL: CAGE: STAINLESS STEEL
CENTER WALLS: STAINLESS STEEL
SPRING FINGERS: BERYLLIUM COPPER; NICKEL PLATED
GASKET FLANGE: STAINLESS STEEL
HEAT SINKS: NICKEL PLATED ALUMINUM
HEAT SINK CLIP: STAINLESS STEEL
LIGHT PIPES: POLYCARBONATE (UL 94-V-0)
GASKET: ELASTOMER (UL 94-V-0)
 - DIMENSIONS MARKED ∇ ARE CRITICAL TO FUNCTION OF THE PART AND MUST BE INSPECTED
 - DRAWING APPLIES TO ALL P/N'S SHOWN ON PAGE 3
 - DURING INCOMING INSPECTION, CAGE LEG LOCATIONS AND STRAIGHTNESS MUST BE CHECKED USING APPROPRIATE GO - NO GO GAGE
 - DURING INCOMING INSPECTION, CAGE MUST BE INSPECTED TO MAKE SURE LEG CONFIGURATIONS AND PART NUMBERS ARE CORRECT, USE SHEETS 3, 4, 5 AND 6
 - PARTS TO BE INSPECTED PER MOLEX COSMETIC SPEC WI-HP-7-2774 (CLASS B UNLESS OTHERWISE SPECIFIED)
 - PRESS-FIT LEGS 2.44 [0.096] LONG -
1.57 MINIMUM PCB THICKNESS FOR SINGLE SIDED USE.
2.70 MINIMUM PCB THICKNESS FOR BELLY TO BELLY USE.
 - NO RoHS EXEMPTIONS

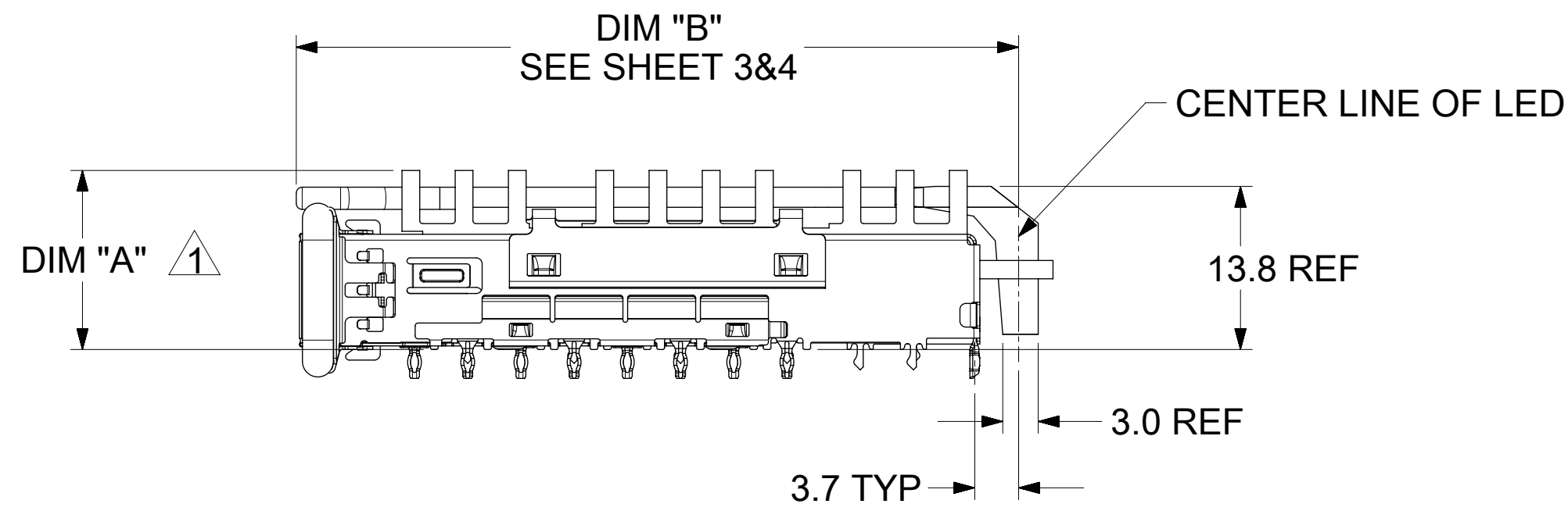
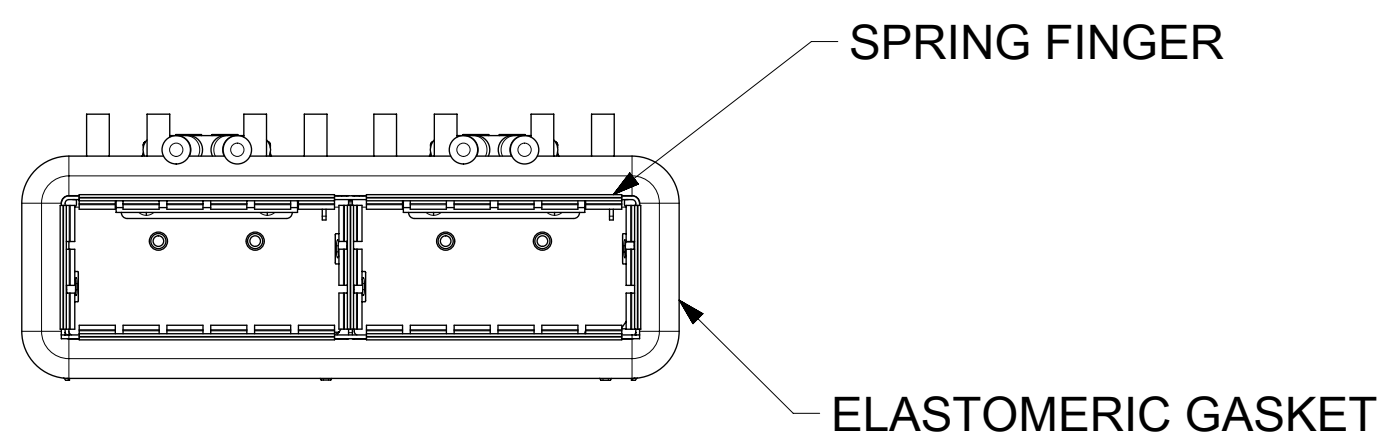
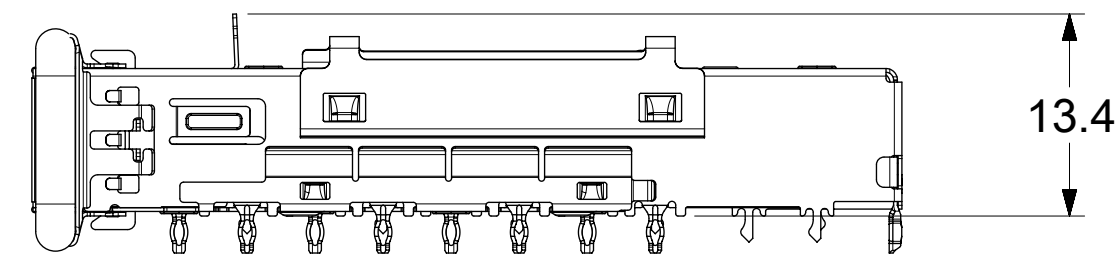
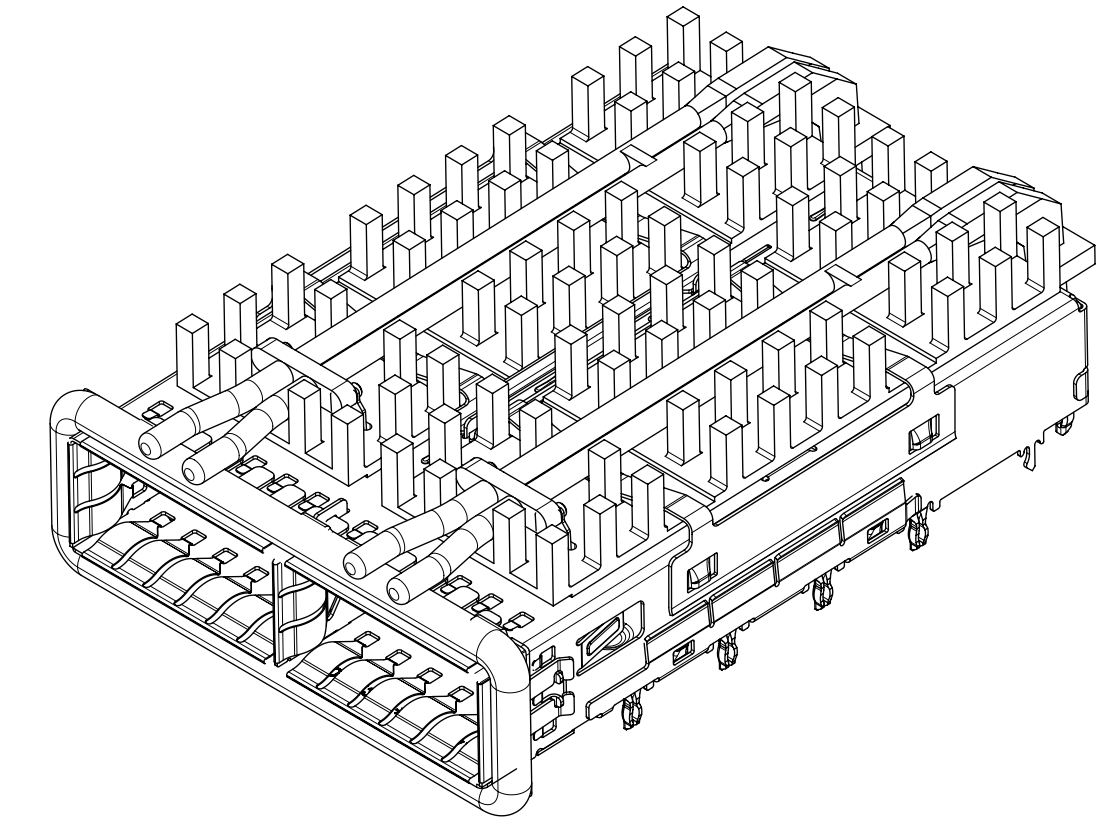
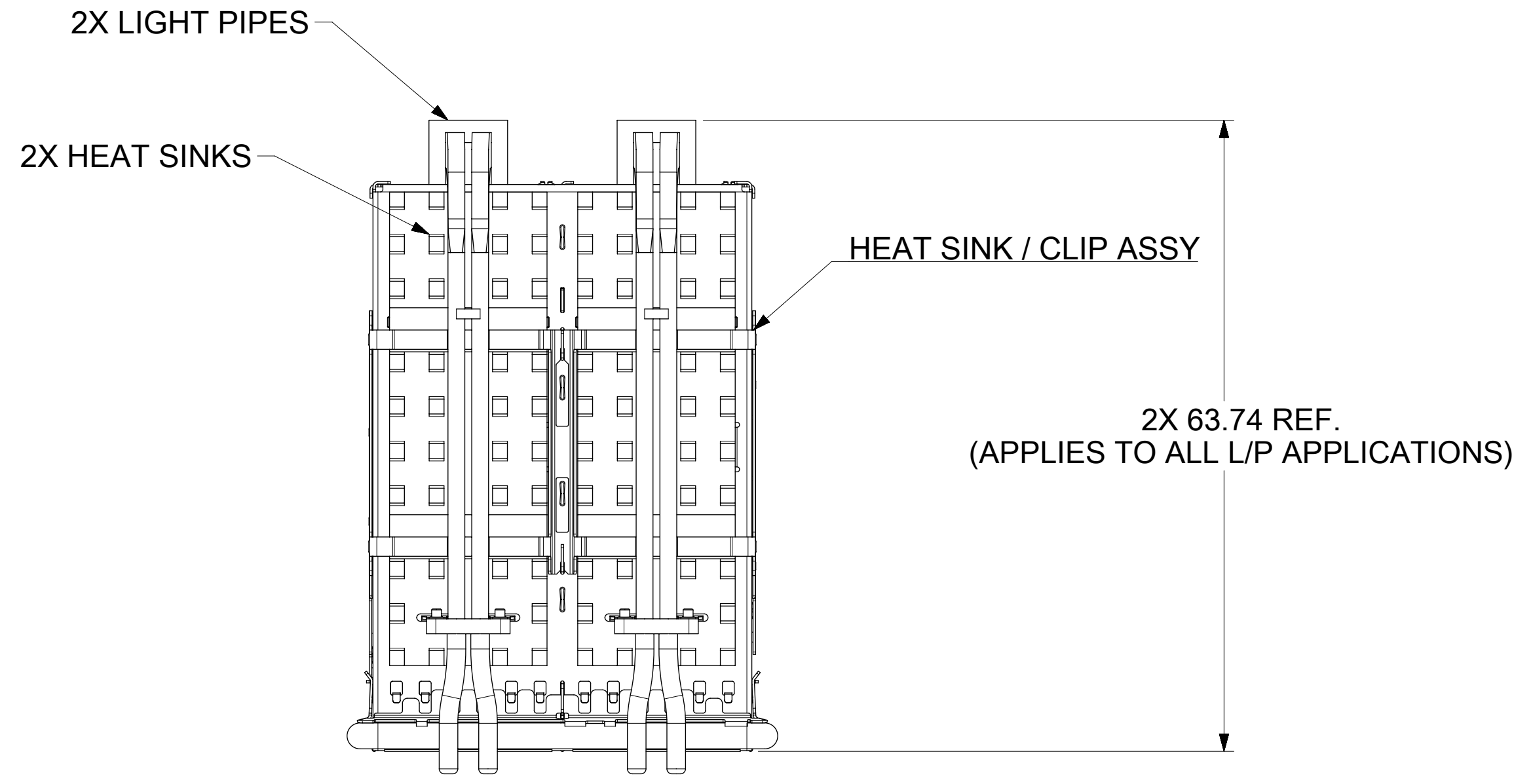
WEEK/YEAR DATE CODE TABLE	
WK	WEEK OF THE YEAR 01 THRU 52 OR 53 (EXAMPLE: 01= FIRST WEEK OF YEAR 52 OR 53= LAST WEEK OF YEAR)
YR	16, 17, 18 ETC.. (EXAMPLE: YEAR 2016= 16)

QUALITY SYMBOLS ∇ = 0 ∇ = 0 ∇ = 0 ∇ = 0 ∇ = 0 ∇ = 0 ∇ = 0 ∇ = 0 ∇ = 0 ∇ = 0 ∇ = 0	THIS DRAWING CONTAINS INFORMATION THAT IS PROPRIETARY TO MOLEX ELECTRONIC TECHNOLOGIES, LLC AND SHOULD NOT BE USED WITHOUT WRITTEN PERMISSION	DIMENSION UNITS: mm SCALE: 2:1	molex ZQSFP+ 1X2 GANGED CAGE
	GENERAL TOLERANCES (UNLESS SPECIFIED) ANGULAR TOL \pm 1.0 ° 4 PLACES \pm 3 PLACES \pm 2 PLACES \pm 0.13 1 PLACE \pm 0.25 0 PLACES \pm DRAFT WHERE APPLICABLE MUST REMAIN WITHIN DIMENSIONS	DRWN BY: LLU20 DATE: 2016/02/16 CHKD BY: RCHEN08 DATE: 2016/03/07 APPR BY: RCHEN08 DATE: 2016/03/08	
SEE REVISION TABLE EC NO: 103404 DRWN: LLU20 CHKD: RCHEN08 REV APPR: RCHEN08	DRAWING SIZE: D THIRD ANGLE PROJECTION	DOCUMENT NUMBER: 1000152200 DOC TYPE: PSD DOC PART: ASY SHEET NUMBER: 1 OF 8	

CAGE ASSEMBLY OPTIONS

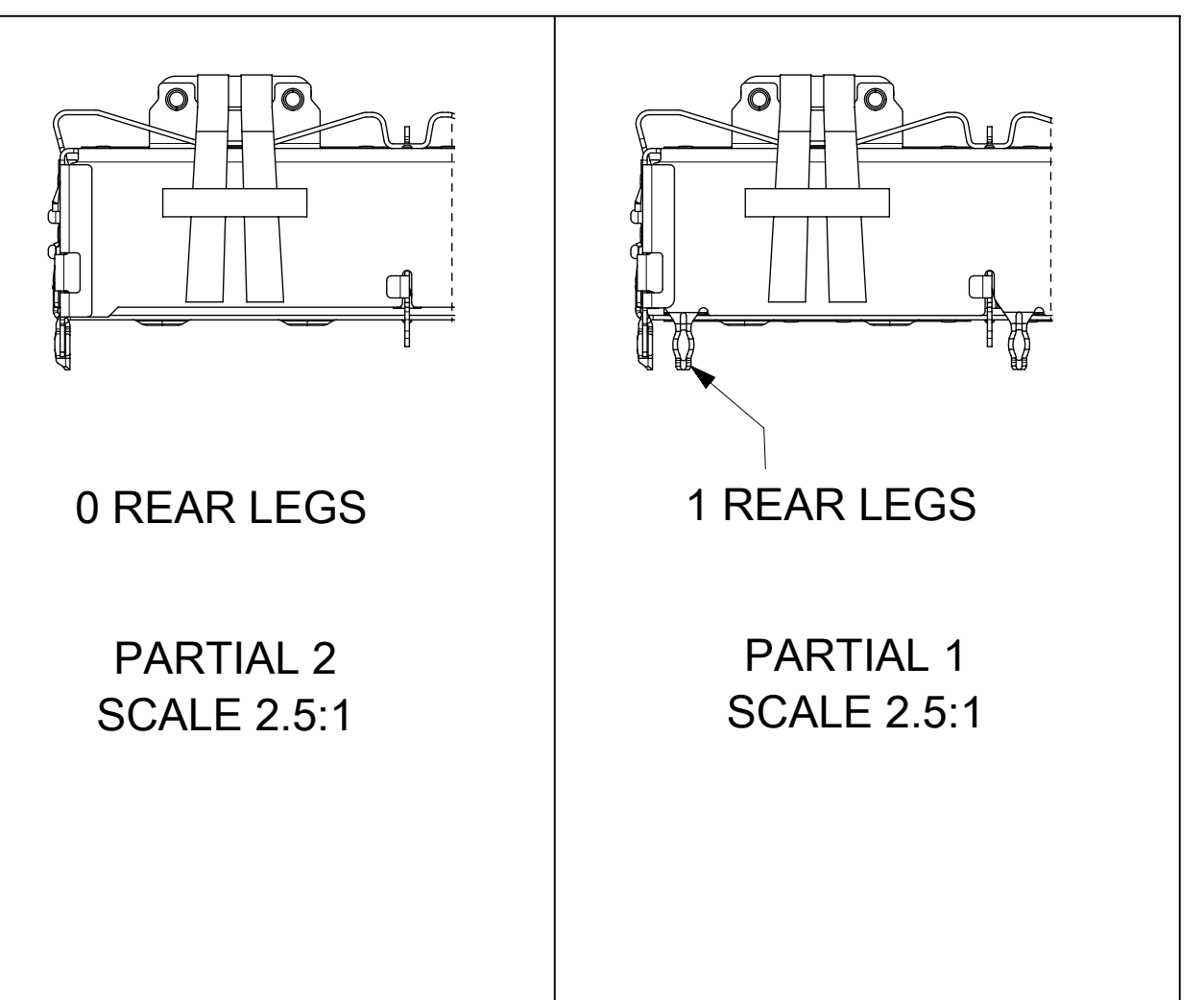
1000152544

SHOWN



REAR LEG OPTIONS

(GASKET AND FRAME REMOVED FOR CLARITY)

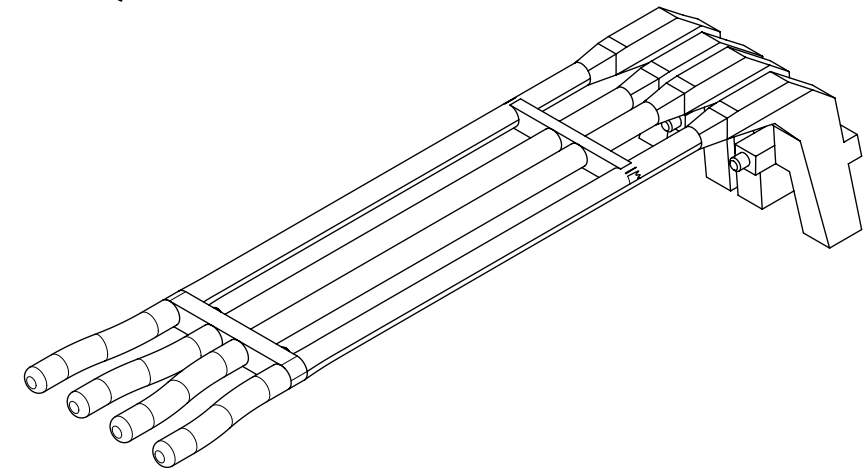
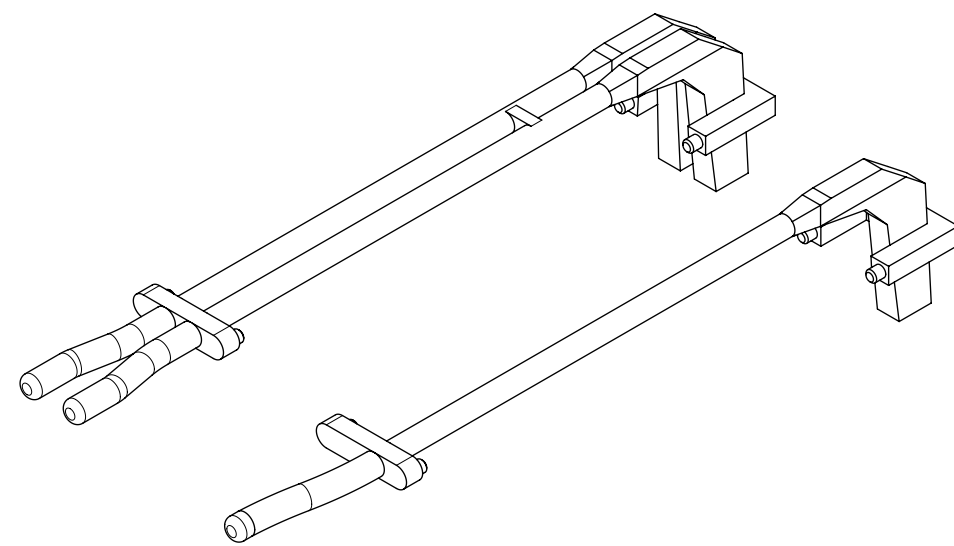


HEATSINK AND LIGHT PIPE COMBINATIONS

HEATSINK USED WITHOUT LIGHTPIPE

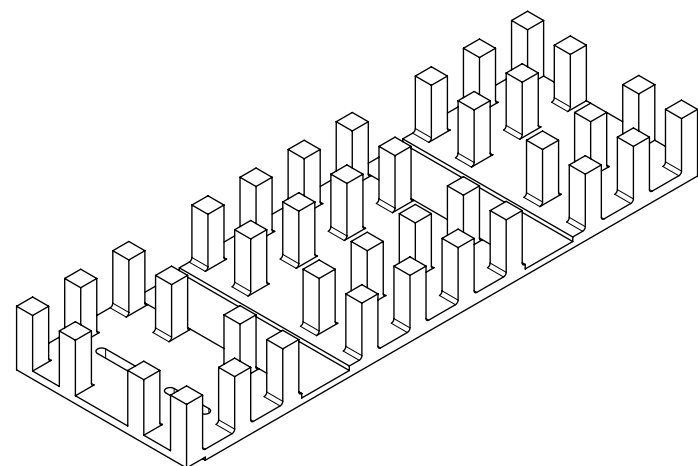
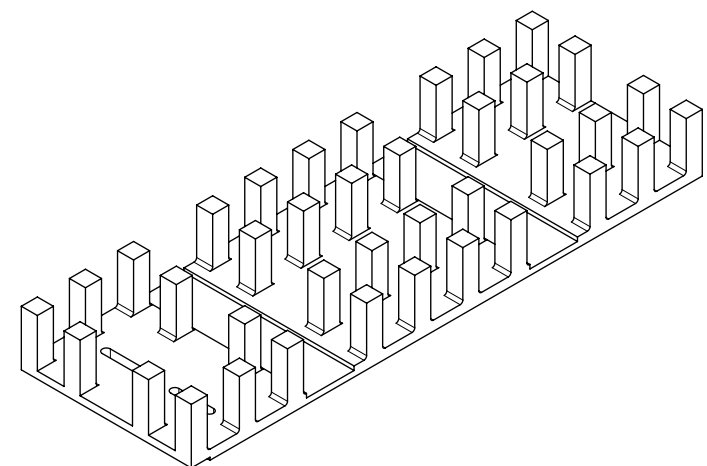
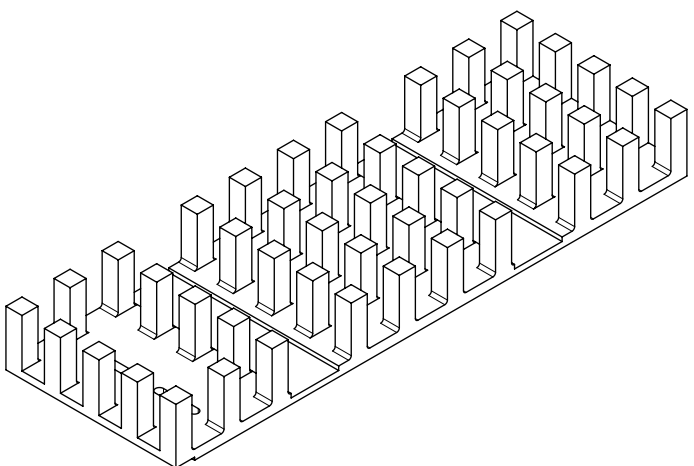
SINGLE / DUAL LIGHT PIPE

QUAD LIGHT PIPE



HEAT SINK

HEAT SINK



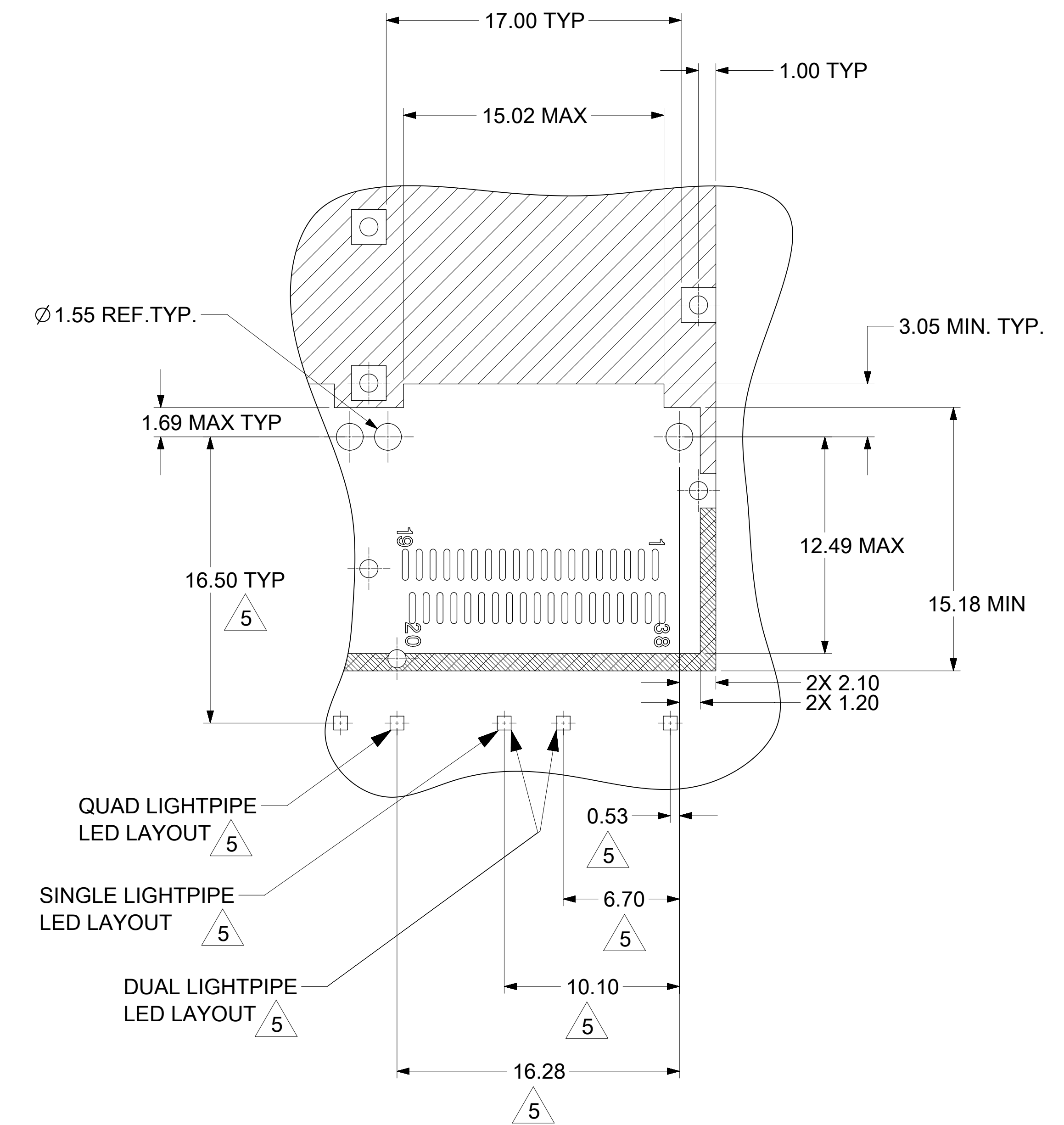
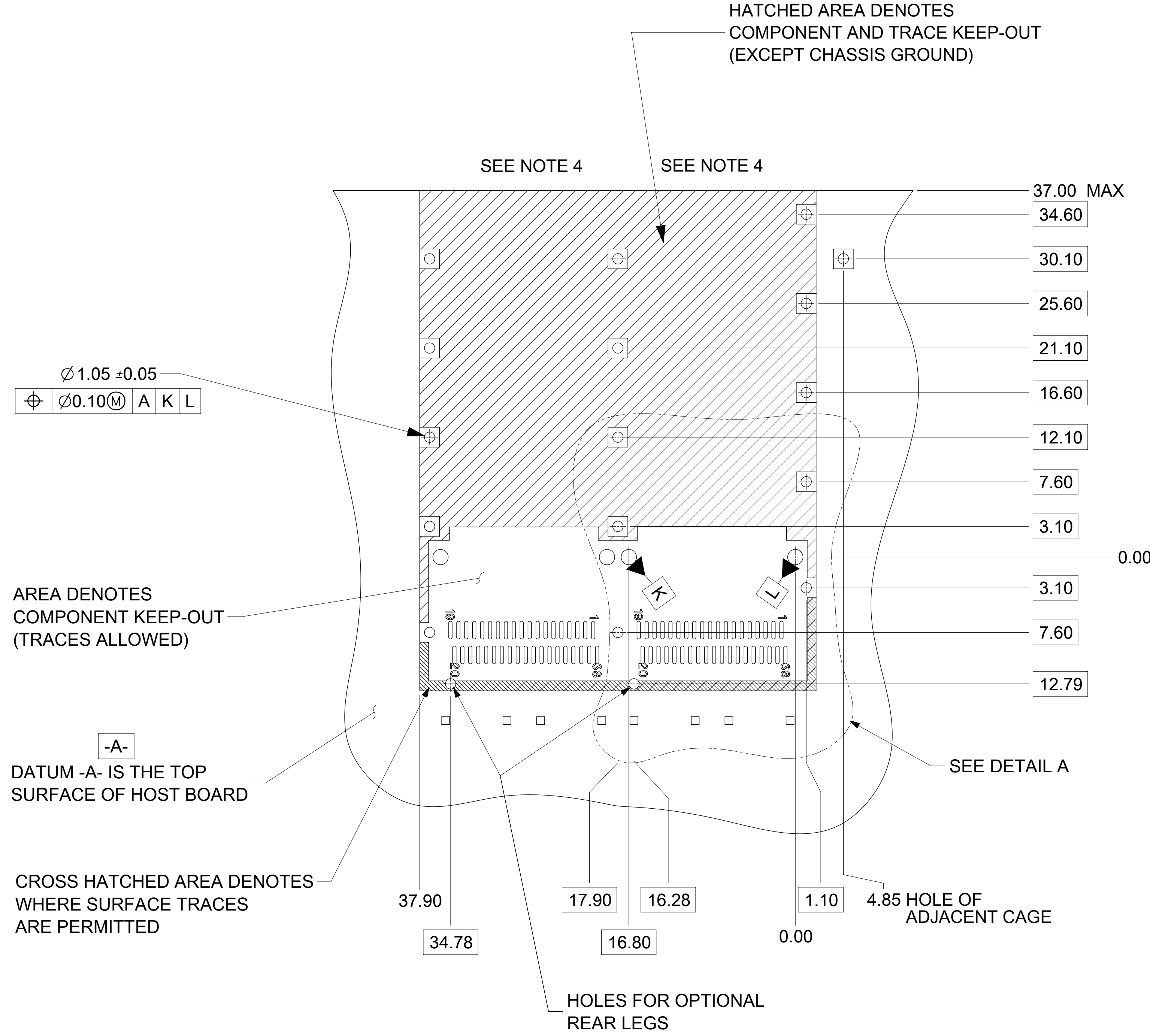
HEATSINK HEIGHT OPTIONS

OVERALL HEAT SINK HEIGHT	DIM "A"
PCI	13.7 REF
SAN	16.0 REF
NET	23.0 REF

¹ HEIGHT OF HEAT SINK WITH MODULE INSERTED. DIMENSION MAY BE LESS DUE TO MODULE AND HEAT SINK VARIATIONS

QUALITY SYMBOLS	THIS DRAWING CONTAINS INFORMATION THAT IS PROPRIETARY TO MOLEX ELECTRONIC TECHNOLOGIES, LLC AND SHOULD NOT BE USED WITHOUT WRITTEN PERMISSION	
F = 0 E = 0 E = 0 = 0 C = 0 X = 0 = 0 = 0	EC NO: 103404 DRWN: LLU20 CHKD: RCHEN08 REV APPR: RCHEN08	GENERAL TOLERANCES (UNLESS SPECIFIED) DIMENSION UNITS: mm SCALE: 2:1 ANGULAR TOL ± 1.0 ° 4 PLACES ± 3 PLACES ± 2 PLACES ± 0.13 1 PLACE ± 0.25 0 PLACES ± DRAFT WHERE APPLICABLE MUST REMAIN WITHIN DIMENSIONS
SEE REVISION TABLE EC NO: 103404 DRWN: LLU20 CHKD: RCHEN08 REV APPR: RCHEN08	DIMENSION UNITS: mm SCALE: 2:1 DRWN BY: LLU20 DATE: 2016/02/16 CHKD BY: LLU20 DATE: 2016/03/07 APPR BY: RCHEN08 DATE: 2016/03/08	PRODUCT CUSTOMER DRAWING SERIES: 100015 MATERIAL NUMBER: 1000152200 CUSTOMER: GENERAL MARKET
C1	DRAWING SIZE: D THIRD ANGLE PROJECTION	DOCUMENT NUMBER: 1000152200 DOC TYPE: PSD DOC PART: ASY SHEET NUMBER: 2 OF 8

PCB LAYOUT FOR SINGLE SIDED MOUNTING

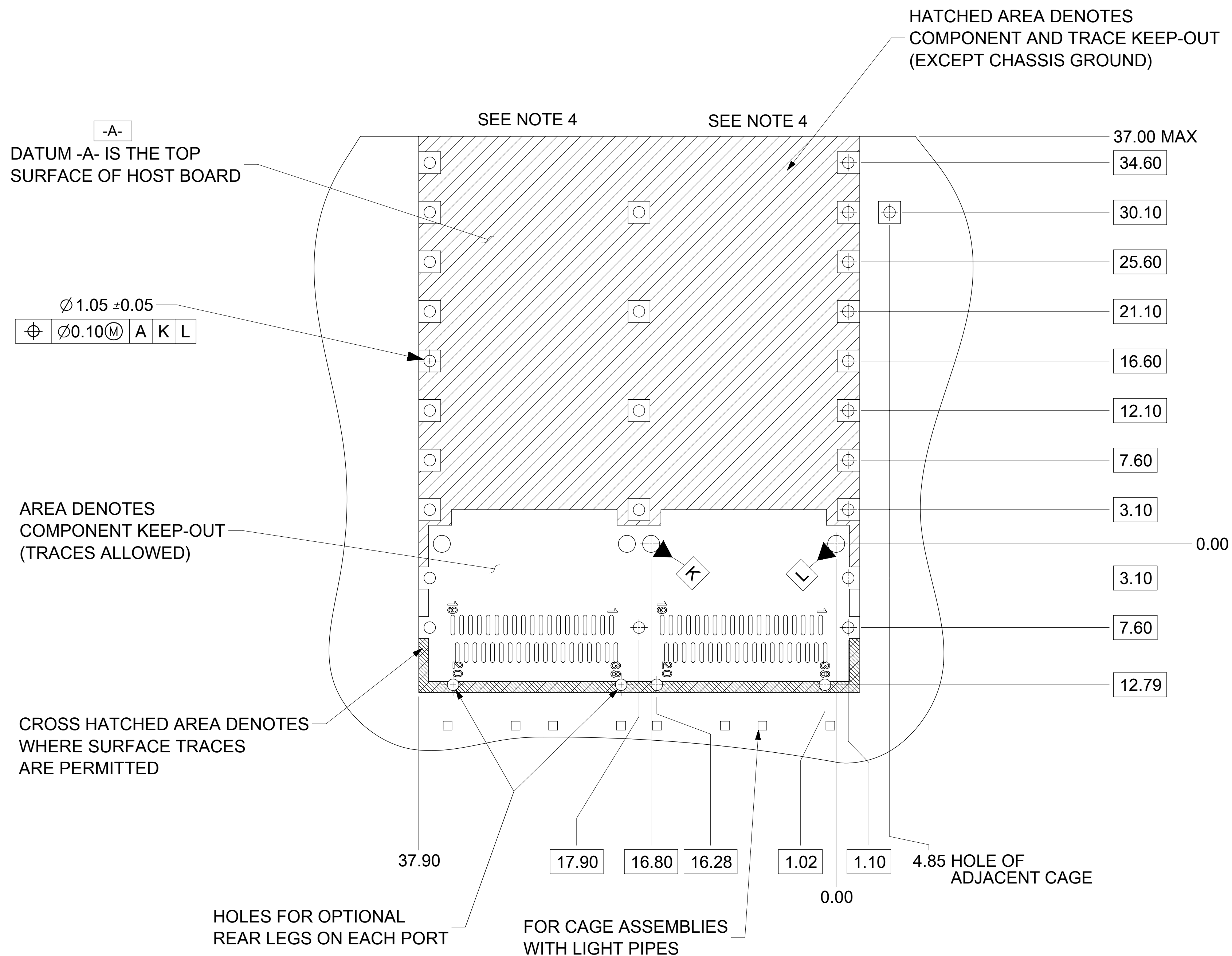


DETAIL A
SCALE 5:1

- NOTES:
1. PADS AND VIAS GO TO CHASSIS GROUND. (RECOMMENDED PADS TO BE 2.00mm SQUARE.)
 2. RECOMMENDED THRU HOLE PLATING INCLUDES HASL, OSP, OR IMMERSION (GOLD, SILVER, OR TIN).
 3. CONNECTOR PAD LAYOUT PER SFF-8663 WILL ACCOMODATE MOLEX CONNECTOR SERIES 170432.
 4. SPACING BETWEEN PORTS IS 19.00mm.
 5. NOTED DIMENSIONS ONLY APPLY TO CAGE ASSEMBLIES WITH LIGHT PIPES.

QUALITY SYMBOLS	THIS DRAWING CONTAINS INFORMATION THAT IS PROPRIETARY TO MOLEX ELECTRONIC TECHNOLOGIES, LLC AND SHOULD NOT BE USED WITHOUT WRITTEN PERMISSION										
	△ = 0	▽ = 0	▽ = 0	▽ = 0	▽ = 0	▽ = 0	▽ = 0	▽ = 0	▽ = 0	▽ = 0	
SEE REVISION TABLE	2016/03/09	2016/03/17	2016/03/17	GENERAL TOLERANCES (UNLESS SPECIFIED)			DIMENSION UNITS	SCALE			
EC NO: 103404	DRWN: LLU20	CHKD: RCHEN08	REV APPR: RCHEN08	ANGULAR TOL ± 1.0 °			mm	3.5:1			
				4 PLACES ±			DRWN BY	DATE	PRODUCT CUSTOMER DRAWING		
				3 PLACES ±			LLU20	2016/02/16	SERIES	MATERIAL NUMBER	CUSTOMER
				2 PLACES ± 0.13			CHKD BY	DATE	100015	1000152200	GENERAL MARKET
				1 PLACE ± 0.25			APPR BY	DATE	DOCUMENT NUMBER		
				0 PLACES ±			RCHEN08	2016/03/08	1000152200	PSD	DOC PART
				DRAFT WHERE APPLICABLE MUST REMAIN WITHIN DIMENSIONS			DRAWING SIZE	THIRD ANGLE PROJECTION	ASV	SHEET NUMBER	
							D				5 OF 8

PCB LAYOUT FOR BELLY TO BELLY MOUNTING



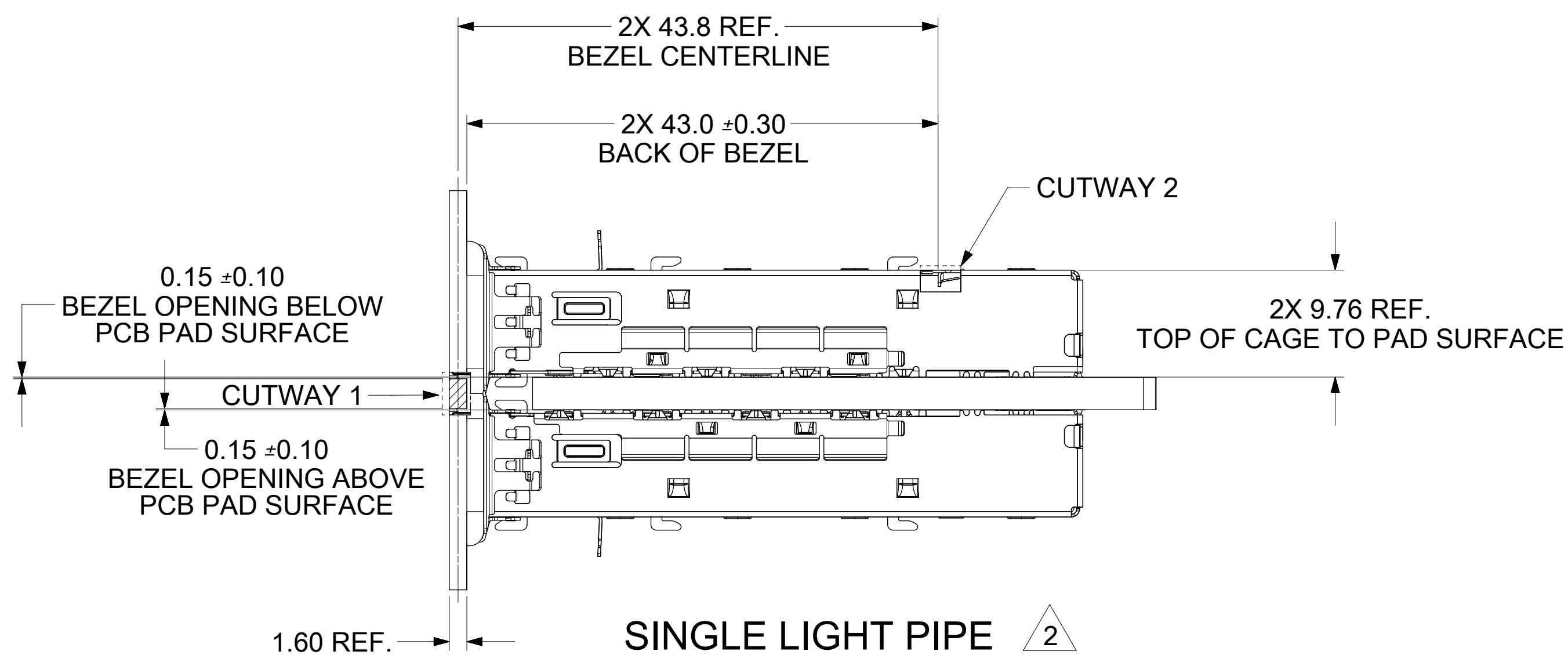
NOTE:
SEE SHEET 5 FOR
HOST CONNECTOR DETAIL
AND LED LOCATION DETAILS

NOTES:

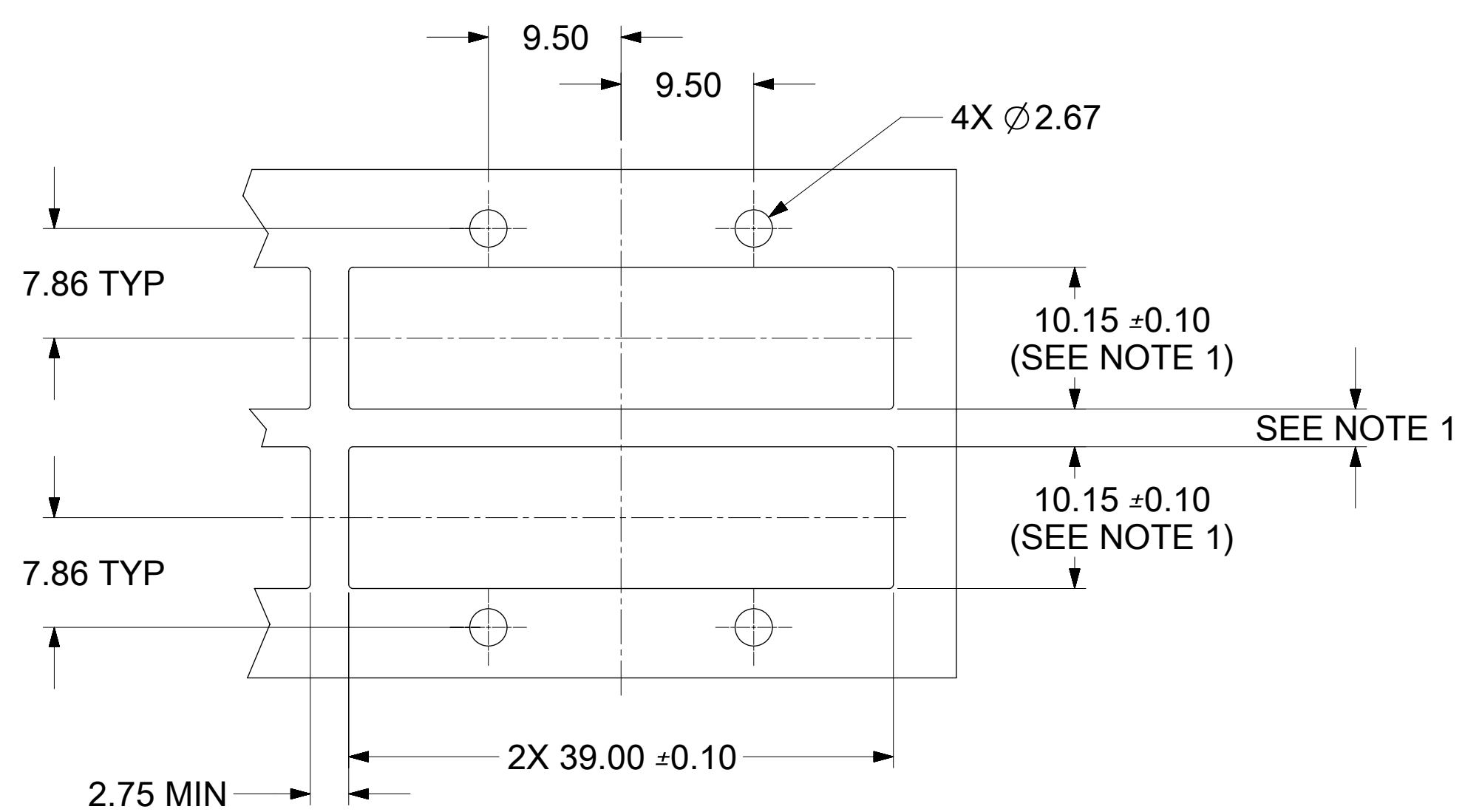
1. PADS AND VIAS GO TO CHASSIS GROUND. (RECOMMENDED PADS TO BE 2.00mm SQUARE.)
2. RECOMMENDED THRU HOLE PLATING INCLUDES HASL, OSP, OR IMMERSION (GOLD, SILVER, OR TIN).
3. CONNECTOR PAD LAYOUT PER SFF-8663 WILL ACCOMMODATE MOLEX CONNECTOR SERIES 170432.
4. SPACING BETWEEN PORTS IS 19.00mm.

QUALITY SYMBOLS	THIS DRAWING CONTAINS INFORMATION THAT IS PROPRIETARY TO MOLEX ELECTRONIC TECHNOLOGIES, LLC AND SHOULD NOT BE USED WITHOUT WRITTEN PERMISSION		DIMENSION UNITS		SCALE
∇ = 0	2016/03/09	2016/03/17	mm	4:1	
∇ = 0	2016/03/17	2016/03/17	DRWN BY	DATE	
∇ = 0	SEE REVISION TABLE EC NO: 103404 DRWN: LLU20 CHKD: RCHEN08 REV APPR: RCHEN08	GENERAL TOLERANCES (UNLESS SPECIFIED)	LLU20	2016/02/16	ZQSFP+ 1X2 GANGED CAGE
∇ = 0		ANGULAR TOL \pm 1.0 °	CHKD BY	DATE	
∇ = 0		4 PLACES \pm	LLU20	2016/03/07	
∇ = 0		3 PLACES \pm	APPR BY	DATE	
∇ = 0	2 PLACES \pm 0.13	RCHEN08	2016/03/08	PRODUCT CUSTOMER DRAWING	
∇ = 0	1 PLACE \pm 0.25	SERIES	MATERIAL NUMBER	CUSTOMER	
∇ = 0	0 PLACES \pm	100015	1000152200	GENERAL MARKET	
∇ = 0	DRAFT WHERE APPLICABLE MUST REMAIN WITHIN DIMENSIONS	DOCUMENT NUMBER	DOC TYPE	DOC PART	SHEET NUMBER
∇ = 0		C1	PSD	ASY	6 OF 8

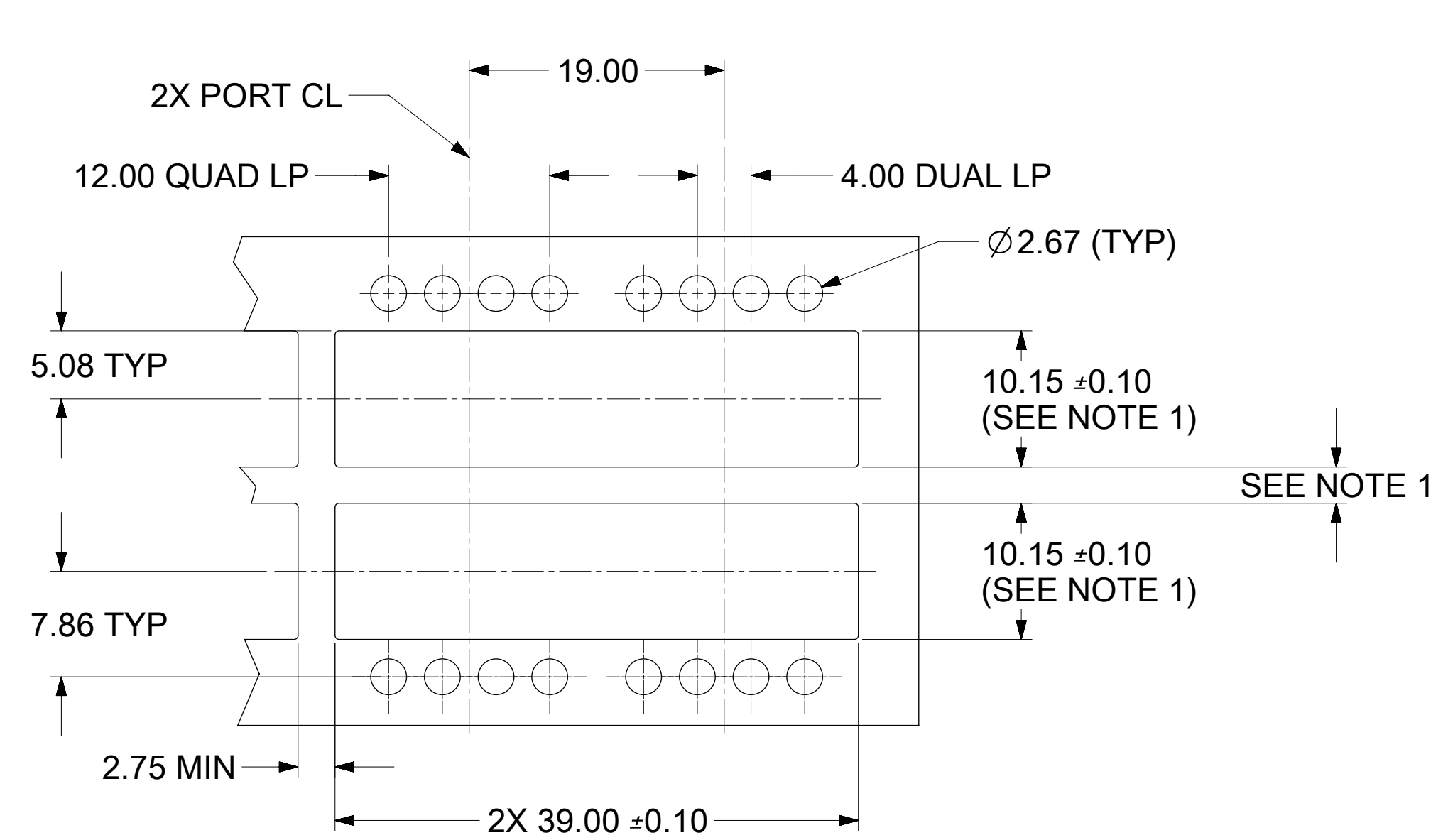
BEZEL AND BOARD POSITION DIMENSIONS FOR BELLY TO BELLY MOUNTING



SINGLE LIGHT PIPE 2

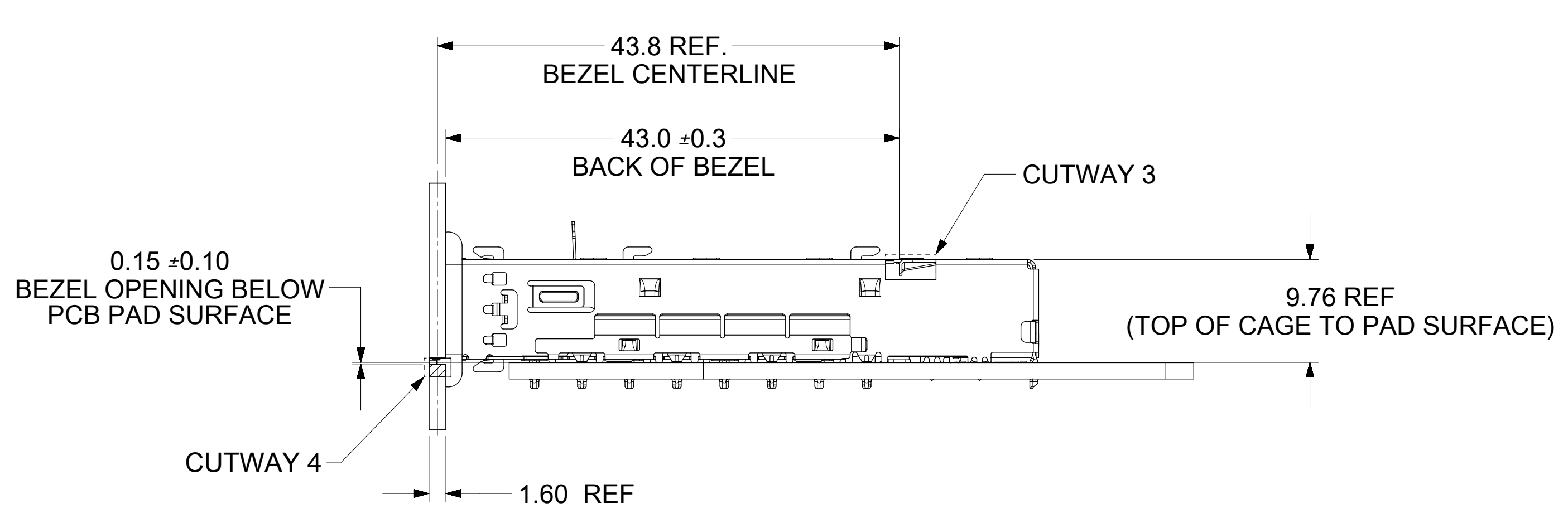


DUAL/QUAD LIGHT PIPE 2

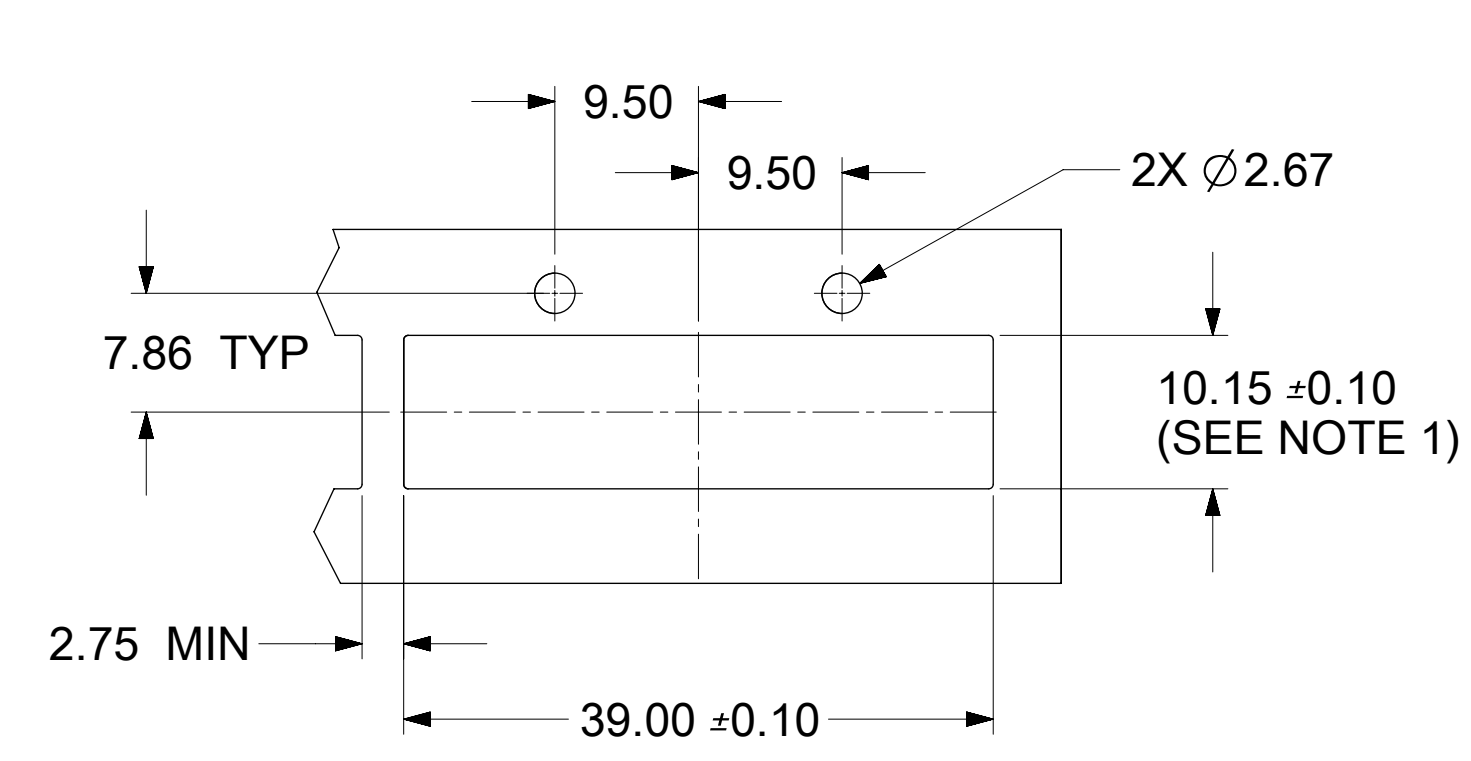


NOTE:
 1. PCB THICKNESS VARIATION MUST BE CONSIDERED WHEN DETERMINING BEZEL OPENING, SIZE, AND LOCATION.
2 NOTED DIMENSIONS ONLY APPLY TO CAGE ASSEMBLIES WITH LIGHT PIPES.

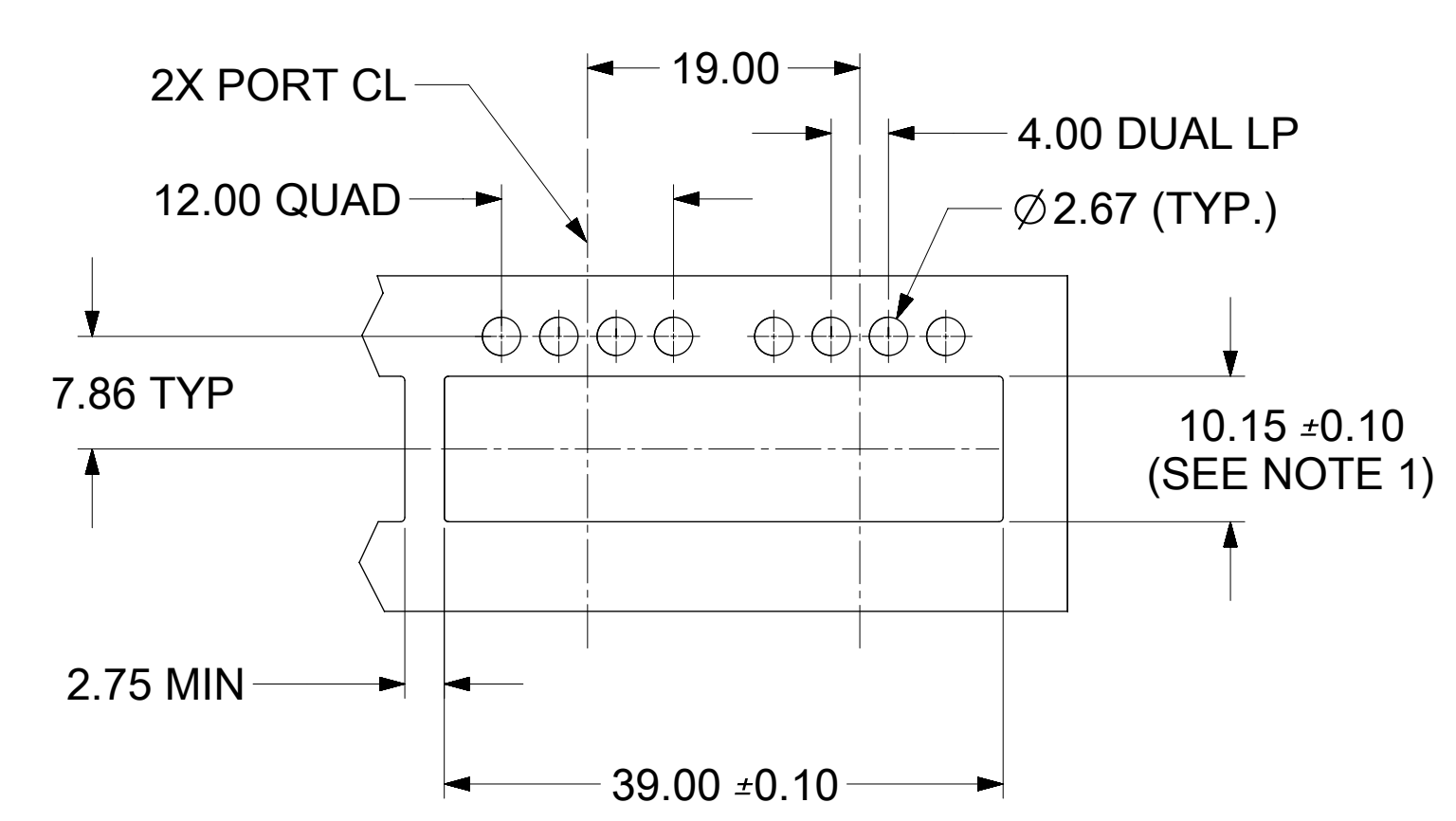
BEZEL AND BOARD POSITION DIMENSIONS FOR SINGLE SIDE MOUNTING



SINGLE LIGHT PIPE 2



DUAL/QUAD LIGHT PIPE 2



THIS DRAWING CONTAINS INFORMATION THAT IS PROPRIETARY TO MOLEX ELECTRONIC TECHNOLOGIES, LLC AND SHOULD NOT BE USED WITHOUT WRITTEN PERMISSION									
QUALITY SYMBOLS	GENERAL TOLERANCES (UNLESS SPECIFIED)				DIMENSION UNITS	SCALE	molex ZQSFP+ 1X2 GANGED CAGE		
▽ = 0	ANGULAR TOL ± 1.0 °				mm	2.5:1			
▽ = 0	4 PLACES ±				DRWN BY	DATE	PRODUCT CUSTOMER DRAWING		
▽ = 0	3 PLACES ±				LLU20	2016/02/16			
▽ = 0	2 PLACES ± 0.13				CHKD BY	DATE	SERIES MATERIAL NUMBER CUSTOMER		
▽ = 0	1 PLACE ± 0.25				LLU20	2016/03/07			
▽ = 0	0 PLACES ±				APPR BY	DATE	DOCUMENT NUMBER DOC TYPE DOC PART SHEET NUMBER		
▽ = 0	DRAFT WHERE APPLICABLE MUST REMAIN WITHIN DIMENSIONS				RCHE08	2016/03/08			
▽ = 0	SEE REVISION TABLE				DRAWING SIZE	THIRD ANGLE PROJECTION	100015 1000152200 GENERAL MARKET		
▽ = 0	EC NO: 103404				D	⊕			
▽ = 0	DRWN: LLU20				1000152200 PSD ASY 7 OF 8				
▽ = 0	CHKD: RCHE08								
▽ = 0	REV APPR: RCHE08				C1				
▽ = 0	REV APPR: RCHE08								

