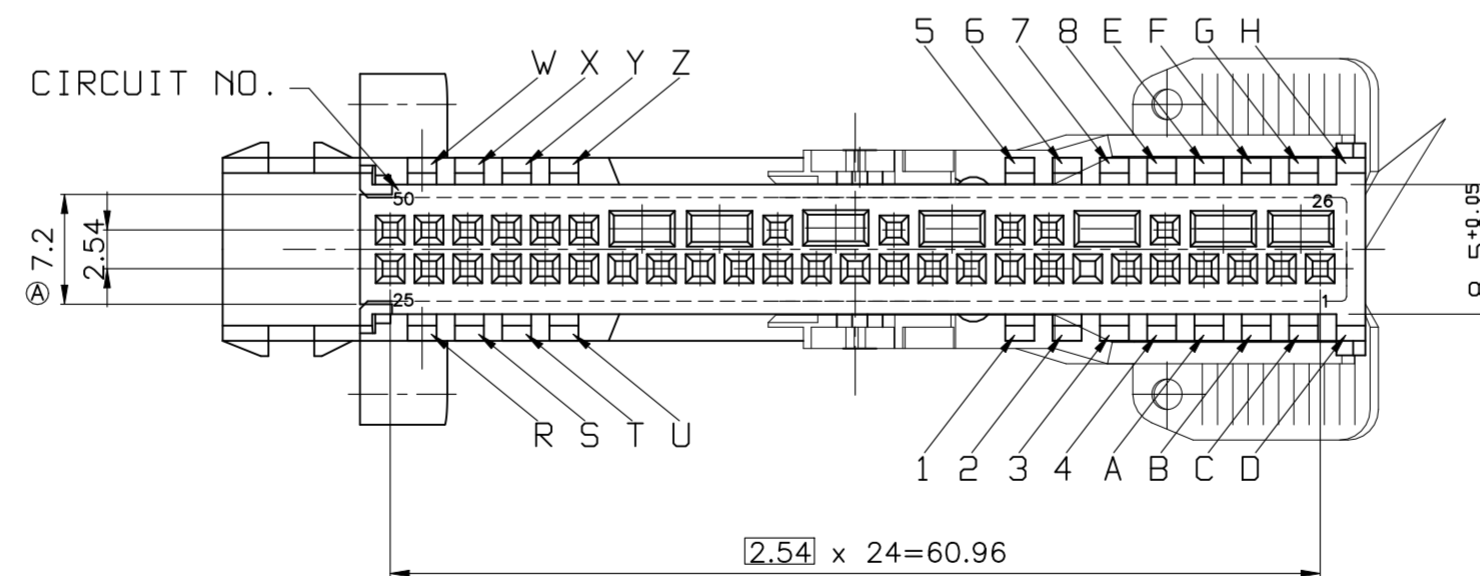
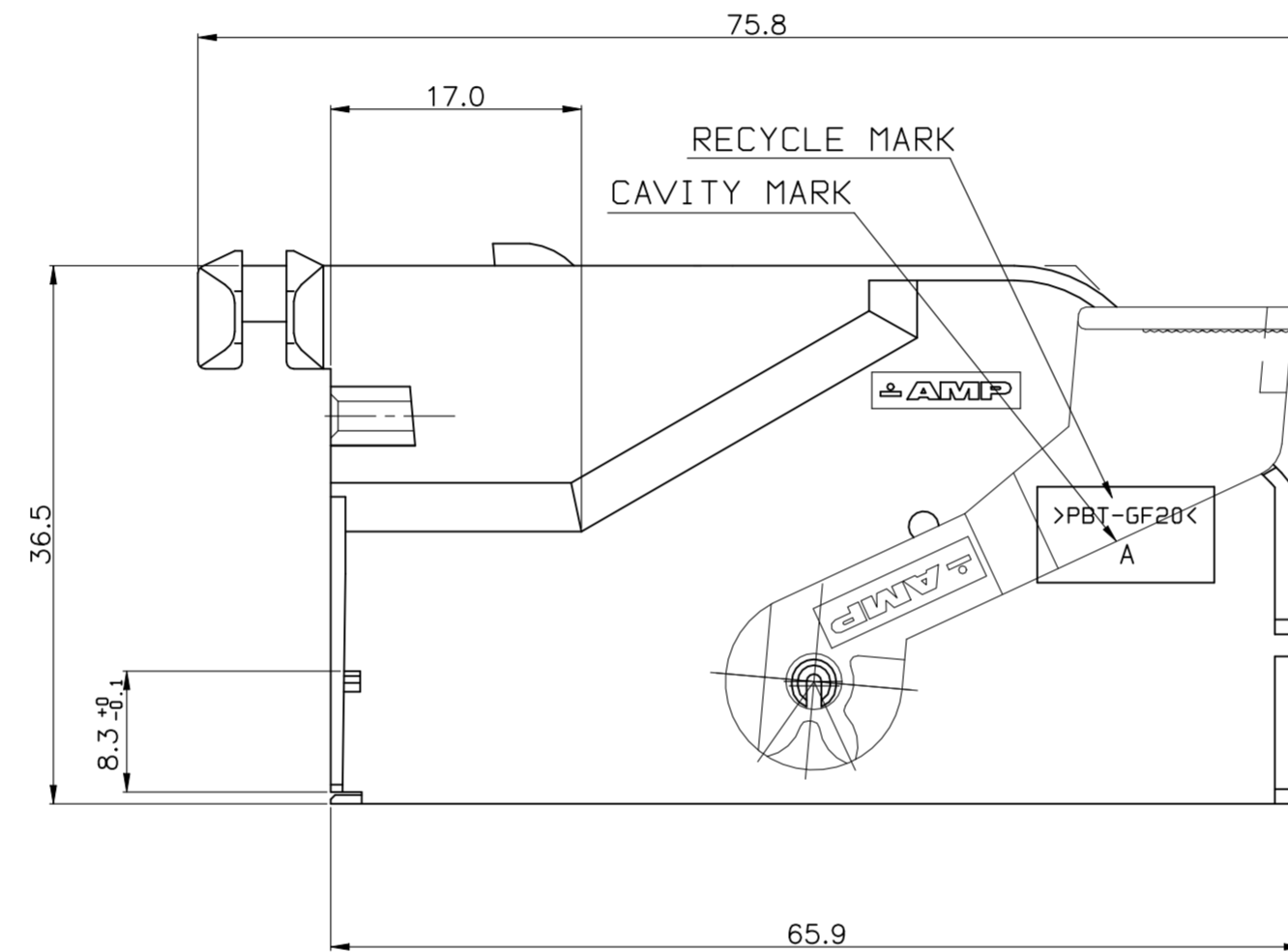
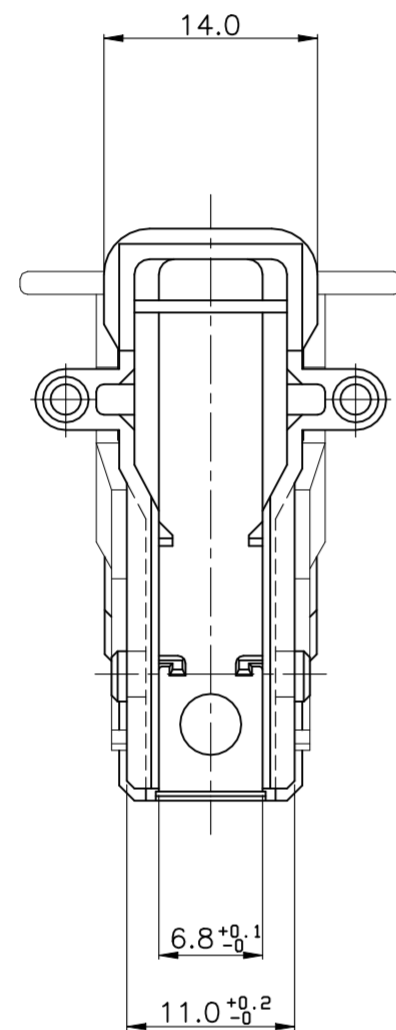
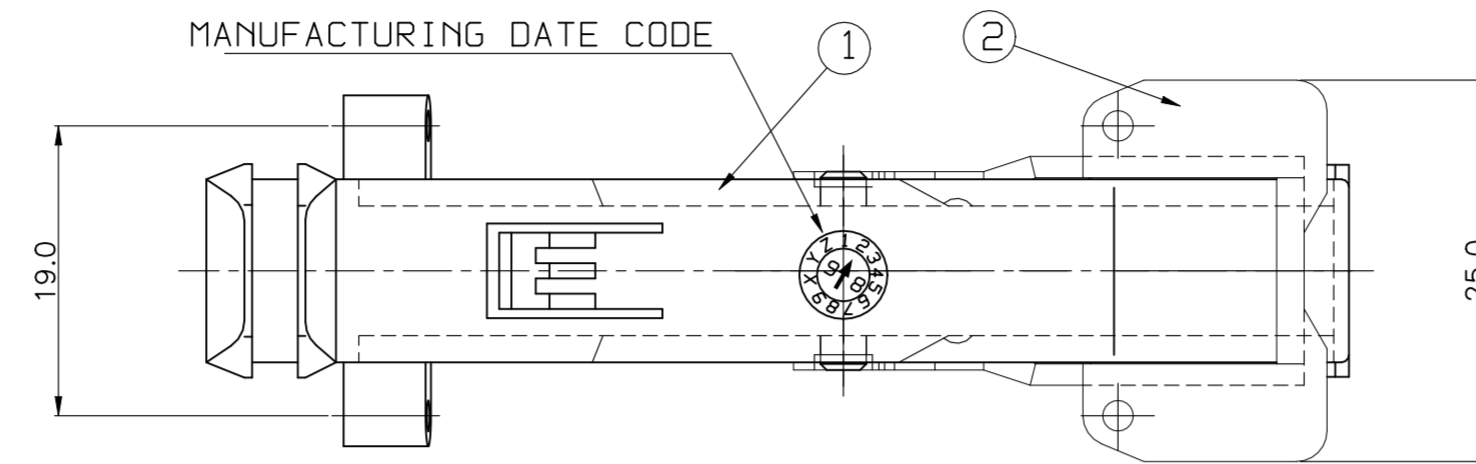
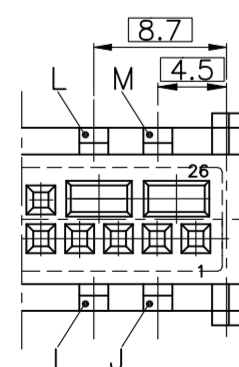


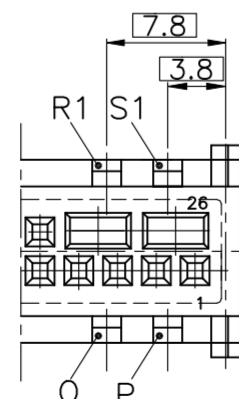
REVISIONS				
P	LTR	DESCRIPTION	DATE	APVD
K2		REVISED (ECR-22-137220)	28APR2022	HG KYH



NOTE  
 1. DRAWING KEY IS (D-H)  
 2. APPLICABLE PLUG HOUSING ASS'Y: P/N 368233



VIEW CODE "IJLM"



VIEW CODE "OPR1S1"

TOLERANCES UNLESS OTHERWISE SPECIFIED:

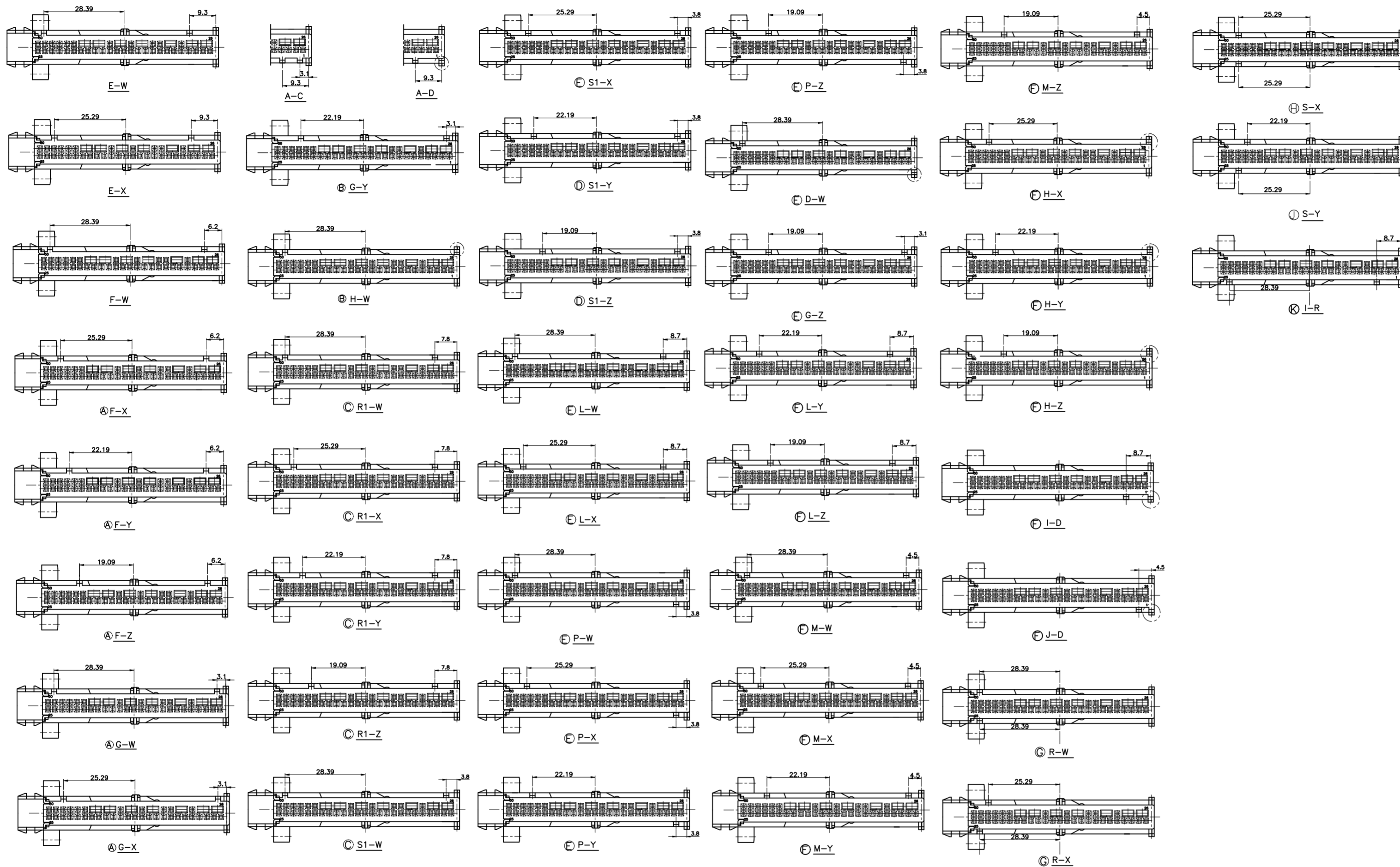
0 <XX<10	± 0.2
10<XX<30	± 0.25
30<XX	± 0.3
ANGLES	± 3°

THIS DRAWING IS A CONTROLLED DOCUMENT.

DIMENSIONS:	TOLERANCES UNLESS OTHERWISE SPECIFIED:
mm	0 PLC ± -
	1 PLC ± -
	2 PLC ± -
	3 PLC ± -
	4 PLC ± -
	ANGLES ± -
MATERIAL	FINISH
SEE TABLE	SEE TABLE

2	BLACK	LEVER HOUSING	368235-1	1
1	SEE TABLE	COVER HOUSING	SEE TABLE	1
ITEM NO.	COLOR	DESCRIPTION	P/N	Q'TY
-		<b>TE</b> TE Connectivity		
-		AIRBAG 50P COVER ASS'Y		
-		-		
-		-		
WEIGHT	0	SIZE	A2	RESTRICTED TO
CUSTOMER DRAWING		CAGE CODE	00779	1
		DRAWING NO	C=1743109	4
		SCALE	FREE	REV
		SHEET	1 of 4	K2

P	LTR	DESCRIPTION	DATE	DWN	APVD
-	-	SEE SHEET 1	-	-	-



GEOMETRY CODE

THIS DRAWING IS A CONTROLLED DOCUMENT.		DWN SH JANG	TE Connectivity	
DIMENSIONS: mm		CHK KT LIM	NAME AIRBAG 50P COVER ASS'Y	
TOLERANCES UNLESS OTHERWISE SPECIFIED:		APVD HG CHO	PRODUCT SPEC	
0 <XX<10 ± 0.2 10<XX<30 ± 0.25 30<XX ± 0.3 ANGLES ± 3°		APPLICATION SPEC	SIZE A2	
MATERIAL SEE TABLE		FINISH SEE TABLE	WEIGHT 0	CAGE CODE 00779
		DRAWING NO C=1743109		RESTRICTED TO -
CUSTOMER DRAWING			SCALE FREE	SHEET 2 of 4
			REV K2	

P	LTR	DESCRIPTION	DATE	DWN	APVD
-	-	SEE SHEET 1	-	-	-

0-1743109									
A	A								
-9	-8	-7	-6	-5			-2	-1	

NO	PART NO	DESCRIPTION	MATERIAL	COLOR	CODE	REQUIRED PER ASSEMBLY
②	0-368235-1	LEVER HSG	PBT GF20	BLACK		1 1 1 1 1 1 1 1
①	0-1743110-9			BROWN BEIGE (RAL 1011)	F-Y	1
①	0-1743110-8			GREEN BEIGE (RAL 1000)	F-X	1
①	0-1743110-7			LIGHT BLUE (RAL 5012)	A-D	1
①	0-1743110-6			EMERALD GREEN (RAL 6001)	A-C	1
①	0-1743110-5	COVER HSG	PBT GF20	PASTEL GREEN (RAL 6019)	F-W	1
①	0-1743110-2			LIGHT BLUE (RAL 5012)	E-X	1
①	0-1743110-1	COVER HSG	PBT GF20	CURRY (RAL 1027)	E-W	1

OBSOLETE  
OBSOLETE  
OBSOLETE  
OBSOLETE  
OBSOLETE

2-1743109									
D	E	C	C	C	C	C	B	E	
-9	-8	-7	-6	-5	-4	-3	-2	-1	

NO	PART NO	DESCRIPTION	MATERIAL	COLOR	CODE	REQUIRED PER ASSEMBLY
②	0-368235-1	LEVER HSG	PBT GF20	BLACK		1 1 1 1 1 1 1 1
①	2-1743110-9			LUMINOUS ORANGE (RAL 2005)	S1-Y	1
①	2-1743110-8			PASTEL ORANGE (RAL 2003)	S1-X	1
①	2-1743110-7			GRAPHITE BLACK (RAL 9011)	S1-W	1
①	2-1743110-6			CLAY BROWN (RAL 8003)	R1-Z	1
①	2-1743110-5			BASOLT GREY (RAL 7012)	R1-Y	1
①	2-1743110-4			KHAKI GREY (RAL 7008)	R1-X	1
①	2-1743110-3			OPAL GREEN (RAL 6026)	R1-W	1
①	2-1743110-2			TRAFFIC RED (RAL 3020)	H-W	1
①	2-1743110-1	COVER HSG	PBT GF20	CLAY BROWN (RAL 8003)	G-Z	1

OBSOLETE  
OBSOLETE  
OBSOLETE  
OBSOLETE  
OBSOLETE

1-1743109									
E	E	E	E	E	E	A	A	A	
-9	-8	-7	-6	-5	-4	-3	-2	-1	

NO	PART NO	DESCRIPTION	MATERIAL	COLOR	CODE	REQUIRED PER ASSEMBLY
②	0-368235-1	LEVER HSG	PBT GF20	BLACK		1 1 1 1 1 1 1 1
①	1-1743110-9			KHAKI GREY (RAL 7008)	D-W	1
①	1-1743110-8			SIGNAL GREEN (RAL 6032)	P-Z	1
①	1-1743110-7			FIR GREEN (RAL 6009)	P-Y	1
①	1-1743110-6			TRAFFIC BLUE (RAL 5017)	P-X	1
①	1-1743110-5			BEIGE (RAL1001)	P-W	1
①	1-1743110-4			SIGNAL BLUE (RAL 5005)	G-Y	1
①	1-1743110-3			CLARET VIOLET (RAL 4004)	G-X	1
①	1-1743110-2			GREEN BLUE (RAL 5001)	G-W	1
①	1-1743110-1	COVER HSG	PBT GF20	WINE RED (RAL 3005)	F-Z	1

OBSOLETE  
OBSOLETE  
OBSOLETE

3-1743109							
E	E	E	E	E	E	D	
-9	-8	-7	-6	-4	-3	-1	

NO	PART NO	DESCRIPTION	MATERIAL	COLOR	CODE	REQUIRED PER ASSEMBLY
②	0-368235-1	LEVER HSG	PBT GF20	BLACK		1 1 1 1 1 1 1
①	3-1743110-9			BRILLIANT BLUE (RAL 5007)	M-X	1
①	3-1743110-8			TRAFFIC PURPLE (RAL 4006)	M-W	1
①	3-1743110-7			LUMINOUS YELLOW (RAL 1026)	L-Z	1
①	3-1743110-6	COVER HSG	PBT GF20	LIGHT IVORY (RAL 1015)	L-Y	1
①	3-1743110-4			JET BLACK (RAL 9005)	L-X	1
①	3-1743110-3	COVER HSG	PBT GF20	MELON YELLOW (RAL 1028)	L-W	1
①	3-1743110-1	COVER HSG	PBT GF20	TRAFFIC ORANGE (RAL 2009)	S1-Z	1

OBSOLETE  
OBSOLETE  
OBSOLETE  
OBSOLETE

1743109

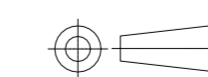
THIS DRAWING IS A CONTROLLED DOCUMENT.

DWN - SH JANG  
CHK - KT LIM  
APVD - HG CHO  
PRODUCT SPEC -  
APPLICATION SPEC -

TE Connectivity

AIRBAG 50P COVER ASS'Y

TOLERANCES UNLESS OTHERWISE SPECIFIED:  
0 <XX<10 ± 0.2  
10<XX<30 ± 0.25  
30<XX ± 0.3  
ANGLES ± 3°



TOLERANCES UNLESS OTHERWISE SPECIFIED:  
0 PLC ± -  
1 PLC ± -  
2 PLC ± -  
3 PLC ± -  
4 PLC ± -  
ANGLES ± -

MATERIAL SEE TABLE

FINISH SEE TABLE

WEIGHT 0

SIZE A2 CAGE CODE 00779 DRAWING NO C=1743109 RESTRICTED TO -

CUSTOMER DRAWING SCALE FREE SHEET 3 of 4 REV K2

REVISIONS

P	LTR	DESCRIPTION	DATE	DWN	APVD
-		SEE SHEET 1	-	-	-


5-1743109					
	K	J	H	G	C
	-7	-6	-5	-3	-2

NO	PART NO	DESCRIPTION	MATERIAL	COLOR	CODE	REQUIRED PER ASSEMBLY
②	0-368235-1	LEVER HSG	PBT GF20	BLACK		1 1 1 1 1
①	5-1743110-7			JET BLACK (RAL 9005)	I-R	1
①	5-1743110-6			Traffic Yellow (RAL 1023)	S-Y	1
①	5-1743110-5	COVER HSG	PBT GF20	Signal Blue (RAL 5005)	S-X	1
①	5-1743110-3			Signal Green (RAL 6032)	R-X	1
①	5-1743110-2	COVER HSG	PBT GF20	Graphite Black (RAL 9011)	R-W	1

4-1743109								
	A	F	F	F	F	F	F	
	-8	-7	-6	-5	-4	-3	-2	-1

NO	PART NO	DESCRIPTION	MATERIAL	COLOR	CODE	REQUIRED PER ASSEMBLY
②	0-368235-1	LEVER HSG	PBT GF20	BLACK		1 1 1 1 1 1 1
①	4-1743110-8			PIGEON BLUE (RAL 5014)	L-M	1
①	4-1743110-7			ORANGE BROEN (RAL 8023)	J-D	1
①	4-1743110-6			OPAL GREEN (RAL 6026)	I-D	1
①	4-1743110-5			COBARL BLUE (RAL 5013)	H-Z	1
①	4-1743110-4			PURPLE VIOLET (RAL 4007)	H-Y	1
①	4-1743110-3			PURPLE VIOLET (RAL 1034)	H-X	1
①	4-1743110-2			BLACK OLIVE (RAL 6015)	M-Z	1
①	4-1743110-1	COVER HSG	PBT GF20	PATINA GREEN (RAL 6000)	M-Y	1

OBSOLETE  
OBSOLETE  
OBSOLETE  
OBSOLETE

THIS DRAWING IS A CONTROLLED DOCUMENT.		DWN SH JANG	 TE Connectivity	
DIMENSIONS: mm		CHK KT LIM	NAME AIRBAG 50P COVER ASS'Y	
TOLERANCES UNLESS OTHERWISE SPECIFIED:		APVD HG CHO	PRODUCT SPEC	
0 <XX<10 ± 0.2 10<XX<30 ± 0.25 30<XX ± 0.3 ANGLES ± 3°		0 PLC ± - 1 PLC ± - 2 PLC ± - 3 PLC ± - 4 PLC ± - ANGLES ± -	APPLICATION SPEC	
MATERIAL SEE TABLE		FINISH SEE TABLE	WEIGHT 0	RESTRICTED TO
		SCALE FREE	SIZE A2	CAGE CODE 00779
		DRAWING NO C=1743109		SHEET 4 OF 4
		CUSTOMER DRAWING		REV K2