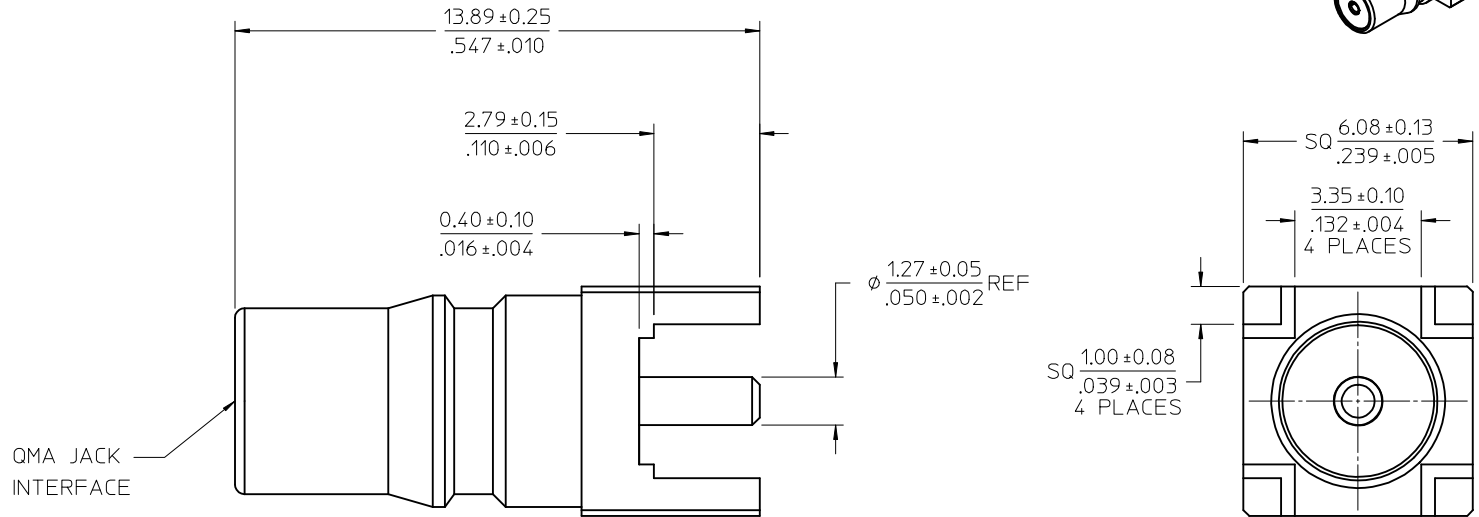
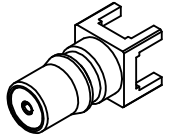


MATERIALS AND FINISHES

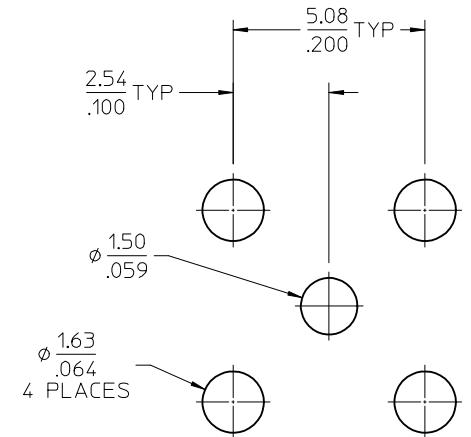
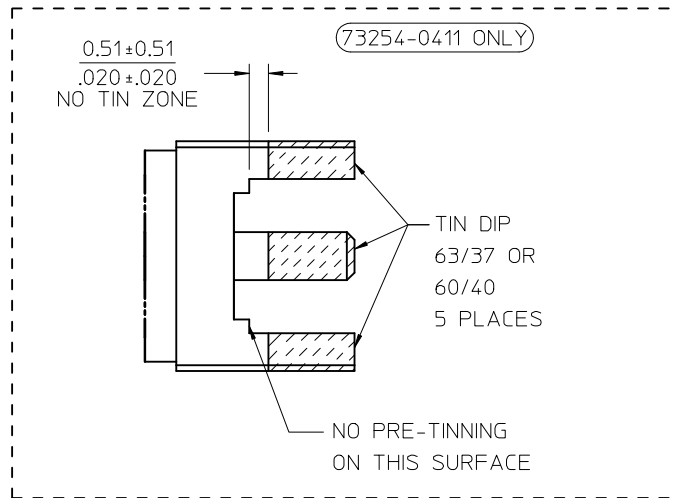
BODY BRASS
PLATED GOLD

CENTER CONTACT BERYLLIUM COPPER
PLATED GOLD

INSULATOR TEFLON



QMA JACK
INTERFACE



73254-0411	YES	NO
73254-0410	NO	YES
PART NUMBER	PRE-TINNED	ROHS COMPLIANT

PS-89675-1330	QMA
SPECIFICATION	DESCRIPTION

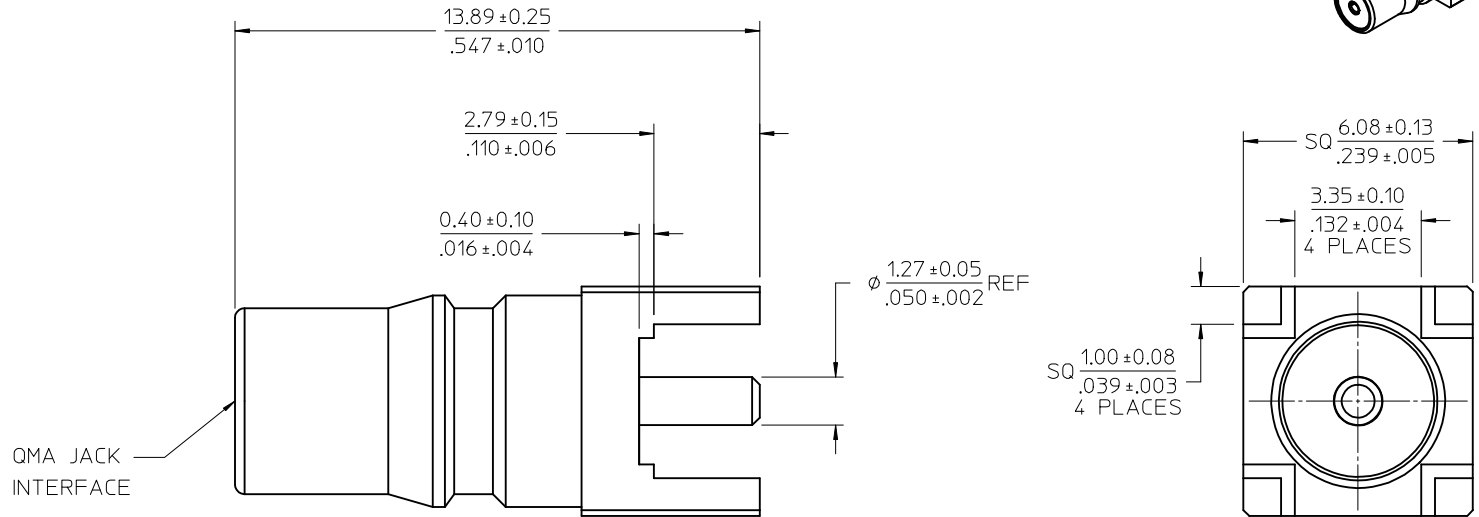
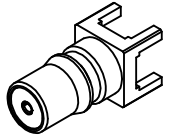
CHG: INITIAL EC NO: URF2010-0088 DRWN: WIENER 2009/08/07 CHKD: SHAH 2009/08/07 APPR: WIENER 2009/08/07	QUALITY SYMBOLS ▽=0 ▽=0	GENERAL TOLERANCES (UNLESS SPECIFIED)	DIMENSION STYLE MM/IN	SCALE METRIC	DESIGN UNITS METRIC	THIRD ANGLE PROJECTION
		4 PLACES ± --- ± --- 3 PLACES ± --- ± --- 2 PLACES ± --- ± --- 1 PLACE ± --- ± --- ANGULAR ± 2 °	DRAWN BY DATE JDW 2009/08/07 CHECKED BY DATE SSS 2009/08/07 APPROVED BY DATE JDW 2009/08/07	TITLE QMA JACK PCB THRU-HOLE 50 OHMS TIN DIPPED LEGS EWR-4161, QMA-J/PCB	MATERIAL NO. SEE TABLE	DOCUMENT NO. SD-73254-041
DRAFT WHERE APPLICABLE MUST REMAIN WITHIN DIMENSIONS		THIS DRAWING CONTAINS INFORMATION THAT IS PROPRIETARY TO MOLEX INCORPORATED AND SHOULD NOT BE USED WITHOUT WRITTEN PERMISSION				

MATERIALS AND FINISHES

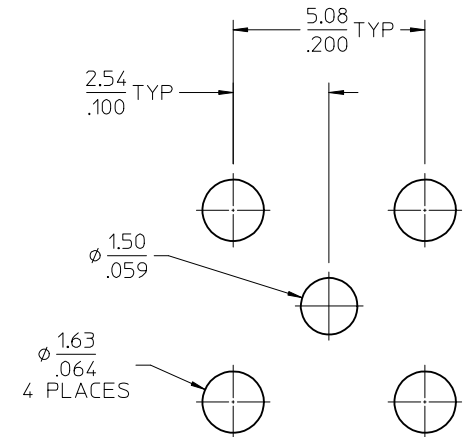
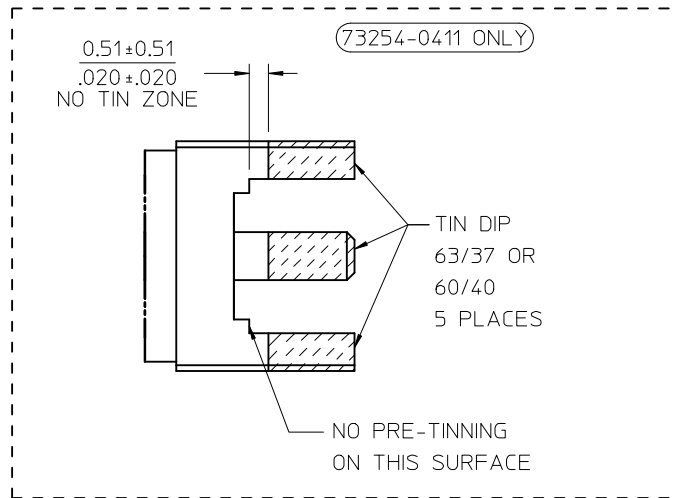
BODY BRASS
PLATED GOLD

CENTER CONTACT BERYLLIUM COPPER
PLATED GOLD

INSULATOR TEFLON



QMA JACK
INTERFACE



73254-0411	YES	NO
73254-0410	NO	YES
PART NUMBER	PRE-TINNED	ROHS COMPLIANT

PS-89675-1330	QMA
SPECIFICATION	DESCRIPTION

CHG: INITIAL EC NO: URF2010-0088 DRWN: WIENER CHKD: SHAH APPR: WIENER	QUALITY SYMBOLS ▽=0 ▽=0	GENERAL TOLERANCES (UNLESS SPECIFIED) mm INCH 4 PLACES ± --- ± --- 3 PLACES ± --- ± --- 2 PLACES ± --- ± --- 1 PLACE ± --- ± --- ANGULAR ± 2 °	DIMENSION STYLE MM/IN DRAWN BY DATE JDW 2009/08/07 CHECKED BY DATE SSS 2009/08/07 APPROVED BY DATE JDW 2009/08/07	SCALE DESIGN UNITS METRIC THIRD ANGLE PROJECTION	TITLE QMA JACK PCB THRU-HOLE 50 OHMS TIN DIPPED LEGS EWR-4161, QMA-J/PCB	MOLEX INCORPORATED	DOCUMENT NO. SD-73254-041	SHEET NO. 1 OF 1