

下部詳細
DETAIL T

注記 NOTES:

1. 使用材料
MATERIAL
ハウジング : 液晶ポリマー (LCP), ガラス充填, UL94V-0, 色 : 黒
HOUSING : LIQUID CRYSTAL POLYMER(LCP), GLASS FILLED, UL94V-0, COLOR: BLACK
ターミナル : 銅合金 (t=0.15)
TERMINAL : COPPER ALLOY (t=0.15)
ネイル : 銅合金 (t=0.2)
NAIL : COPPER ALLOY (t=0.2)
2. メッキ仕様
PLATING
ターミナル
TERMINAL
接点部 : 金メッキ 0.25 マイクロメートル以上
CONTACT AREA: GOLD 0.25 MICROMETER MINIMUM
半田付け部 : 金メッキ 0.4 マイクロメートル以下
SOLDER TAIL AREA : GOLD 0.4 MICROMETER MAXIMUM
下地メッキ : ニッケルメッキ 1.5 マイクロメートル以上
UNDER PLATING : NICKEL 1.5 MICROMETER MINIMUM
ネイル
NAIL
錫メッキ 3.0 マイクロメートル以上
TIN 3.0 MICROMETER MINIMUM
下地メッキ : ニッケルメッキ 1.0 マイクロメートル以上
UNDER PLATING : NICKEL 1.0 MICROMETER MINIMUM
3. テール平坦度は、0.08 ミリメートル以下
テールとネイルを併せた平坦度は、0.1 ミリメートル以下
TAIL COPLANARITY TO BE 0.08 MAXIMUM.
TAILS AND NAILS COPLANARITY TO BE 0.1 MAXIMUM.
4. 嵌合相手 : 55650シリーズ (嵌合高さ = 2.0mm)
MATE WITH: 55650 SERIES (HEIGHT = 2.0mm)
5. 本製品はエンボス梱包品 54363-**08の鉛フリー品である
THIS PRODUCT IS 'LEAD FREE' OF EMBOSSED TAPE PKG 54363-**08

30.5	31.9	29.5	33.9	54363-1278	120
18.0	19.4	17.0	21.4	54363-0778	70
D	C	B	A	EMBOSSED PACKAGE	極数
オーダー番号 ORDER No.					CIRCUIT
CONNECTOR SERIES No. 54363-**71					

GENERAL TOLERANCES (UNLESS SPECIFIED)		DIMENSION UNITS	SCALE	CURRENT REV DESC: REVISED	
0.25 ^{UNDER}	±0.03	mm	10:1	EC NO: 642297	
0.25 ^{OVER} 0.5 ^{UNDER}	±0.05	GENERAL TOLERANCES (UNLESS SPECIFIED) ANGULAR TOL ± 3.0°		DRWN: SUDAYGUNAGI 2020/09/18	
0.5 ^{OVER} 1.0 ^{UNDER}	±0.1			CHK'D: HSHIMUYAMA 2020/11/30	
1.0 ^{OVER} 10 ^{UNDER}	±0.2			APPR: SHOSHIKAWA 2020/11/30	
10 ^{OVER} 30 ^{UNDER}	±0.25			INITIAL REVISION:	
30 ^{OVER}	±0.3			DRWN: AIDA 2004/01/07	
ANGULAR ±3°		DRAFT WHERE APPLICABLE MUST REMAIN WITHIN DIMENSIONS		APPR: YOITO 2004/01/07	
DRAFT WHERE APPLICABLE MUST REMAIN WITHIN DIMENSIONS		THIRD ANGLE PROJECTION	DRAWING	SERIES	MATERIAL NUMBER
			A3-SIZE	54363	SEE TABLE
DOCUMENT STATUS		P1	RELEASE DATE	2020/11/30	03:37:40

molex

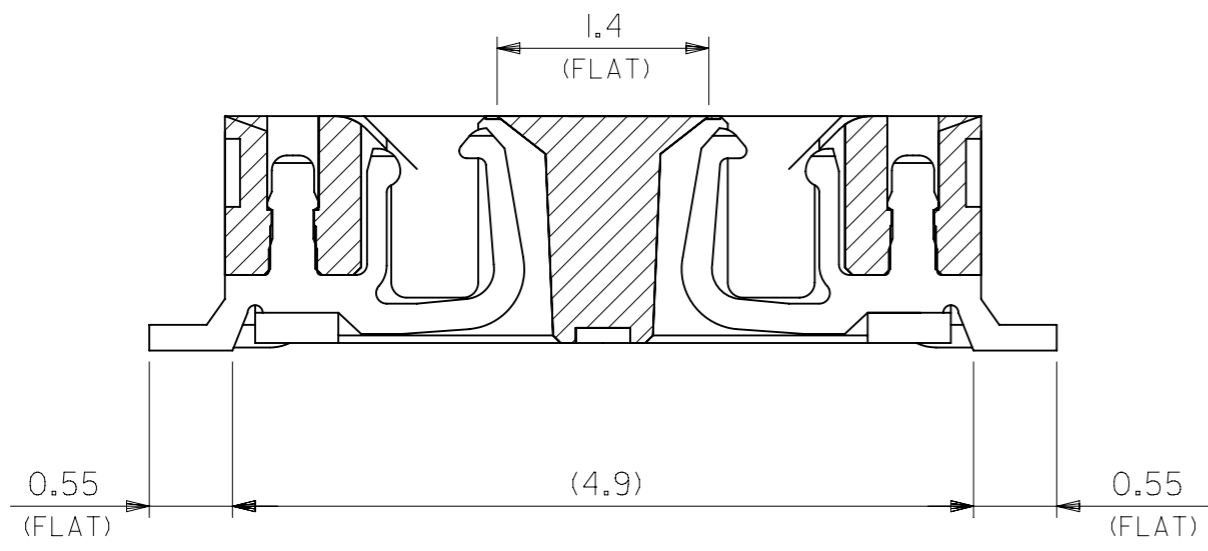
0.5 MM PITCH B-TO-B CONN.
HEIGHT = 2 RECEPTACLE

PRODUCT CUSTOMER DRAWING

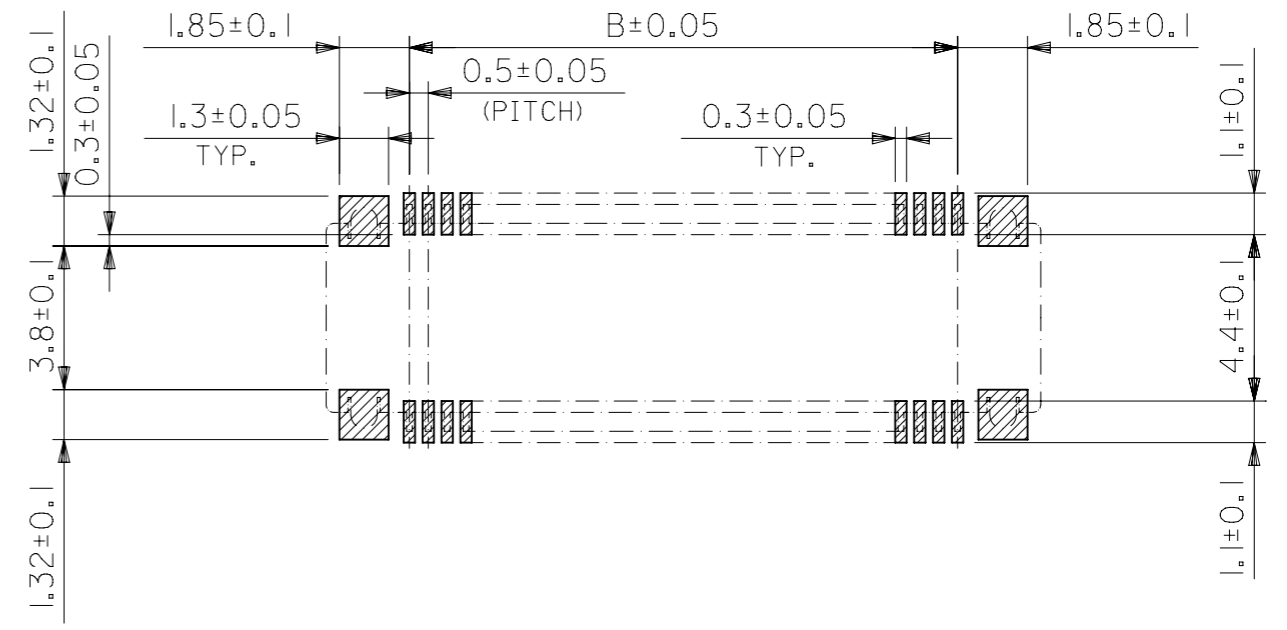
DOCUMENT NUMBER: SD-54363-038
DOC TYPE: PSD
DOC PART: 001
REVISION: D

CUSTOMER: GENERAL

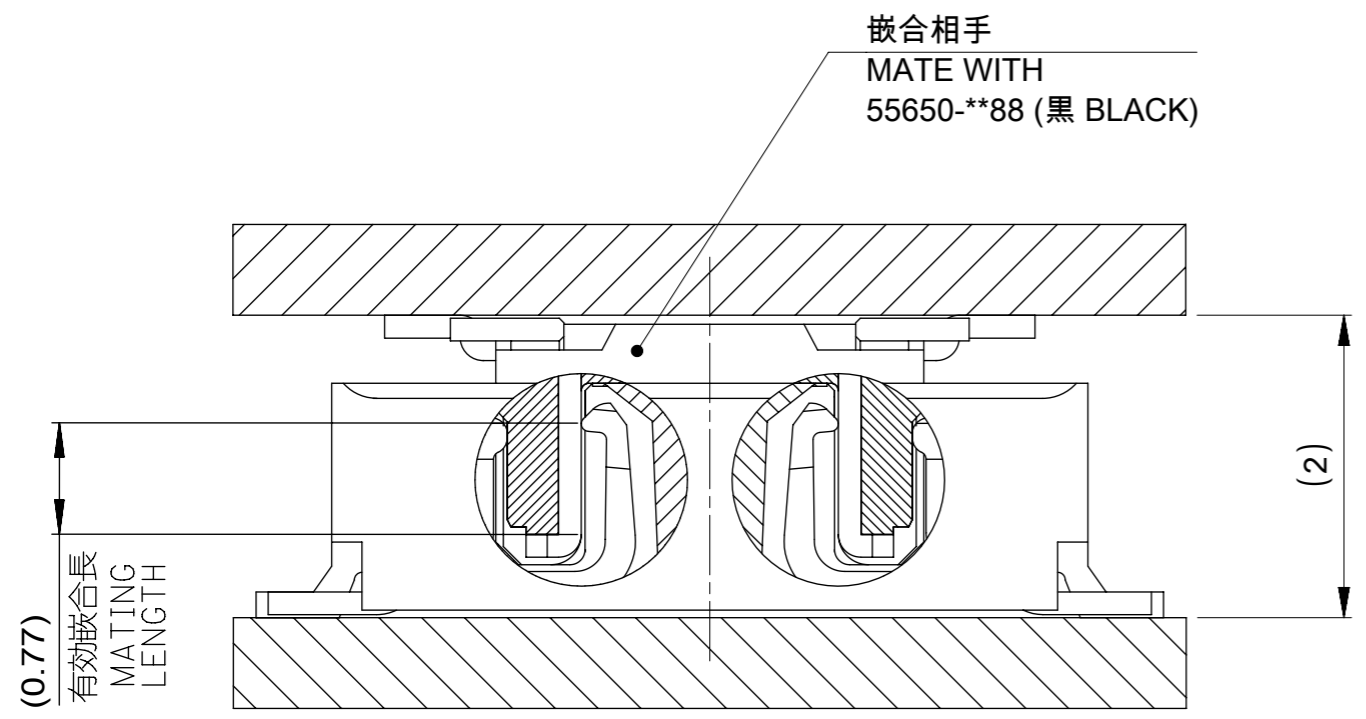
SHEET NUMBER: 1 OF 2



製品断面図 (半田付け部、吸着面寸法)
 DETAIL FOR SOLDERING AND VACUUM AREA

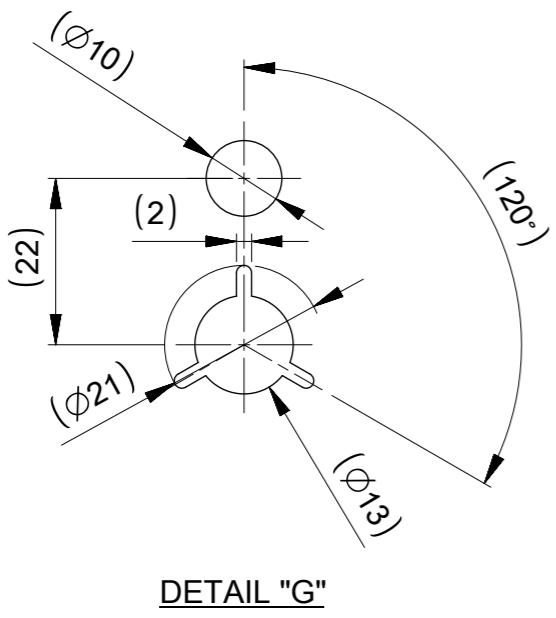
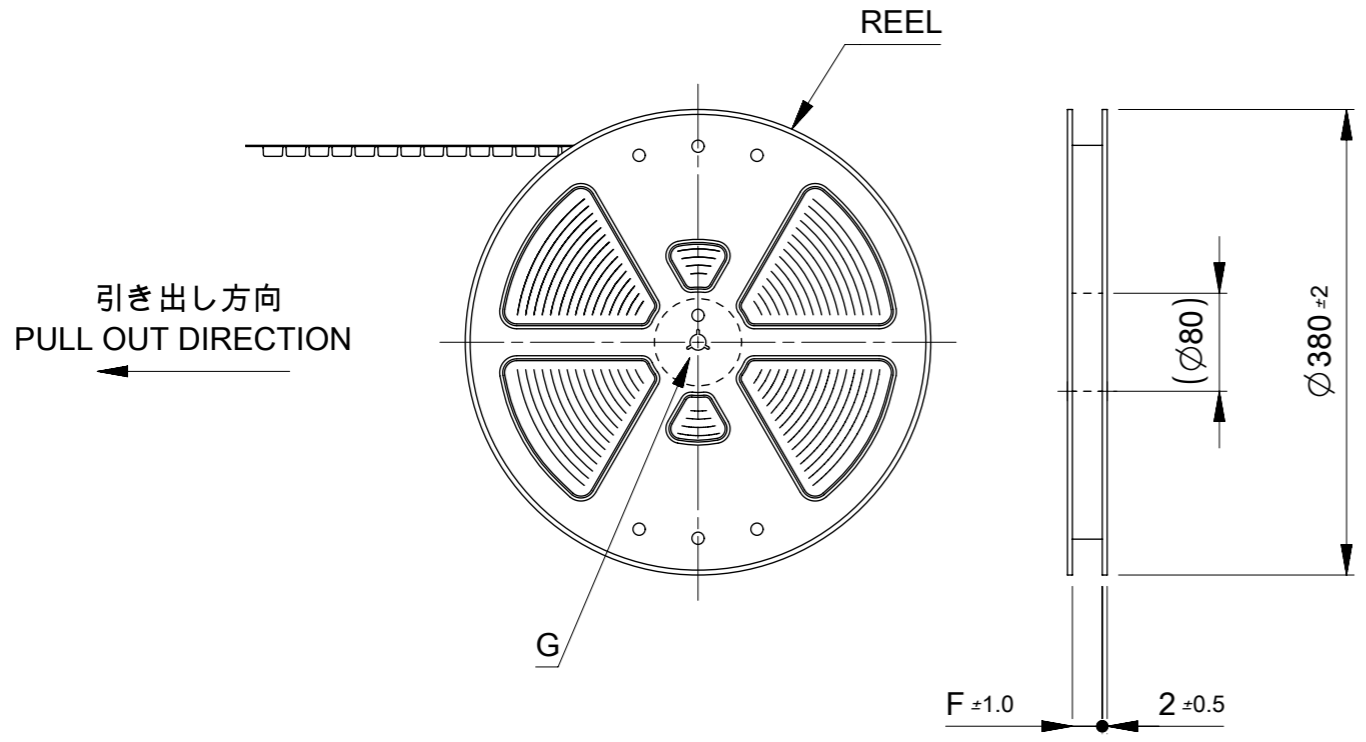


推奨基板寸法
 RECOMMENDED PCB PATTERN LAYOUT
 (SCALE:5-1)



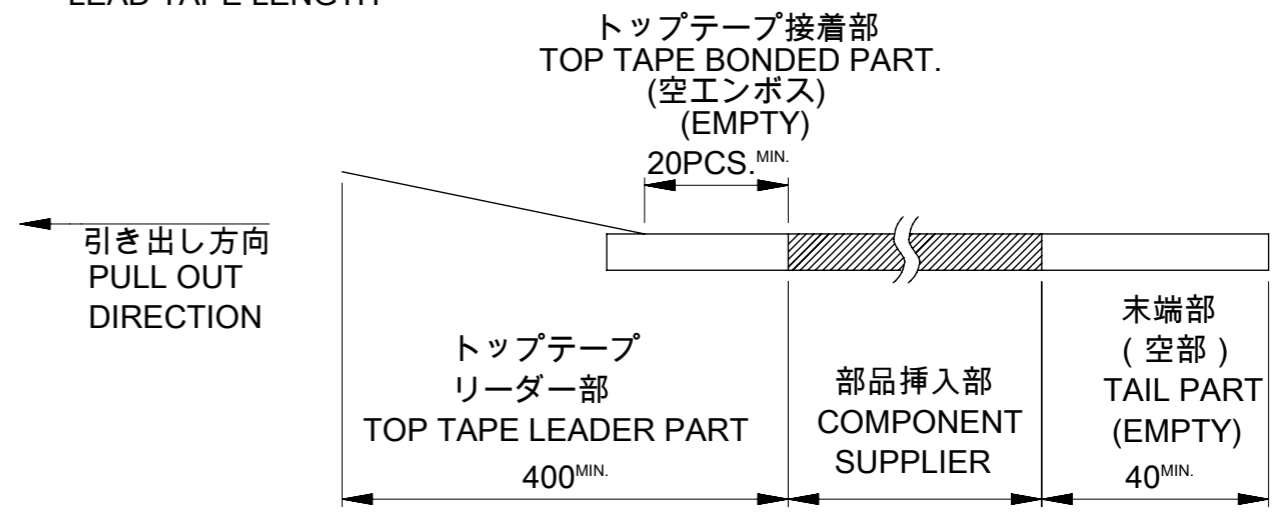
嵌合断面図 (参考)
 MATED DRAWING (REF.)

GENERAL TOLERANCES (UNLESS SPECIFIED)		DIMENSION UNITS	SCALE	THIS DRAWING CONTAINS INFORMATION THAT IS PROPRIETARY TO MOLEX ELECTRONIC TECHNOLOGIES, LLC AND SHOULD NOT BE USED WITHOUT WRITTEN PERMISSION	
0.25 ^{UNDER}	±0.03	mm	20:1	CURRENT REV DESC: REVISED	
0.25 ^{OVER} 0.5 ^{UNDER}	±0.05	GENERAL TOLERANCES (UNLESS SPECIFIED)		molex 0.5 MM PITCH B-TO-B CONN. HEIGHT = 2 RECEPTACLE PRODUCT CUSTOMER DRAWING	
0.5 ^{OVER} 1.0 ^{UNDER}	±0.1				
1.0 ^{OVER} 10 ^{UNDER}	±0.2				
10 ^{OVER} 30 ^{UNDER}	±0.25				
30 ^{OVER}	±0.3				
ANGULAR±3°		ANGULAR TOL ± 3.0°		EC NO: 642297 DRWN: SUDAYGUNAGI 2020/09/18 CHK'D: HSHIMOYAMA 2020/11/30 APPR: SHOSHIKAWA 2020/11/30 INITIAL REVISION: DRWN: AIDA 2004/01/07 APPR: YOITO 2004/01/07	
DRAFT WHERE APPLICABLE MUST REMAIN WITHIN DIMENSIONS		DRAFT WHERE APPLICABLE MUST REMAIN WITHIN DIMENSIONS		THIRD ANGLE PROJECTION	DOCUMENT NUMBER SD-54363-038 DOC TYPE PSD DOC PART 001 REVISION D
DOCUMENT STATUS	P1	RELEASE DATE	2020/11/30	03:37:40	MATERIAL NUMBER SEE SHEET 1 CUSTOMER GENERAL SHEET NUMBER 2 OF 2



NOTES

- 1. 製品詳細寸法については図面SD-54363-038を参照下さい。
DETAIL DIMENSION, SEE SD-54363-038.
- 2. 梱包数量 : 2500個 / リール
NUMBER OF CONNECTORS : 2500PCS/REEL
- 3. リードテープ長さ
LEAD TAPE LENGTH



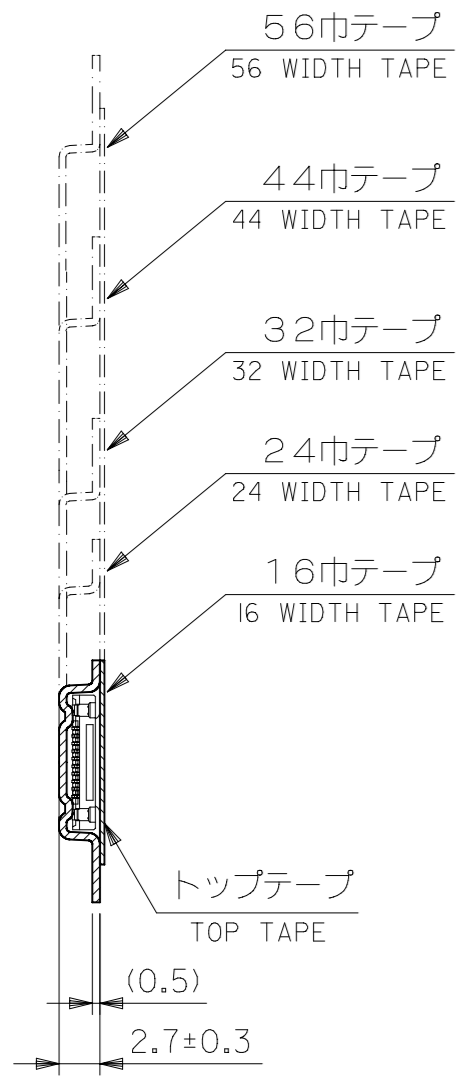
- 4. カバーテープの剥離強度については、IEC60286-3に準拠
COVER TAPE PEEL FORCE IS DEFINED BY IEC60286-3.

5. 材料

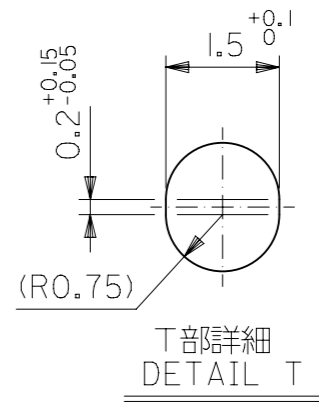
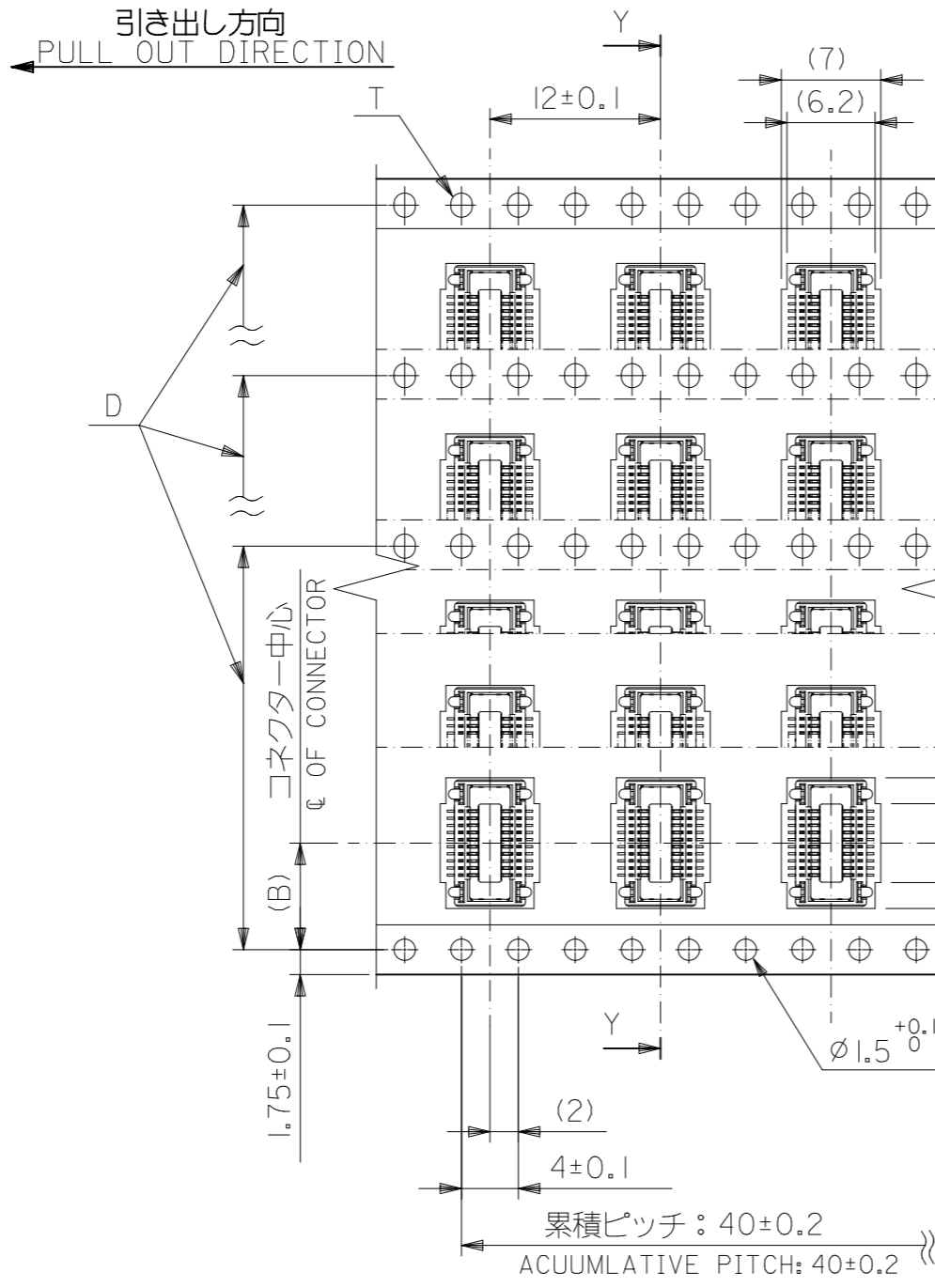
MATERIAL
 キャリアテープ : ポリプロピレン (PP)
 CARRIER TAPE : POLYPROPYLENE (PP)
 トップテープ : PET , PE , PEF
 TOP TAPE : PET , PE , PEF
 リール : ポリスチレン
 REEL : POLYSTYREN

- 6. この製品はエンボス梱包品54363-**08 の鉛フリー品です。
THIS PRODUCT IS 'LEAD FREE' OF EMBOSSED TAPE PKG 54363-**08

THIS DRAWING CONTAINS INFORMATION THAT IS PROPRIETARY TO MOLEX ELECTRONIC TECHNOLOGIES, LLC AND SHOULD NOT BE USED WITHOUT WRITTEN PERMISSION		CURRENT REV DESC: REVISED		molex	
DIMENSION UNITS	SCALE				
mm	NTS			0.5 MM PITCH B-TO-B CONN. HEIGHT = 2 RECEPTACLE EMBOSS TAPE PACKAGE	
GENERAL TOLERANCES (UNLESS SPECIFIED)		GENERAL TOLERANCES (UNLESS SPECIFIED)		EC NO: 649457	
ANGULAR TOL ± °		ANGULAR TOL ± °		DRWN: SUDAYGUNAGI 2020/09/17	
4 PLACES ±		4 PLACES ±		CHK'D: HSHIMYOYAMA 2020/12/02	
3 PLACES ±		3 PLACES ±		APPR: SHOSHIKAWA 2020/12/02	
2 PLACES ±		2 PLACES ±		INITIAL REVISION:	
1 PLACE ±		1 PLACE ±		DRWN: AIDA 2004/01/07	
0 PLACES ±		0 PLACES ±		APPR: YOITO 2004/01/07	
DRAFT WHERE APPLICABLE MUST REMAIN WITHIN DIMENSIONS		DRAFT WHERE APPLICABLE MUST REMAIN WITHIN DIMENSIONS		THIRD ANGLE PROJECTION	DRAWING
					A3-SIZE
				SERIES	MATERIAL NUMBER
				54363	SEE SHEET 2
				CUSTOMER	SHEET NUMBER
				GENERAL	1 OF 2



断面 Y-Y
SECTION Y-Y



57.4	56±0.3	52.4	34.2	26.2	30.55	54363-1278	120	
33.4	32±0.3	28.4	21.7	14.2	18.05	54363-0778	70	
F	E キャリアテープ幅 CARRIER TAPE WIDTH		D	C	B	(A)	EMBOSSED TAPE PACKAGE	極数 CIRCUITS
	オーダー番号 ORDER No.							

THIS DRAWING CONTAINS INFORMATION THAT IS PROPRIETARY TO MOLEX ELECTRONIC TECHNOLOGIES, LLC AND SHOULD NOT BE USED WITHOUT WRITTEN PERMISSION

mm NTS

GENERAL TOLERANCES (UNLESS SPECIFIED)

10 ^{UNDER}	±0.2
10 ^{OVER} 30 ^{UNDER}	±0.25
30 ^{OVER}	±0.3

ANGULAR TOL ± °

4 PLACES	±
3 PLACES	±
2 PLACES	±
1 PLACE	±
0 PLACES	±

EC NO: 649457
DRWN: SUDAYGUNAGI
CHK'D: HSHIMOYAMA
APPR: SHOSHIKAWA

INITIAL REVISION:
DRWN: AIDA
APPR: YOITO

2020/09/17
2020/12/02
2020/12/02

2004/01/07
2004/01/07

DOCUMENT NUMBER: SD-54363-039
DOC TYPE: PSD
DOC PART: 001
REVISION: C

0.5 MM PITCH B-TO-B CONN.
HEIGHT = 2 RECEPTACLE EMBOSS TAPE PACKAGE

PRODUCT CUSTOMER DRAWING

THIRD ANGLE PROJECTION
DRAWING: A3-SIZE
SERIES: 54363
MATERIAL NUMBER: SEE TABLE
CUSTOMER: GENERAL
SHEET NUMBER: 2 OF 2