



Connectors > Automotive Connectors > Automotive Connector Accessories > Automotive Connector Caps & Covers > DEUTSCH HD30 Backshells



Protection & Strain Relief Accessory Type: **Strain Relief**

Strain Relief: **With**

Primary Product Material: **Aluminum**

Number of Positions: **7, 9, 14, 16, 18, 19, 21, 23, 29, 31, 33, 35, 47**

Operating Temperature (Max): **125 °C [257 °F]**

[All DEUTSCH HD30 Backshells \(6\)](#)

## Features

### Product Type Features

Protection & Strain Relief Accessory Type	Strain Relief
Sealable	No

### Configuration Features

Number of Positions	7, 9, 14, 16, 18, 19, 21, 23, 29, 31, 33, 35, 47
---------------------	--

### Body Features

Primary Product Material	Aluminum
--------------------------	----------

### Mechanical Attachment

Strain Relief	With
---------------	------

### Dimensions

Compatible Cable Bundle Diameter Range	0 – 37.39 mm[0 – 1.472 in]
--	----------------------------

### Usage Conditions

Compatible With Connector Style	Plug, Receptacle
Operating Temperature (Max)	125 °C[257 °F]
Operating Temperature Range	-55 – 125 °C[-67 – 257 °F]

### Industry Standards

Degree of Protection	Not Tested
----------------------	------------



**Packaging Features**

Packaging Method	Box
------------------	-----

**Other**

Serviceable	Yes
-------------	-----

**Product Compliance**

[For compliance documentation, visit the product page on TE.com>](#)

EU RoHS Directive 2011/65/EU	Compliant
EU ELV Directive 2000/53/EC	Compliant
China RoHS 2 Directive MIIT Order No 32, 2016	No Restricted Materials Above Threshold
EU REACH Regulation (EC) No. 1907/2006	Current ECHA Candidate List: JAN 2023 (233) Candidate List Declared Against: JUNE 2022 (224) Does not contain REACH SVHC
Halogen Content	Low Halogen - Br, Cl, F, I < 900 ppm per homogenous material. Also BFR/CFR/PVC Free
Solder Process Capability	Not reviewed for solder process capability

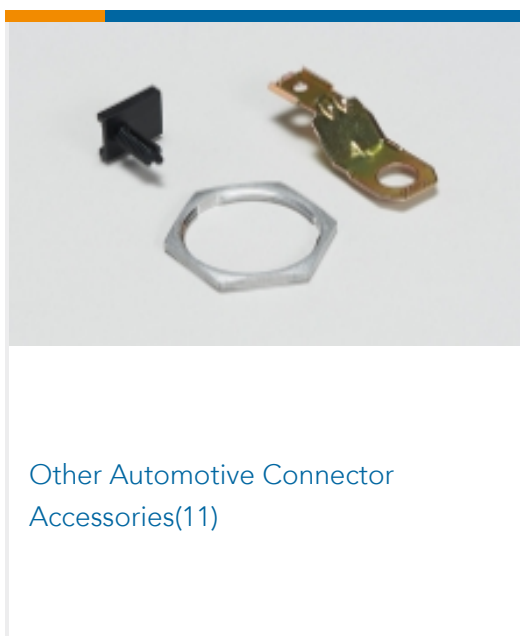
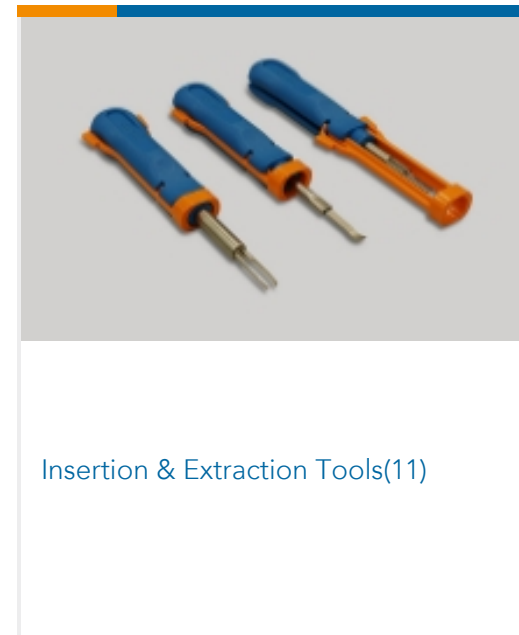
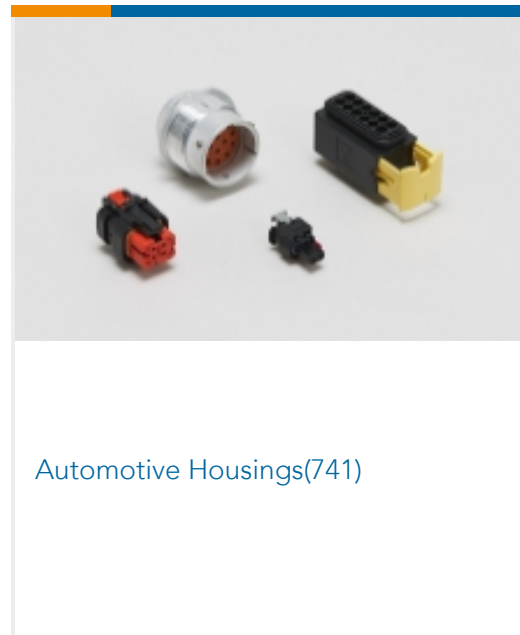
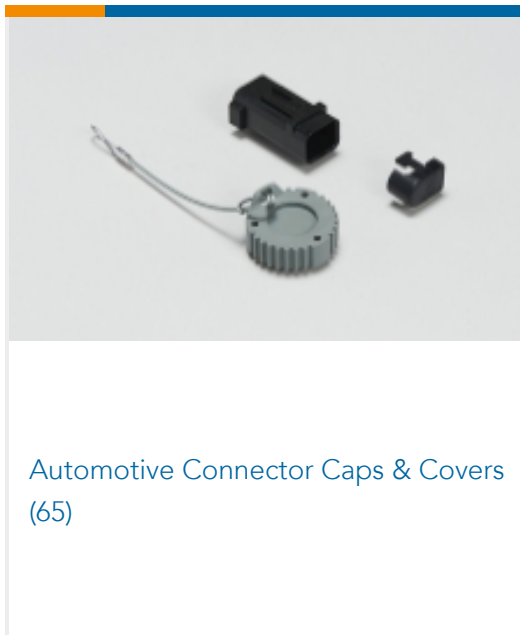
**Product Compliance Disclaimer**

This information is provided based on reasonable inquiry of our suppliers and represents our current actual knowledge based on the information they provided. This information is subject to change. The part numbers that TE has identified as EU RoHS compliant have a maximum concentration of 0.1% by weight in homogenous materials for lead, hexavalent chromium, mercury, PBB, PBDE, DBP, BBP, DEHP, DIBP, and 0.01% for cadmium, or qualify for an exemption to these limits as defined in the Annexes of Directive 2011/65/EU (RoHS2). Finished electrical and electronic equipment products will be CE marked as required by Directive 2011/65/EU. Components may not be CE marked. Additionally, the part numbers that TE has identified as EU ELV compliant have a maximum concentration of 0.1% by weight in homogenous materials for lead, hexavalent chromium, and mercury, and 0.01% for cadmium, or qualify for an exemption to these limits as defined in the Annexes of Directive 2000/53/EC (ELV). Regarding the REACH Regulation, the information TE provides on SVHC in articles for this part number is based on the latest European Chemicals Agency (ECHA) 'Guidance on requirements for substances in articles' posted at this URL: <https://echa.europa.eu/guidance-documents/guidance-on-reach>

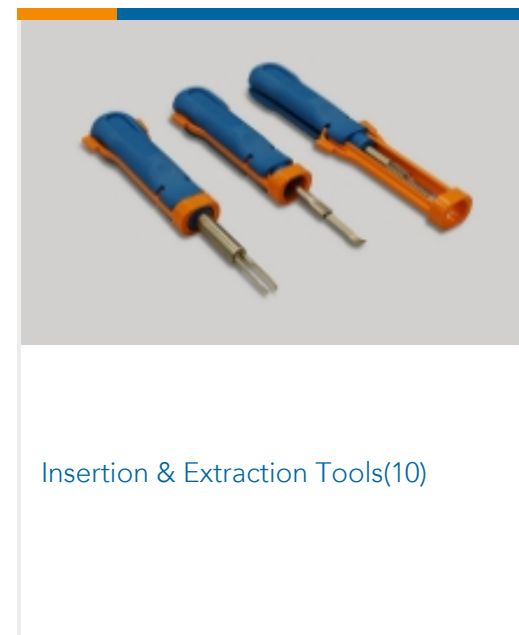
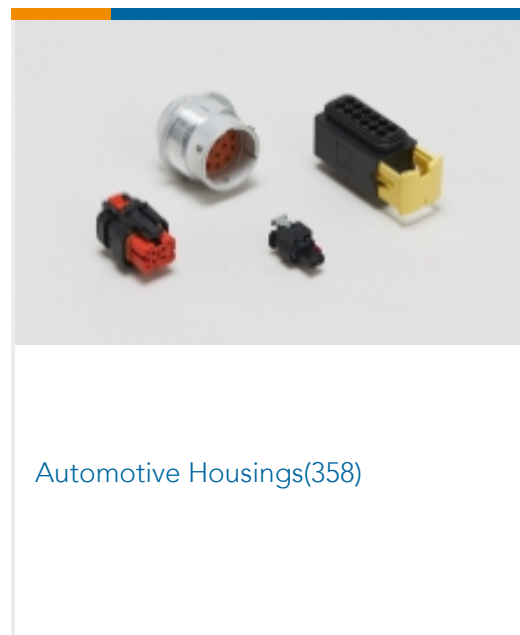
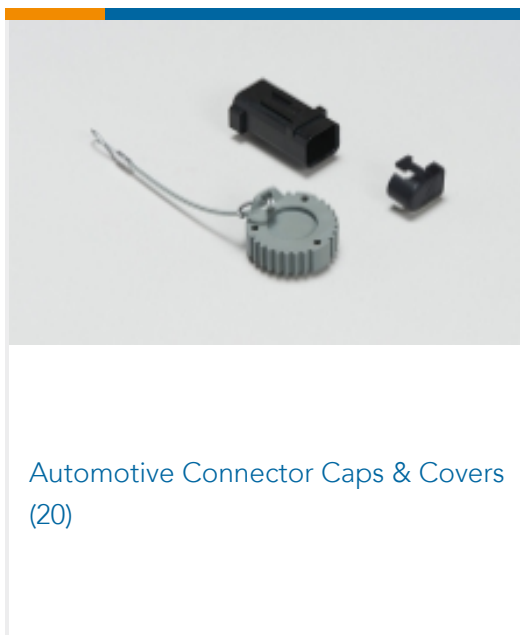
**Compatible Parts**

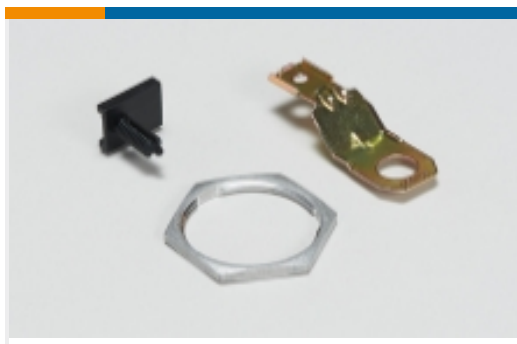


### Also in the Series | DEUTSCH HD



### Also in the Series | DEUTSCH HD30





Other Automotive Connector Accessories(6)

## Customers Also Bought



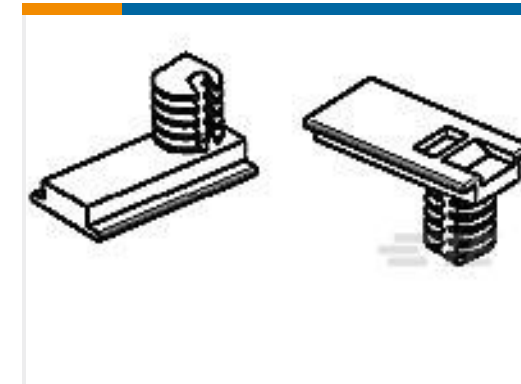
TE Part #WHDS-18-2  
DEUTSCH HD30 Backshells



TE Part #1743350-2  
MT-II/JPT SLD 16P PLUG ASSY



TE Part #1924878-1  
GET, FEMALE TERMINAL, AGSN, TH



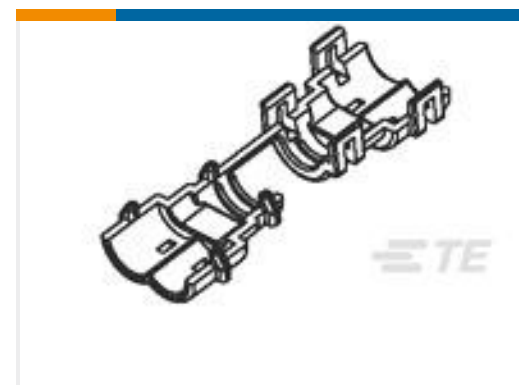
TE Part #493912-1  
CHRISTMAS TREE



TE Part #1801614-4  
4 MINIFUSES CLIPSHUNT (4-6)



TE Part #456428-3  
CRIMPER-WIRE .180 F



TE Part #936311-1  
COVER HSG FOR 090 SLD 2P PLUG



TE Part #1-2334415-3  
050/110 HYB 36P PLUG ASSY GRY



TE Part #5-690482-4  
PLATE, FRONT SHEAR

## Documents

### Product Drawings

[STRAIN RELIEF, HD30, 24SZ, RA](#)

English

### CAD Files

[3D PDF](#)

[3D](#)

### Customer View Model

[ENG\\_CVM\\_CVM\\_WHDS-24-2\\_1A.2d\\_dxf.zip](#)



English

**Customer View Model**

[ENG\\_CVM\\_CVM\\_WHDS-24-2\\_1A.3d\\_igs.zip](#)

English

**Customer View Model**

[ENG\\_CVM\\_CVM\\_WHDS-24-2\\_1A.3d\\_stp.zip](#)

English

By downloading the CAD file I accept and agree to the [Terms and Conditions](#) of use.

---

## Datasheets & Catalog Pages

[CONNECTOR SELECTOR](#)

English

---

## Product Specifications

[Application Specification](#)

English