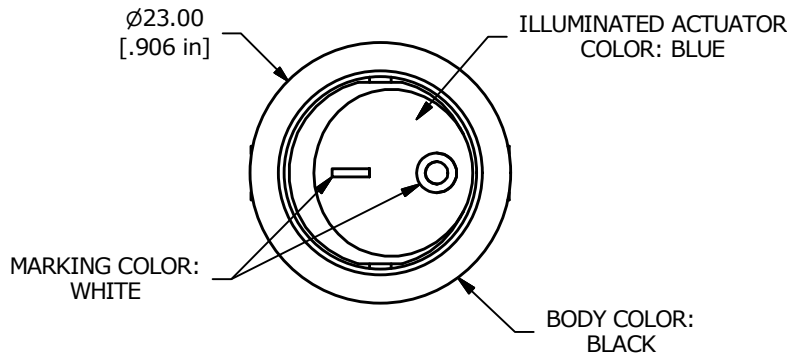


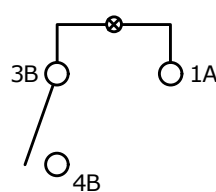
▲ PANEL CUTOUT

PANEL THICKNESS	(X) DIM.
0.75 TO 1.25	20.2mm
1.25 TO 2.00	20.4mm
2.00 TO 3.00	20.6mm



▲ SWITCH FUNCTION

POS. 1	POS. 2
OFF	ON
OPEN	3B-4B

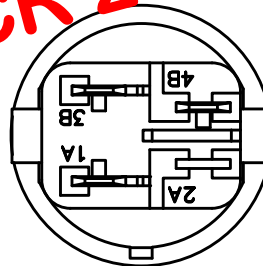
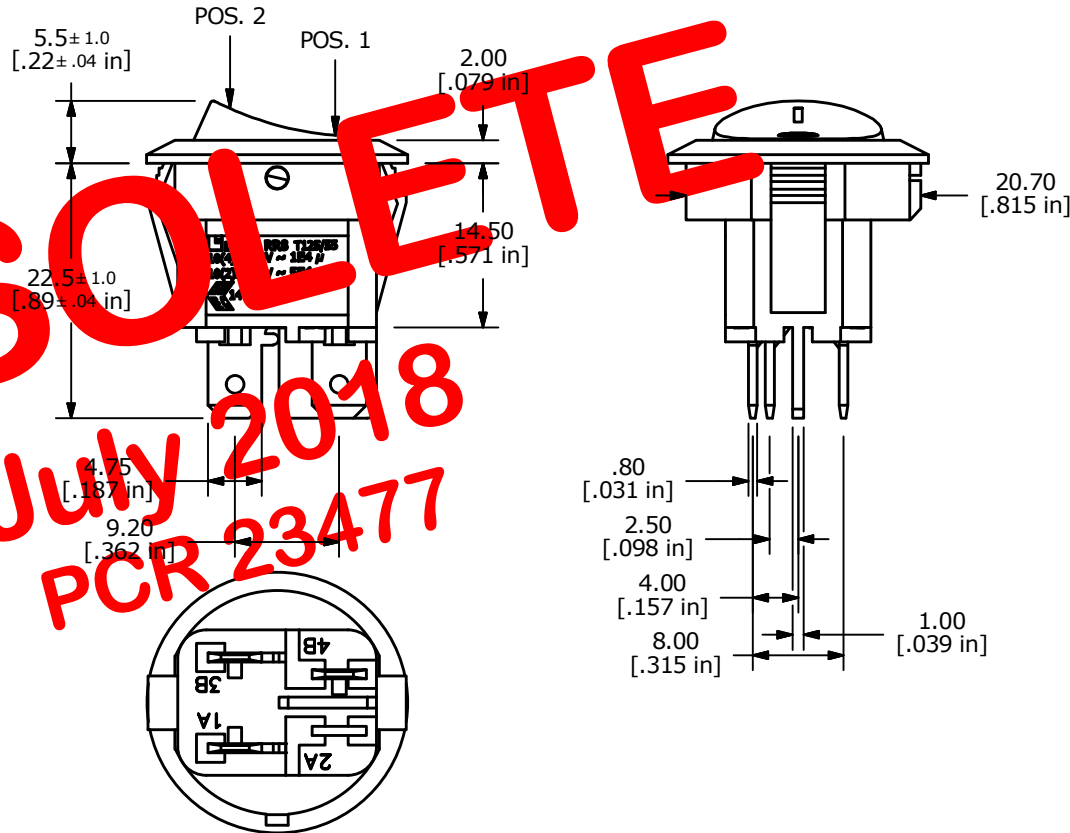


OBSOLETE

July 2018

PCR 23477

- NOTE:
- DIMENSIONS IN MM [INCH]
 - GENERAL TOLERANCE: X.X = ± 0.4
X.XX = ± 0.25
 - TERMINAL NUMBERS FOR REF ONLY
 - CONTACT MATERIAL: SILVER
 - CONTACT RATING: 16A @ 125VAC [UL, cUL]
10A @ 250VAC [UL, cUL]
1/3HP 125/250VAC [UL, cUL]
10(4)A 250V~ μ 1E4 T125/55 [ENEC14]
10(2)A 250V~ μ 5E4 T85/55 [ENEC14]
 - CONTACT RESISTANCE: 35mΩ MAX. @ 50VAC
 - INSULATION RESISTANCE: 100MΩ MIN. @ 500VAC
 - DIELECTRIC STRENGTH: 1,500VAC FOR 1 MINUTE
 - ELECTRICAL LIFE: 6,000 CYCLES [UR, cUR]
10,000 CYCLES [ENEC14: 10(4)A 250V~]
 - OPERATING TEMPERATURE: -20°C TO 105°C [UR, cUR]
-20°C TO 125°C [ENEC14]
 - ▲ DENOTES CRITICAL PARAMETER
 - 2011/65/EU (ROHS) COMPLIANT
 - ▲ LENS COLOR, BLUE
 - ▲ LAMP VOLTAGE, 125V



D	22400	ADDED BOTTOM VIEW	7/20/16	MJR
C	20519	RELEASE FOR PRODUCTION	3/7/12	MM
REV	PCR NO	DESCRIPTION	DATE	BY

TITLE RR811C1021-146				
SCALE	DATE	DR	DWG	REV
3:2	3/7/2012	BGL	38-RR811C1021146	D

THE INFORMATION CONTAINED IN THIS DOCUMENT IS PROPRIETARY TO E-SWITCH AND IS NOT TO BE COPIED OR TRANSFERRED