

Customer Information Sheet

DRAWING No.: M55-800XX42-XXXXA

IF IN DOUBT - ASK

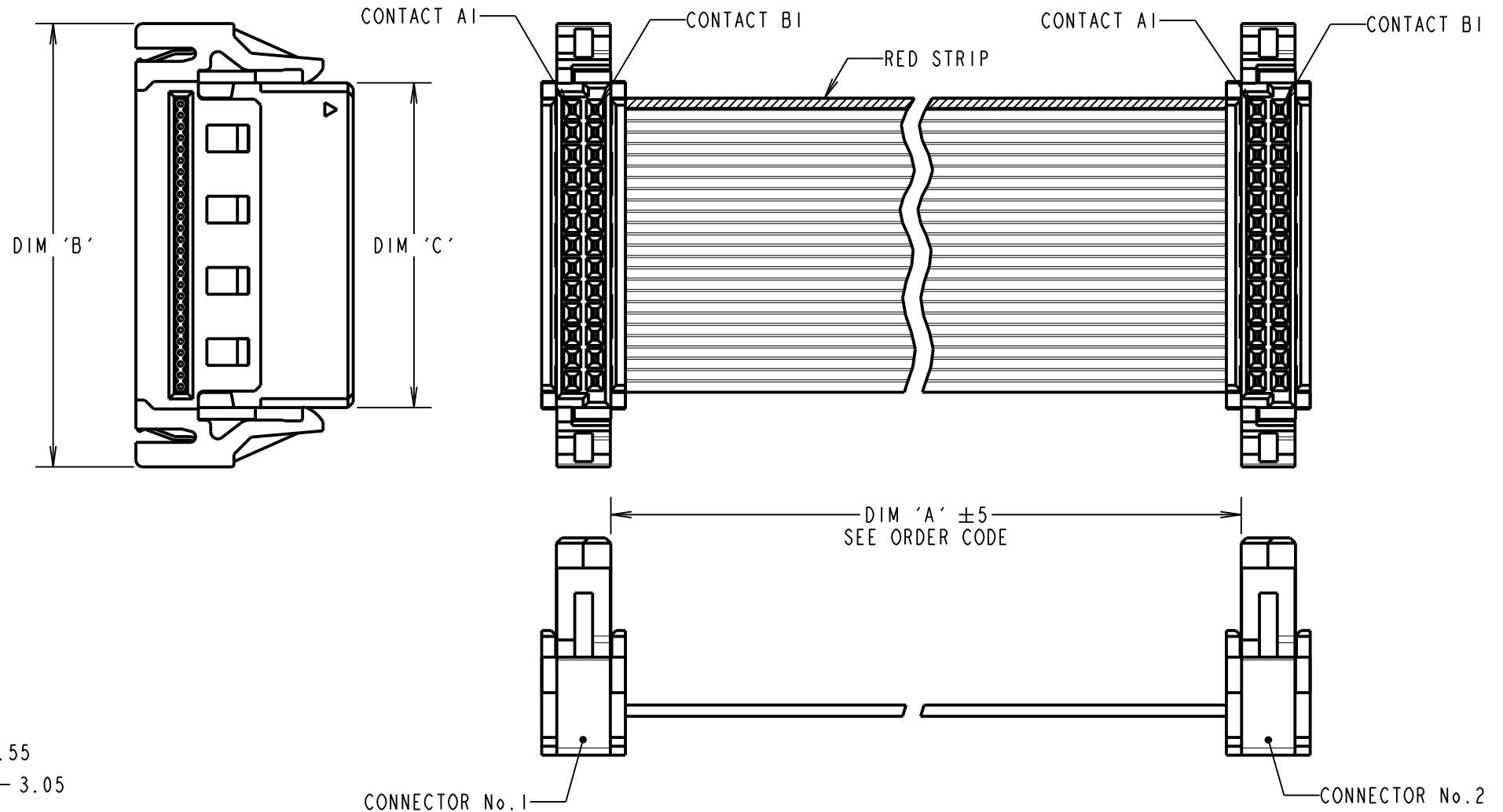
©

NOT TO SCALE

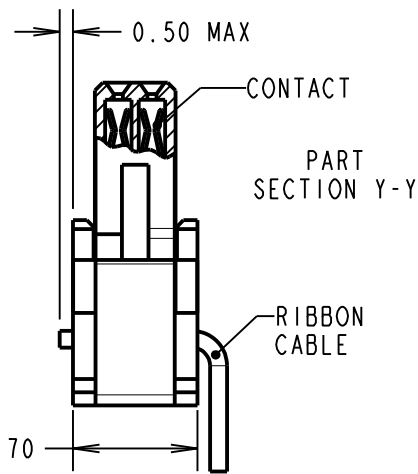
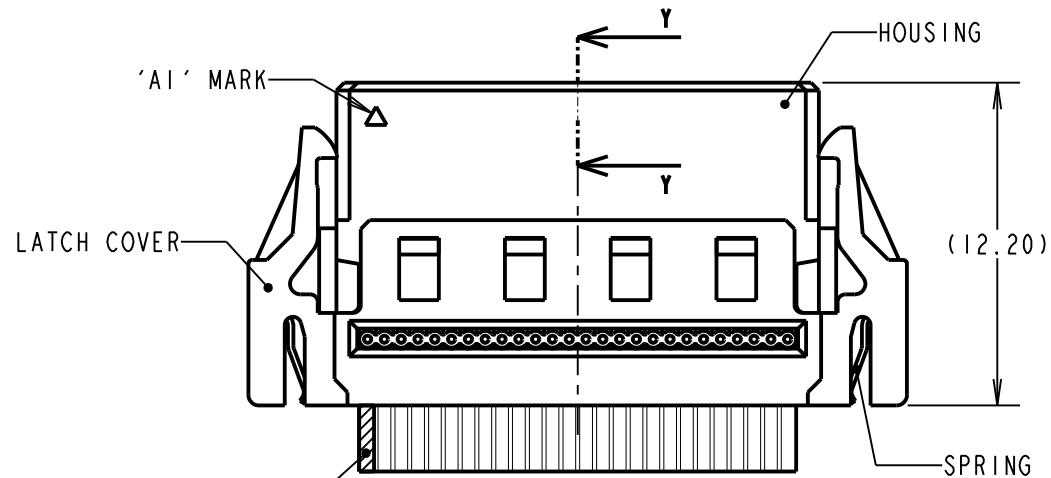
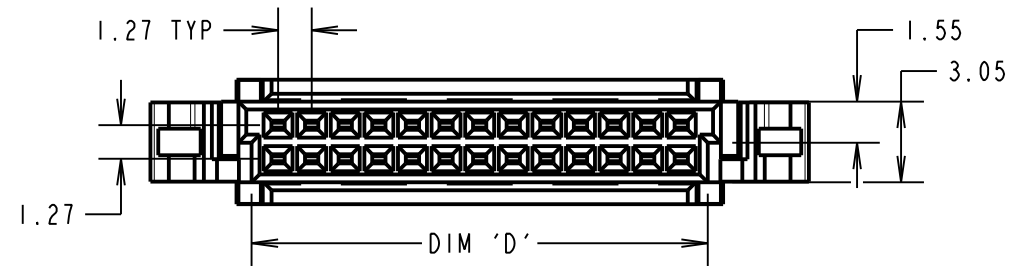
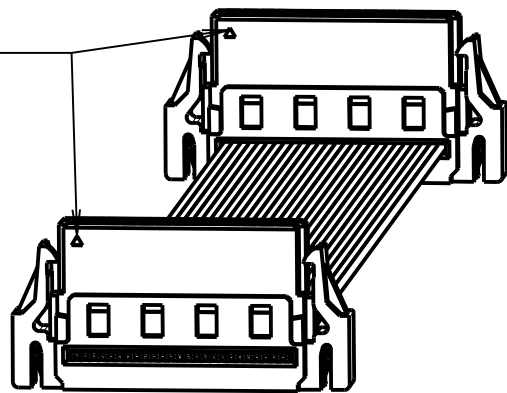
THIRD ANGLE PROJECTION

ALL DIMENSIONS IN mm

No. OF CONTACTS	DIM 'B'	DIM 'C'	DIM 'D'
12	16.00	9.35	8.35
16	18.54	11.89	10.89
20	21.08	14.43	13.43
26	24.89	18.24	17.24
32	28.70	22.05	21.05
40	33.78	27.13	26.13
50	40.13	33.48	32.48
68	51.56	44.91	43.91
80	59.18	52.53	51.53



ORIENTATION OF CONNECTORS ON RIBBON CABLE IS AS SHOWN



ORDER CODE:

M55-800XX42-XXXXA

TOTAL No. OF CONTACTS: 12, 16, 20, 26, 32, 40, 50, 68, 80

DIM 'A' LENGTH: 0150 = 150mm, 0300 = 300mm

FINISH: 42 = GOLD FLASH ON CONTACT AREA, TIN TAILS

- NOTES:
- CABLE ASSEMBLIES ARE PACKED INDIVIDUALLY IN BAGS.
 - FOR COMPLETE SPECIFICATION, SEE COMPONENT SPECIFICATIONS C047XX (LATEST ISSUE).
 - WIRING OF CONNECTOR:
CONTACT A1 TO CONTACT A1
CONTACT B1 TO CONTACT B1 ETC.

MR	1	27.04.20	----
NAME	ISS.	DATE	C/NOTE
APPROVED: M.RUDKIN			
CHECKED: S.BENNETT			
DRAWN: M.RUDKIN			
CUSTOMER REF.:			
ASSEMBLY DRG:			

RED STRIP CONTACT 'B1' (0.635 PITCH RIBBON CABLE)

HARWIN

www.harwin.com
technical@harwin.com

THIS DRAWING AND ANY INFORMATION OR DESCRIPTIVE MATTER SET OUT HEREON ARE CONFIDENTIAL AND COPYRIGHT PROPERTY OF THE HARWIN GROUP AND MUST NOT BE DISCLOSED, LOANED, COPIED OR USED FOR MANUFACTURING, TENDERING OR FOR ANY OTHER PURPOSE WITHOUT THEIR WRITTEN PERMISSION.

TOLERANCES

X. = ±1mm
X.X = ±0.50mm
X.XX = ±0.20mm
X.XXX = ±0.01mm
ANGLES = ±5°
UNLESS STATED

MATERIAL:

SEE ABOVE

FINISH:

SEE ABOVE

S/AREA:

mm²

TITLE:

1.27mm PITCH IDC FEMALE CABLE ASSEMBLY

DRAWING NUMBER:

M55-800XX42-XXXXA

SHT 2 OF 2