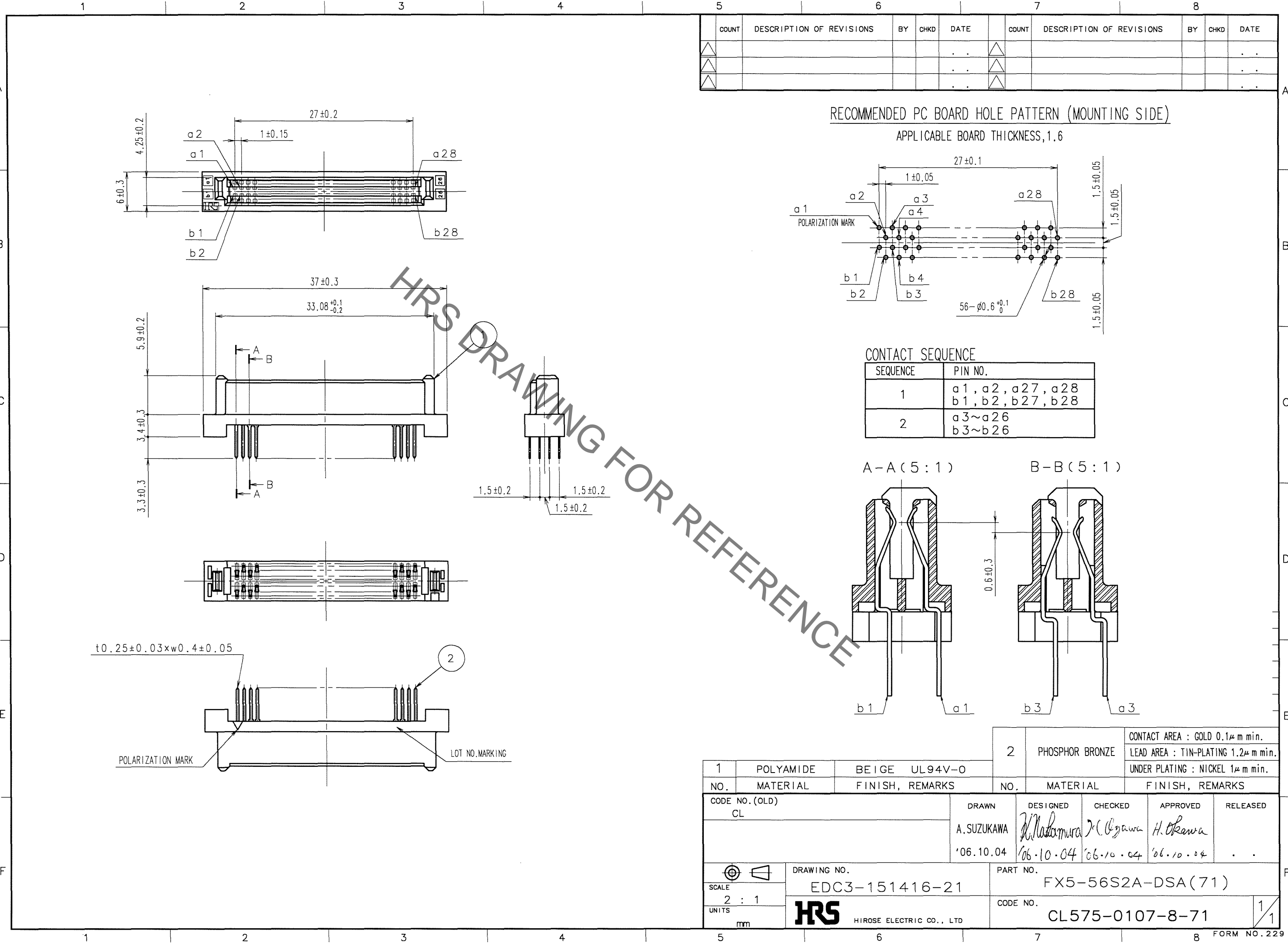
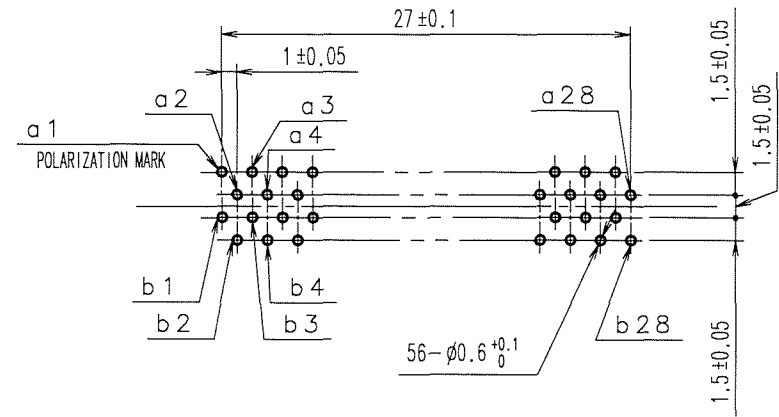


Aug.1.2019 Copyright 2019 HIROSE ELECTRIC CO., LTD. All Rights Reserved.  
In case of consideration for using Automotive equipment / device which demand high reliability, kindly contact our sales window correspondents.



COUNT	DESCRIPTION OF REVISIONS	BY	CHKD	DATE	COUNT	DESCRIPTION OF REVISIONS	BY	CHKD	DATE
△					△				
△					△				
△					△				

RECOMMENDED PC BOARD HOLE PATTERN (MOUNTING SIDE)  
APPLICABLE BOARD THICKNESS, 1.6

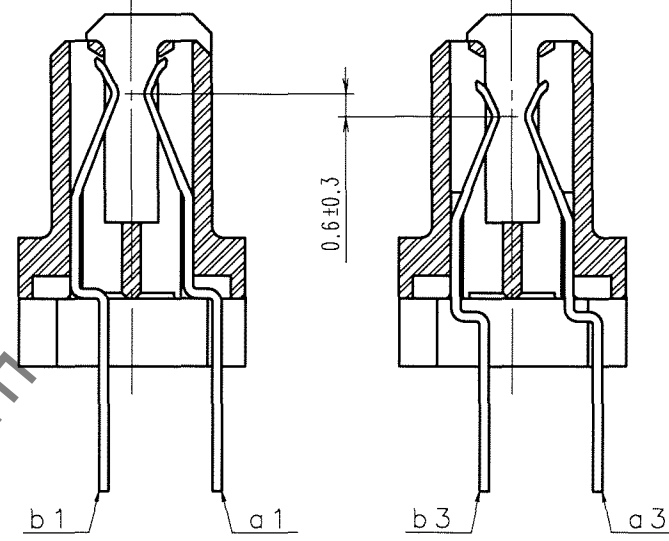


CONTACT SEQUENCE

SEQUENCE	PIN NO.
1	a1, a2, a27, a28 b1, b2, b27, b28
2	a3~a26 b3~b26

A-A (5:1)

B-B (5:1)



1	POLYAMIDE	BEIGE UL94V-0	2	PHOSPHOR BRONZE	CONTACT AREA : GOLD 0.1μm min. LEAD AREA : TIN-PLATING 1.2μm min. UNDER PLATING : NICKEL 1μm min.
NO.	MATERIAL	FINISH, REMARKS	NO.	MATERIAL	FINISH, REMARKS

CODE NO. (OLD)	DRAWN	DESIGNED	CHECKED	APPROVED	RELEASED
CL	A. SUZUKAWA	<i>K. Nakamura</i>	<i>M. Ozawa</i>	<i>H. Okawa</i>	
	'06.10.04	'06.10.04	'06.10.04	'06.10.04	

SCALE	DRAWING NO.	PART NO.
2 : 1	EDC3-151416-21	FX5-56S2A-DSA(71)
UNITS	HIROSE ELECTRIC CO., LTD	CODE NO.
mm	<b>HRS</b>	CL575-0107-8-71

TO