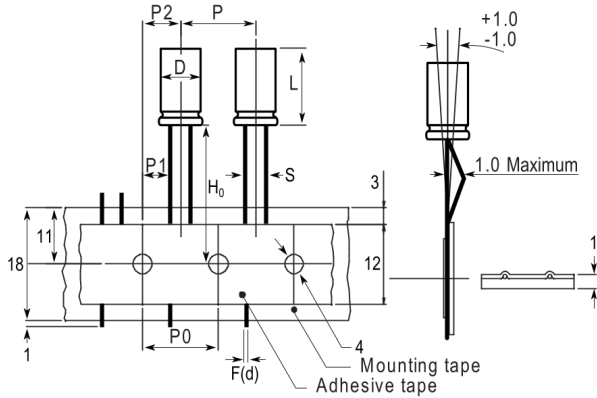


Straight Leads Diameter > 8
Lead and packaging code EA and KA



Note: '()' correspond to the letters used in the product bulletin

Click [here](#) for the 3D model.

Dimensions

D	10mm +/-0.5mm
L	16mm +2.0/-0mm
S	5mm +/-0.5mm
LL Negative	15mm MIN
LL Positive	20mm MIN
F	0.6mm NOM

Packaging Specifications

Packaging	T&R
Packaging Quantity	1200

General Information

Series	ESW
Dielectric	Aluminum Electrolytic
Description	Single Ended Aluminum Electrolytic
RoHS	Yes
Lead	Wire Leads
AEC-Q200	No

Specifications

Capacitance	120 uF
Capacitance Tolerance	20%
Voltage DC	63 VDC, 79 VDC (Surge)
Temperature Range	-40/+105°C
Rated Temperature	105°C
Life	5000 Hrs
Dissipation Factor	9% 120Hz 20C
Resistance	0.31 Ohms (100kHz 20C)
Ripple Current	357 mAmps (100kHz 105C)
Leakage Current	76 uA (2min 20°C)
Impedance Ratio at -25C	2
Impedance Ratio at -40C	3