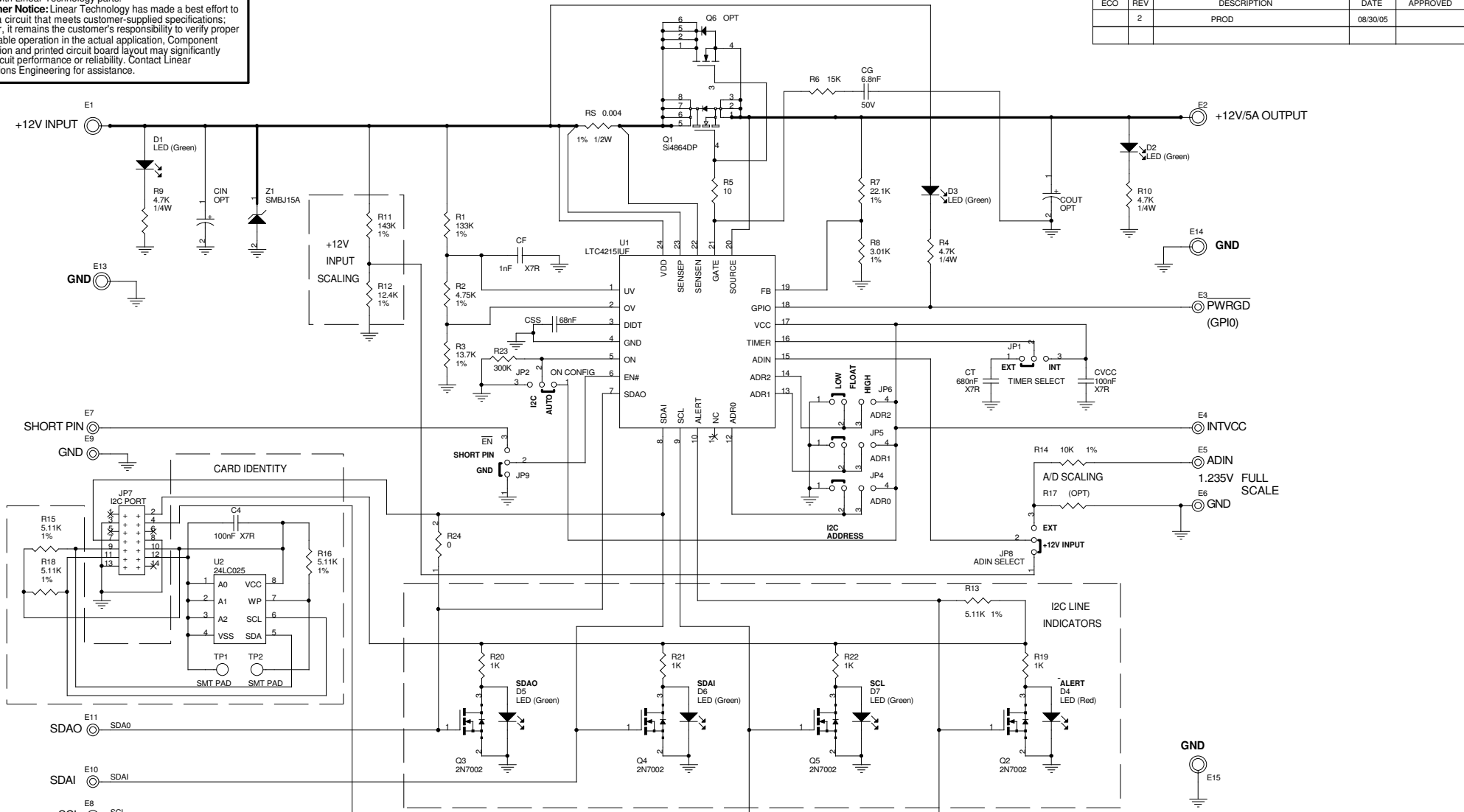


This circuit is proprietary to Linear Technology and supplied for use with Linear Technology parts.
Customer Notice: Linear Technology has made a best effort to design a circuit that meets customer-supplied specifications; however, it remains the customer's responsibility to verify proper and reliable operation in the actual application. Component substitution and printed circuit board layout may significantly affect circuit performance or reliability. Contact Linear Applications Engineering for assistance.

REVISION HISTORY				
ECO	REV	DESCRIPTION	DATE	APPROVED
	2	PROD	08/30/05	



CONTRACT NO.	
APPROVALS	DATE
DRAWN MEI	12/29/04
CHECKED	
APPROVED	
ENGINEER J. SIMONSON	09/12/05
DESIGNER	
Tuesday, December 13, 2005	

1630 McCarthy Blvd.
 Milpitas, CA 95035
 Phone: (408)432-1900
 Fax: (408)434-0907

TITLE SCH, LTC4215IUFE, 60W POSITIVE 12V HOT SWAP CONTROLLER w/CURRENT AND VOLTAGE MONITOR

SIZE	CAGE CODE	DWG NO	REV
Custom		DC874A	2
SCALE: NONE	FILENAME: 874A-2.DSN	SHEET 1	OF 1