

FEATURES

- Able to be used at wide temperature from -25°C to 85°C
- Long life Endurance : 1,000 hours at +85°C
- RoHS directive compliant / No Explosion Safety

APPLICATIONS

- Memory back-up for Video, Audio, Cameras, CCTV, Printer, Camcorder, Telephones, Car stereo, E-meter, Toy, Computer, Notebook PC, Rice cooker, Home network etc .

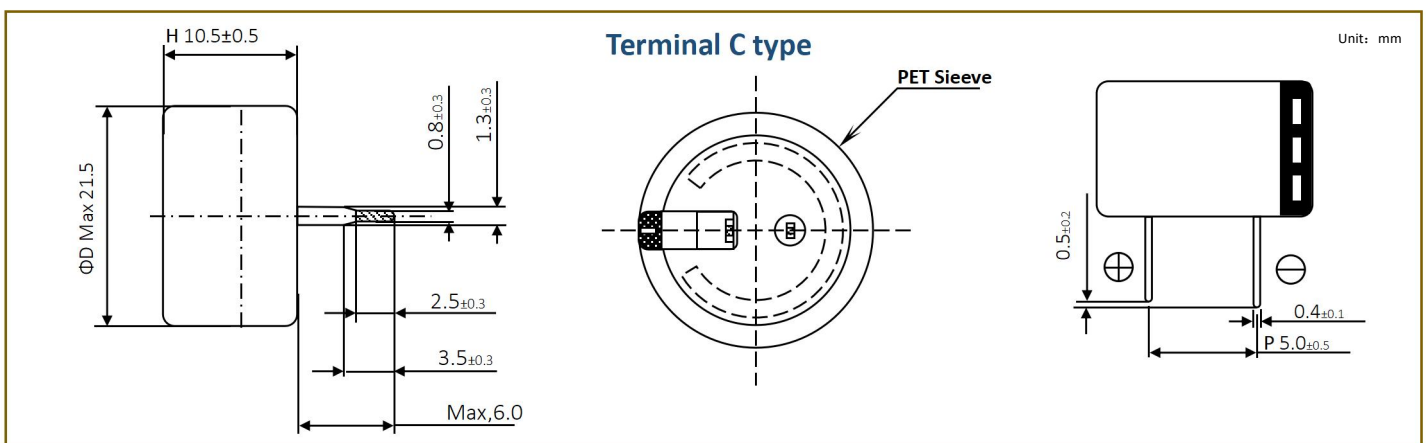


PART NUMBER SYSTEM

CW	5R5	474	C	F	*
Series	Rated Voltage	Capacitance	Type	RoHS	Special Code

GENERAL SPECIFICATIONS / DIMENSIONS

Item	Performance			
Operating temperature	-25°C to +85°C			
Capacitance range	0.47F to 1.0F			
Capacitance tolerance	- 20% to + 80% (at 25°C)			
Rated voltage	5.5 VDC			
Nominal capacitance & Resistance	Nominal capacitance (F)	0.47	0.68	1.0
	Nominal resistance (Ω)	50	50	30
Temperature characteristics	Capacitance change: Within ±50% of initial measured value at +25°C Internal resistance: Within ±500% of initial measured value at +25°C			
Endurance (At rated voltage & max. operating temp)	After 1000 hours: Capacitance change: ±30% of initial rated value Internal resistance: Within 4 times of initial specified value			
Shelf life	After 2 years at 25°C without load, the capacitor shall meet the specified endurance limits.			



STANDARD PRODUCTS

Part Number	Working Voltage (V DC)	Rated Cap. (F)	Internal resistance (Ω) at 1 kHz	C type(mm)		
				ØD	H	P
CW 5R5 474 CF	5.5	0.47	≤50	21.5	10.5	5.0
CW 5R5 684 CF	5.5	0.68	≤50	21.5	10.5	5.0
CW 5R5 105 CF	5.5	1.0	≤30	21.5	10.5	5.0