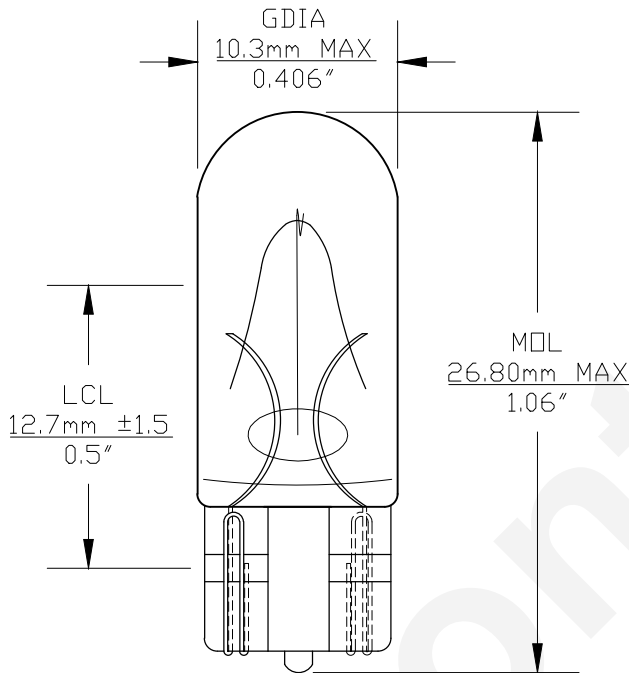
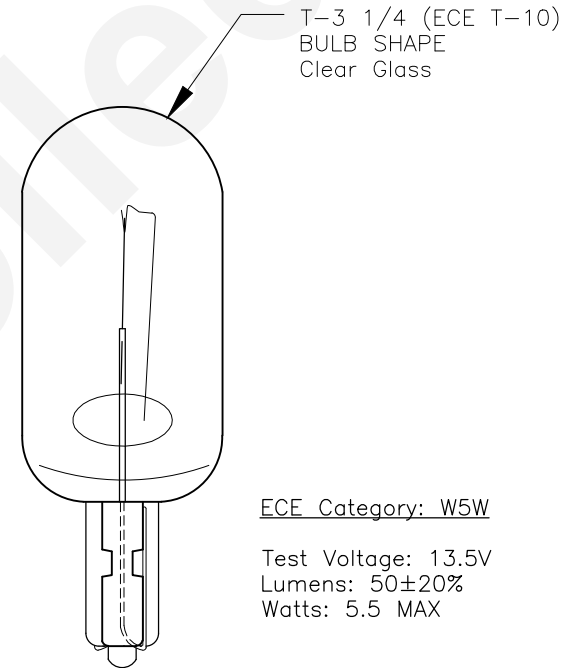




PART NO.	BASE TYPE	DESIGN VOLTS	DESIGN AMPS	MSCD	FILAMENT TYPE	AVERAGE LIFE HOURS	REVISIONS			
							REV #	DESCRIPTION	DATE	APPROVED
2825LL	Glass Wedge T-3 1/4 (W2.1X9.5d)	12.0V	0.40±10%	4.0 ±20%	C-2V	400	1	ISSUED	07/01/2009	D.C.
							2	REDRAWN FOR ADDITIONAL VIEWS	07/01/2014	R.M.



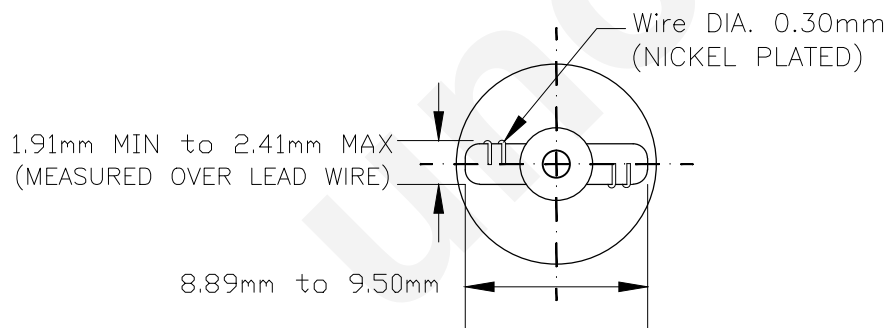
0° VIEW



90° VIEW

ECE Category: W5W

Test Voltage: 13.5V
Lumens: 50±20%
Watts: 5.5 MAX



BASE BOTTOM VIEW



UNLESS OTHERWISE SPECIFIED: DIMENSIONS ARE IN INCHES TOLERANCES		CEC INDUSTRIES LTD			
DECIMALS .XX ± .05		ANGULAR ± 0.5°		599 BOND STREET LINCOLNSHIRE, IL 60069	
.XXX ± .010		FRACTIONAL ± 1/64		TITLE LIGHT BULB NO. 2825LL	
DRAWN D. C.	DATE 07/01/2009	SIZE A	FSCM NO.	DWG NO. 2825LL	REV 1
CHECKED	DESIGN	SCALE	PLOT SCALE	SHEET 1 OF 1	
MATERIAL	FILE 2825LL.pdf	DRAWING NOT TO SCALE			