

LEVER BODY

Glass-fibre reinforced polyamide based (PA) technopolymer, RAL 5001 blue colour, matte finish.

Produced from FDA compliant raw material (FDA CFR.21 and EU 10/2011). The special technopolymer contains additives detectable by means of metal detectors.

Built-in zinc alloy toothed insert for coupling to the metal clamping element.

STANDARD EXECUTIONS

- **ERZ-SST-MD**: AISI 303 stainless steel clamping element with threaded hole and retaining screw. AISI 302 stainless steel return spring.
- **ERZ-SST-p-MD**: AISI 303 stainless steel clamping element with threaded stud and retaining screw. AISI 302 stainless steel return spring. Retaining screw with six-lobed socket to fit TORX®.

FEATURES AND APPLICATIONS

The RAL 5001 blue colour is easily visible in case of accidental food contamination. Furthermore the material additives are metal detectable at a cubic particle size of 5mm per side.

In order to improve the detection, the metal detector calibration must take into account the food/substance type at risk of contamination considering the moisture contained in it.

Particularly suitable for applications in the food and pharmaceutical industries.

Particularly suitable when the lever turning angle is limited owing to lack of space.

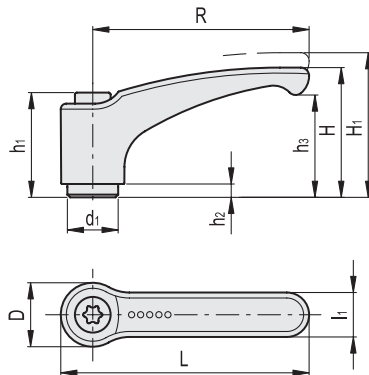
The metal teeth of the built-in zinc alloy insert allow the assembly of clamping elements completely made out of metal, which can be easily modified by machining in case of special assembly requirements.

* Registered trademark by TEXTRON INC.

METRIC

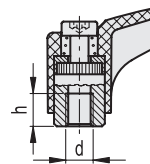


ERGOSTYLE® ELESA Original design

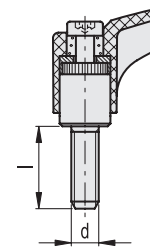


Conversion Table	
1 mm = 0.039 inch	
R	
mm	inch
63	2.48
78	3.07

ERZ-SST-MD



ERZ-SST-p-MD



ERZ-SST-MD

INOX STAINLESS STEEL METRIC

Code	Description	R	d	L	D	H	H1	h	h1	h2	h3	d1	l1	Teeth no.	⚖️
198135	ERZ.63 SST-M6-MD	63	M6	72.5	19	38.5	42	10	31	3.5	30	13.5	13.5	24	36
198155	ERZ.78 SST-M8-MD	78	M8	89.5	23	45	50.5	14	36	3.5	35	16	16	26	61

ERZ-SST-p-MD

INOX STAINLESS STEEL METRIC

Code	Description	R	d	L	D	H	H1	h1	h2	h3	d1	l	l1	Teeth no.	⚖️
198429	ERZ.63 SST-p-M6x16-MD	63	M6	72.5	19	38.5	42	31	3.5	30	13.5	16	13.5	24	40
198433	ERZ.63 SST-p-M6x25-MD	63	M6	72.5	19	38.5	42	31	3.5	30	13.5	25	13.5	24	42
198673	ERZ.78 SST-p-M8x20-MD	78	M8	89.5	23	45	50.5	36	3.5	35	16	20	16	26	69
198679	ERZ.78 SST-p-M8x40-MD	78	M8	89.5	23	45	50.5	36	3.5	35	16	40	16	26	80

Clamping levers