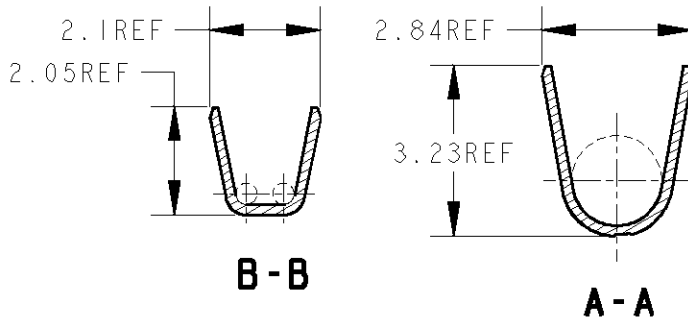
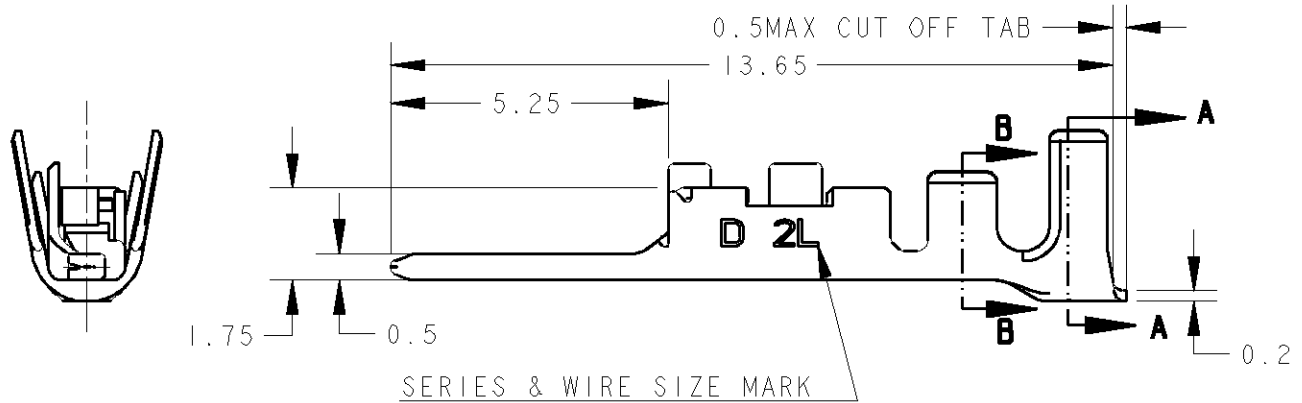
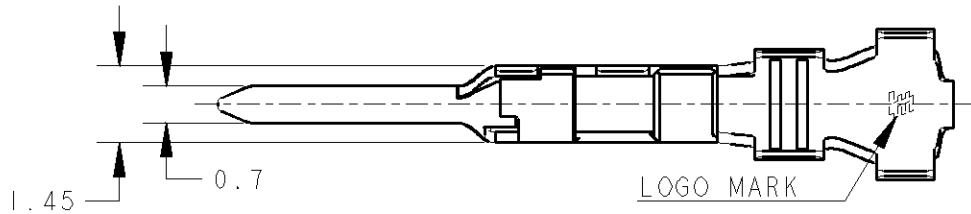


LOC J	DIST	REVISIONS 変更					
		P	LTR	DESCRIPTION	DATE	DWN	APVD
			B	REVISED PER ECR-10-010439	07JUN10	HMR	T.M



1. APPLICATION TAB-HSG IS APPLIED TO THE PRODUCT OF 2.5mm PITCH OR MORE OF DYNAMIC D1000 SERIES. 2.0mm PITCH CANNOT BE USED.
2. THE SHAPE, SIZE AND POSITION OF THE CHARACTER SHOW THE OUTLINE. THEY DON'T SHOW DETAILS.

1. DYNAMIC D1000シリーズの2.5mmピッチ以上のTAB-HSG製品に適用。
 2. 0mmピッチの製品には使用不可。
2. 文字の形状、大きさ、および位置については、大略を示すものであり、詳細を示すものではありません。

AS SHOWN: 1903118-2

⚠ COPPER ALLOY: FINISH; CONTACT AREA Au 0.38μmMIN, OVER Ni 1.27μmMIN ⚠ 銅合金: 下地; 全面ニッケルめっき1.27μm以上, 接点部; 金めっき0.38μm以上	1903118-2
MATERIAL (材料)	PART NO (型番)

WIRE RANGE 総合電線断面積 mm ² 0.34~0.86	AWG#22~#18	INSULATION DIA 被覆外径 φ1.4~φ2.2
--	------------	-------------------------------------

DIMENSIONS:
単位: 耗
mm

TOLERANCES UNLESS OTHERWISE SPECIFIED:
一般公差 ±0.3, ±3°

0 PLC	±
1 PLC	±
2 PLC	±
3 PLC	±
4 PLC	±

ANGLES ±

DWN M. MAEBASHI	11APR2006
CHK T. KUDO	11APR2006
APVD D. MITSUGI	11APR2006
PRODUCT SPEC 製品規格	108-78268
APPLICATION SPEC 取付適用規格	114-5377
WEIGHT	0.086 g
CUSTOMER DRAWING	

MATERIAL 材料	FINISH 仕上	Tyco Electronics Corporation Kawasaki, Japan	
NAME 名称 DYNAMIC D1000 SERIES TAB CONTACT Au, 2L-TYPE L/P			
SIZE A4	CAGE CODE 00779	DRAWING NO 番号 C-1903118	RESTRICTED TO
SCALE 尺度 7:1		SHEET 1	OF 1
		REV B	

2006

RELEASED FOR PUBLICATION

THIS DRAWING IS UNPUBLISHED.

BY TYCO ELECTRONICS CORPORATION. ALL INTERNATIONAL RIGHTS RESERVED.
COPYRIGHT 2006