



*Quality Products. Service Excellence.*

## Low Voltage Solder or Quick Connect Terminals - 2.4 VA to 102 VA

*186-187 Series*

Chassis Mount - 115 & 115/230 V Primary

### Features



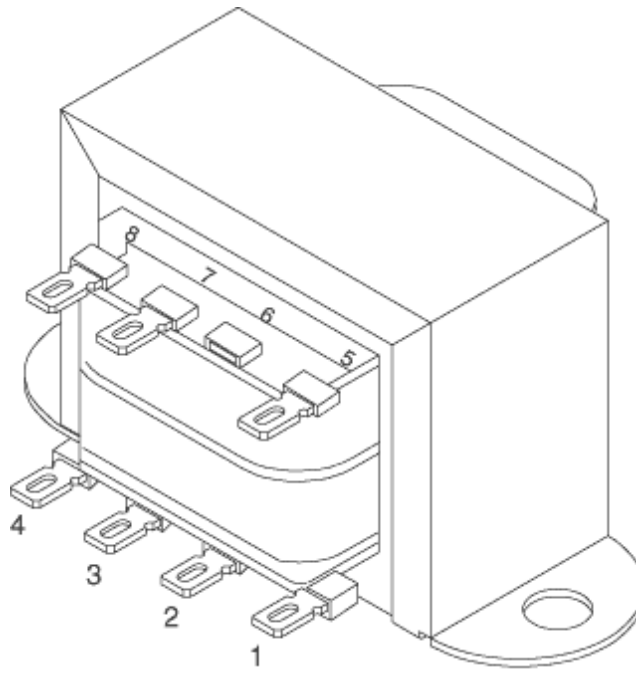
- Choice of two primaries: Single Primary 115VAC (187 series) or Dual Primary 115/230VAC (186 series).
- Either series operates on 50/60 Hz.
- Combination solder or quick connect terminals.
- Split bobbin construction eliminates the need for an electrostatic shield.
- Hi-pot tested to 2 KV RMS.
- Economical open style, channel frame - chassis mount design
- Insulation material - Class B or 130 C
- Lower temperature rise designed not to exceed Class A for longer life.
- UL listed (# E207860) Type 3AH
- CSA Certified



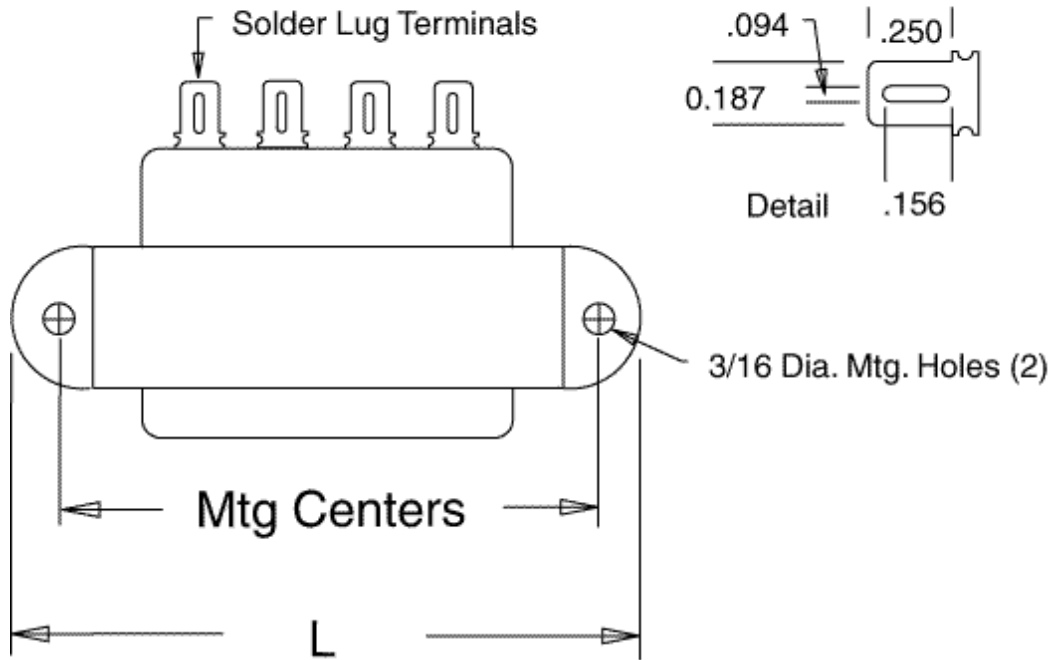
A wiring diagram for this series can be downloaded [here](#).

### Gallery





3/16 (.187) Quick Connect  
or



| Part No.<br>Single Primary<br>115 VAC | Part No.<br>Dual Primary<br>115/230 VAC | Secondary<br>(R.M.S.)<br>VAC | Current<br>(Amps) | VA<br>Rating | Length<br>L | Dimensions                              |             | Mounting<br>Centers<br>D | Depth<br>To Terminal<br>E |
|---------------------------------------|---|------------------------------|-------------------|--------------|-------------|---|-------------|--------------------------|---------------------------|
|                                       |   |                              |                   |              |             | Depth<br>(Not Including Terminals)<br>B | Height<br>C |                          |                           |
| 187A10                                | -                                       | 10V C.T.                     | 0.25              | 2.5          | 2.06        | 1.06                                    | 1.18        | 1.75                     | 1.44                      |
| 187B10                                | 186B10                                  | 10V C.T.                     | 0.6               | 6            | 2.37        | 1.25                                    | 1.37        | 2.00                     | 1.62                      |
| 187C10                                | 186C10                                  | 10V C.T.                     | 1.2               | 12           | 2.81        | 1.37                                    | 1.62        | 2.37                     | 1.73                      |
| 187D10                                | 186D10                                  | 10V C.T.                     | 3                 | 30           | 3.25        | 1.68                                    | 1.93        | 2.81                     | 2.06                      |
| 187E10                                | 186E10                                  | 10V C.T.                     | 5                 | 50           | 3.68        | 1.81                                    | 2.25        | 3.12                     | 2.19                      |
| 187F10                                | 186F10                                  | 10V C.T.                     | 10                | 100          | 4.03        | 2.25                                    | 2.56        | 3.50                     | 2.62                      |
| 187A12                                | -                                       | 12.6V C.T.                   | 0.19              | 2.5          | 2.06        | 1.06                                    | 1.18        | 1.75                     | 1.44                      |
| 187B12                                | 186B12                                  | 12.6V C.T.                   | 0.5               | 6.3          | 2.37        | 1.25                                    | 1.37        | 2.00                     | 1.62                      |
| 187C12                                | 186C12                                  | 12.6V C.T.                   | 1                 | 12.6         | 2.81        | 1.37                                    | 1.62        | 2.37                     | 1.73                      |
| 187D12                                | 186D12                                  | 12.6V C.T.                   | 2.5               | 31.5         | 3.25        | 1.68                                    | 1.93        | 2.81                     | 2.06                      |

| Part No.<br>Single Primary<br>115 VAC | Part No.<br>Dual Primary<br>115/230 VAC | Secondary<br>(R.M.S.)<br>VAC | Current<br>(Amps) | VA<br>Rating | Length<br>L | Dimensions                              |             |                          | Depth<br>To Terminal<br>E |
|---------------------------------------|---|------------------------------|-------------------|--------------|-------------|---|-------------|--------------------------|---------------------------|
|                                       |   |                              |                   |              |             | Depth<br>(Not Including Terminals)<br>B | Height<br>C | Mounting<br>Centers<br>D |                           |
|                                       |   |                              |                   |              |             |   |             |                          |                           |
| 187E12                                | 186E12                                  | 12.6V C.T.                   | 4                 | 50.4         | 3.68        | 1.81                                    | 2.25        | 3.12                     | 2.19                      |
| 187F12                                | 186F12                                  | 12.6V C.T.                   | 8                 | 100.8        | 4.03        | 2.25                                    | 2.56        | 3.50                     | 2.62                      |
| 187A16                                | -                                       | 16V C.T.                     | 0.15              | 2.4          | 2.06        | 1.06                                    | 1.18        | 1.75                     | 1.44                      |
| 187B16                                | 186B16                                  | 16V C.T.                     | 0.4               | 6.4          | 2.37        | 1.25                                    | 1.37        | 2.00                     | 1.62                      |
| 187C16                                | 186C16                                  | 16V C.T.                     | 0.8               | 12.8         | 2.81        | 1.37                                    | 1.62        | 2.37                     | 1.73                      |
| 187D16                                | 186D16                                  | 16V C.T.                     | 2                 | 32           | 3.25        | 1.68                                    | 1.93        | 2.81                     | 2.06                      |
| 187E16                                | 186E16                                  | 16V C.T.                     | 3.5               | 56           | 3.68        | 1.81                                    | 2.25        | 3.12                     | 2.19                      |
| 187F16                                | 186F16                                  | 16V C.T.                     | 6.25              | 100          | 4.03        | 2.25                                    | 2.56        | 3.50                     | 2.62                      |
| 187A20                                | -                                       | 20V C.T.                     | 0.12              | 2.4          | 2.06        | 1.06                                    | 1.18        | 1.75                     | 1.44                      |
| 187B20                                | 186B20                                  | 20V C.T.                     | 0.3               | 6            | 2.37        | 1.25                                    | 1.37        | 2.00                     | 1.62                      |
| 187C20                                | 186C20                                  | 20V C.T.                     | 0.6               | 12           | 2.81        | 1.37                                    | 1.62        | 2.37                     | 1.73                      |
| 187D20                                | 186D20                                  | 20V C.T.                     | 1.5               | 30           | 3.25        | 1.68                                    | 1.93        | 2.81                     | 2.06                      |
| 187E20                                | 186E20                                  | 20V C.T.                     | 2.8               | 56           | 3.68        | 1.81                                    | 2.25        | 3.12                     | 2.19                      |
| 187F20                                | 186F20                                  | 20V C.T.                     | 5                 | 100          | 4.03        | 2.25                                    | 2.56        | 3.50                     | 2.62                      |
| 187A24                                | -                                       | 24V C.T.                     | 0.1               | 2.4          | 2.06        | 1.06                                    | 1.18        | 1.75                     | 1.44                      |
| 187B24                                | 186B24                                  | 24V C.T.                     | 0.25              | 6            | 2.37        | 1.25                                    | 1.37        | 2.00                     | 1.62                      |
| 187C24                                | 186C24                                  | 24V C.T.                     | 0.5               | 12           | 2.81        | 1.37                                    | 1.62        | 2.37                     | 1.73                      |
| 187D24                                | 186D24                                  | 24V C.T.                     | 1.25              | 30           | 3.25        | 1.68                                    | 1.93        | 2.81                     | 2.06                      |
| 187E24                                | 186E24                                  | 24V C.T.                     | 2.4               | 57.6         | 3.68        | 1.81                                    | 2.25        | 3.12                     | 2.19                      |
| 187F24                                | 186F24                                  | 24V C.T.                     | 4                 | 96           | 4.03        | 2.25                                    | 2.56        | 3.50                     | 2.62                      |
| 187A28                                | -                                       | 28V C.T.                     | 0.08              | 2.4          | 2.06        | 1.06                                    | 1.18        | 1.75                     | 1.44                      |
| 187B28                                | 186B28                                  | 28V C.T.                     | 0.2               | 5.6          | 2.37        | 1.25                                    | 1.37        | 2.00                     | 1.62                      |
| 187C28                                | 186C28                                  | 28V C.T.                     | 0.42              | 12           | 2.81        | 1.37                                    | 1.62        | 2.37                     | 1.73                      |
| 187D28                                | 186D28                                  | 28V C.T.                     | 1.07              | 30           | 3.25        | 1.68                                    | 1.93        | 2.81                     | 2.06                      |
| 187E28                                | 186E28                                  | 28V C.T.                     | 2                 | 56           | 3.68        | 1.81                                    | 2.25        | 3.12                     | 2.19                      |
| 187F28                                | 186F28                                  | 28V C.T.                     | 3.57              | 100          | 4.03        | 2.25                                    | 2.56        | 3.50                     | 2.62                      |
| 187A36                                | -                                       | 36V C.T.                     | 0.06              | 2.34         | 2.06        | 1.06                                    | 1.18        | 1.75                     | 1.44                      |
| 187B36                                | 186B36                                  | 36V C.T.                     | 0.17              | 6.12         | 2.37        | 1.25                                    | 1.37        | 2.00                     | 1.62                      |
| 187C36                                | 186C36                                  | 36V C.T.                     | 0.35              | 12.6         | 2.81        | 1.37                                    | 1.62        | 2.37                     | 1.73                      |
| 187D36                                | 186D36                                  | 36V C.T.                     | 0.85              | 30.6         | 3.25        | 1.68                                    | 1.93        | 2.81                     | 2.06                      |
| 187E36                                | 186E36                                  | 36V C.T.                     | 1.5               | 54           | 3.68        | 1.81                                    | 2.25        | 3.12                     | 2.19                      |
| 187F36                                | 186F36                                  | 36V C.T.                     | 2.8               | 100.8        | 4.03        | 2.25                                    | 2.56        | 3.50                     | 2.62                      |
| 187A48                                | -                                       | 48V C.T.                     | 0.05              | 2.4          | 2.06        | 1.06                                    | 1.18        | 1.75                     | 1.44                      |
| 187B48                                | 186B48                                  | 48V C.T.                     | 0.12              | 6            | 2.37        | 1.25                                    | 1.37        | 2.00                     | 1.62                      |
| 187C48                                | 186C48                                  | 48V C.T.                     | 0.25              | 12           | 2.81        | 1.37                                    | 1.62        | 2.37                     | 1.73                      |
| 187D48                                | 186D48                                  | 48V C.T.                     | 0.62              | 30           | 3.25        | 1.68                                    | 1.93        | 2.81                     | 2.06                      |
| 187E48                                | 186E48                                  | 48V C.T.                     | 1.2               | 57.6         | 3.68        | 1.81                                    | 2.25        | 3.12                     | 2.19                      |
| 187F48                                | 186F48                                  | 48V C.T.                     | 2                 | 96           | 4.03        | 2.25                                    | 2.56        | 3.50                     | 2.62                      |
| 187A56                                | -                                       | 56V C.T.                     | 0.04              | 2.5          | 2.06        | 1.06                                    | 1.18        | 1.75                     | 1.44                      |
| 187B56                                | 186B56                                  | 56V C.T.                     | 0.11              | 6.16         | 2.37        | 1.25                                    | 1.37        | 2.00                     | 1.62                      |
| 187C56                                | 186C56                                  | 56V C.T.                     | 0.21              | 12.3         | 2.81        | 1.37                                    | 1.62        | 2.37                     | 1.73                      |
| 187D56                                | 186D56                                  | 56V C.T.                     | 0.53              | 30           | 3.25        | 1.68                                    | 1.93        | 2.81                     | 2.06                      |
| 187E56                                | 186E56                                  | 56V C.T.                     | 1                 | 56           | 3.68        | 1.81                                    | 2.25        | 3.12                     | 2.19                      |
| 187F56                                | 186F56                                  | 56V C.T.                     | 1.8               | 100.8        | 4.03        | 2.25                                    | 2.56        | 3.50                     | 2.62                      |
| 187A120                               | -                                       | 120V C.T.                    | 0.02              | 2.4          | 2.06        | 1.06                                    | 1.18        | 1.75                     | 1.44                      |
| 187B120                               | 186B120                                 | 120V C.T.                    | 0.05              | 6            | 2.37        | 1.25                                    | 1.37        | 2.00                     | 1.62                      |
| 187C120                               | 186C120                                 | 120V C.T.                    | 0.1               | 12           | 2.81        | 1.37                                    | 1.62        | 2.37                     | 1.73                      |
| 187D120                               | 186D120                                 | 120V C.T.                    | 0.25              | 30           | 3.25        | 1.68                                    | 1.93        | 2.81                     | 2.06                      |
| 187E120                               | 186E120                                 | 120V C.T.                    | 0.5               | 60           | 3.68        | 1.81                                    | 2.25        | 3.12                     | 2.19                      |
| 187F120                               | 186F120                                 | 120V C.T.                    | 0.85              | 102          | 4.03        | 2.25                                    | 2.56        | 3.50                     | 2.62                      |

Tags: 3AH

Data subject to change without notice

