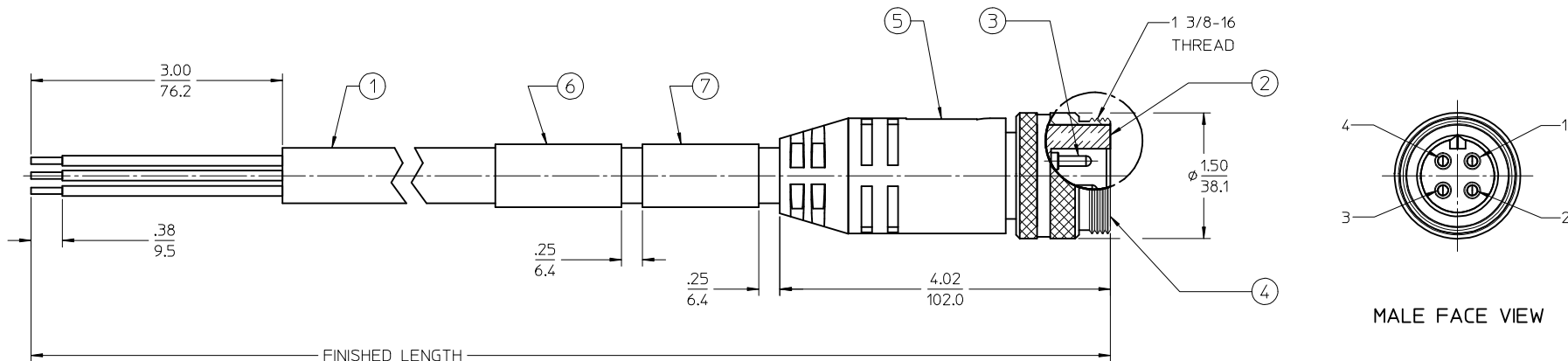


| MATERIAL NO. | ENGINEERING NO. | LENGTH |
|--------------|-----------------|--------|
| 1300633010 | C04006K17M010G | 1M |
| 1300630275 | C04006K17M020G | 2M |
| 1300630268 | C04006K17M030G | 3M |

CABLE LENGTH TOLERANCES
 >.3M [1FT]: +19mm-0 [+1.75in-0]
 .3 - .9M [1 - 3FT]: +44.5mm-0 [+1.75in-0]
 .9 - 1.8M [3 - 6FT]: +55.6mm-0 [+2.19in-0]
 1.8 - 3.7M [6 - 12FT]: +88.9mm-0 [+3.50in-0]
 3.7 - 7.3M [12 - 24FT]: +165.1mm-0 [+6.50in-0]
 7.3-14.6M [24 - 48FT]: +317.5mm-0 [+12.50in-0]
 14.6 - 30.5M [48-100FT]: +622.3mm-0 [+24.50in-0]
 OVER 30M [100FT] +2% OF FINISHED LENGTH



- NOTES:**
- MATERIAL: AS NOTED
 - FINISHES: AS NOTED
 - ELECTRICAL SPECIFICATIONS
 VOLTAGE RATING: 500V PER IEC60664
 600V PER UL2237
 CURRENT RATING: 32 AMPS
 - PROTECTION: IP67 (WHEN MATED)
 - TEMP RANGE: -20°C TO +90°C
 - AGENCY LISTING: E258922
 - DIMS SHOWN ARE FOR REFERENCE UNLESS NOTED OTHERWISE

PART NUMBER LEGEND

C04006K17M001G

CABLE TYPE: 10 AWG TC ER, BLACK

OVERMOLD COLOR: BLACK
 FINISHED LENGTH:
 M001= .1M
 M010= 1.0M
 M100= 10.0M

| | |
|--------------|---|
| BLACK-1 | 1 |
| GREEN/YELLOW | 2 |
| BLACK-3 | 3 |
| BLACK-2 | 4 |

WIRING DIAGRAM

| ITEM | QTY. | DESCRIPTION | MATERIAL | FINISH |
|------|------|--------------------------------|------------|---------------|
| 7 | 1 | WARNING LABEL | VINYL | ORANGE/BLACK |
| 6 | 1 | WRAP LABEL | VINYL | BLACK/YELLOW |
| 5 | 1 | OVERMOLD | PVC | BLACK |
| 4 | 1 | COUPLING, MALE | ALUMINUM | CLEAR ANODIZE |
| 3 | 4 | CONTACT PIN | Cu ALLOY | GOLD PLATED |
| 2 | 1 | INSERT | PVC | BLACK |
| 1 | 1 | CABLE, 10/4 TC-ER (SEE NOTE 5) | TPE JACKET | BLACK |

| REV | DESCRIPTION | DATE |
|-----|---|------------|
| B1 | UPDATE NOTES, ADD TABLE P/N & LENGTH TOLS | 2017/05/24 |
| | DRWINRSTONE | 2017/04/14 |
| | CHKD:M ZIELNSKI | 2017/04/28 |
| | APPR: BWOODMAN | 2017/05/24 |

| QUALITY SYMBOLS | GENERAL TOLERANCES (UNLESS SPECIFIED) |
|-----------------|--|
| ▽=0 | 4 PLACES ± --- ± --- |
| ▽=0 | 3 PLACES ± --- ± --- |
| | 2 PLACES ± --- ± --- |
| | 1 PLACE ± --- ± --- |
| | 0 PLACE ± --- ± --- |
| | ANGULAR ± --- ° |
| | DRAFT WHERE APPLICABLE MUST REMAIN WITHIN DIMENSIONS |

| DIMENSION STYLE | SCALE | DESIGN UNITS |
|-----------------|---------------|--|
| IN/MM | 1:1 | INCH |
| DRAWN BY | DATE | TITLE |
| RSTONE | 2016/01/29 | QUICK CHANGE 4 POLE MALE STRAIGHT 10/4 TPE BLACK |
| CHECKED BY | DATE | |
| APPROVED BY | DATE | |
| BWOODMAN | 2016/03/25 | |
| MATERIAL NO. | DOCUMENT NO. | SHEET NO. |
| - | SD-130063-097 | 1 OF 1 |

| THIRD ANGLE PROJECTION |
|---|
| THIS DRAWING CONTAINS INFORMATION THAT IS PROPRIETARY TO MOLEX INCORPORATED AND SHOULD NOT BE USED WITHOUT WRITTEN PERMISSION |