

# PART No. MATRIX

**E 6 6 E 0 6 0 2 1 M X X X X**

E=ETHERNET/  
Ethernet

HEADS:  
6 = RJ45

WIRING TYPE:  
E=8 Pole (STRAIGHT WIRED)

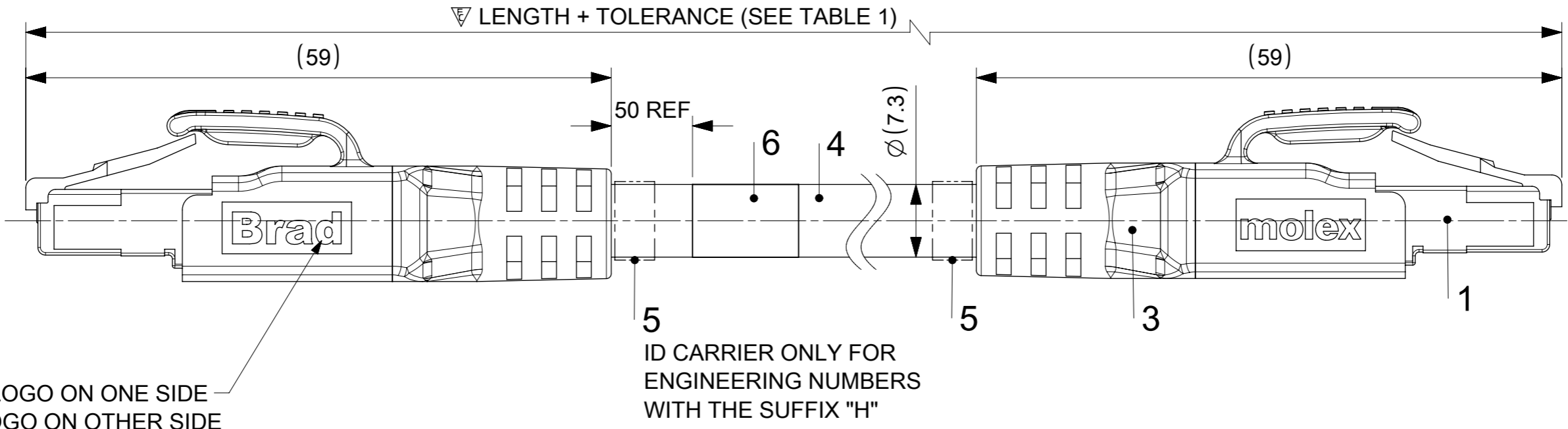
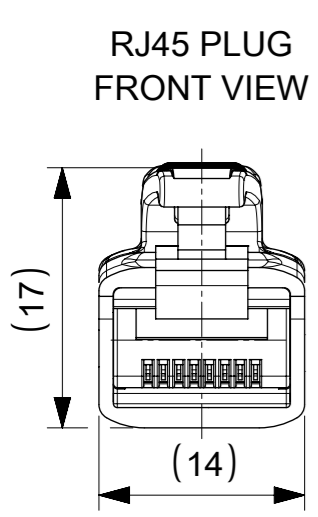
HEADS STYLE:  
060 = MALE STR / MALE STR

CABLE TYPE :  
CABLE 21

UNITS:  
M= METER  
T= 10xMETER

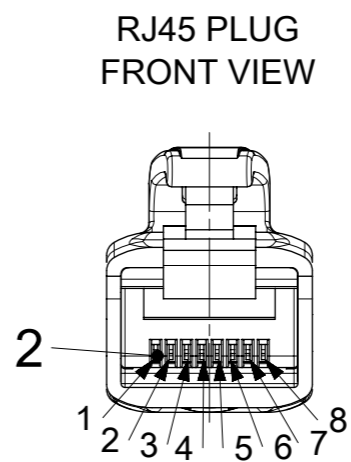
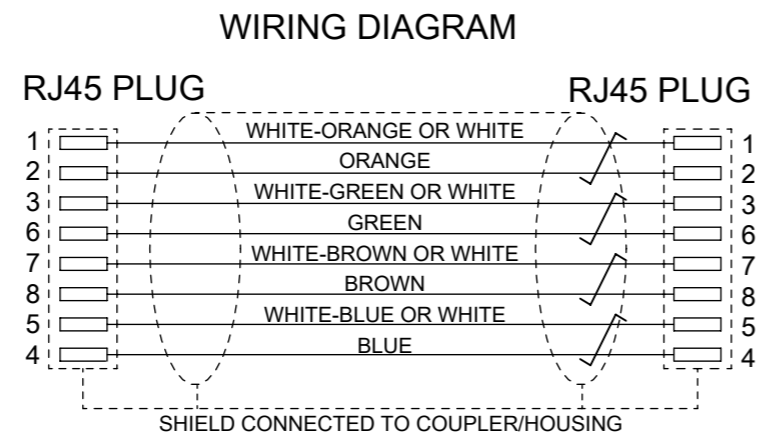
LENGTH EXAMPLES:  
005=0.5 m  
010=1 m  
150=15 m  
T100=100 m

H= 2 PCS. OF I/D Carrier



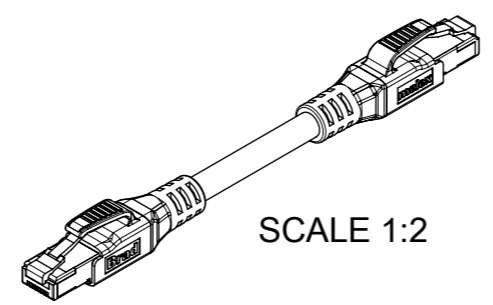
MOLEX LOGO ON ONE SIDE  
BRAD LOGO ON OTHER SIDE

ID CARRIER ONLY FOR  
ENGINEERING NUMBERS  
WITH THE SUFFIX "H"



## BILL OF MATERIAL

ITEM	QTY	DESCRIPTION	MATERIAL	FINISH/COLOR
1	2	PLUG RJ45 PLUG	-	-
2	16	CONTACT RJ45	PHOSPHOR BRONZE	SELECTIVE Au PLATING
3	-	OVERMOLD	TPU	BLACK
4	1	CABLE 4X(2X AWG26/7) CAT 7	TPE	GREEN
5	SEE PN MATRIX	ID CARRIER	PVC	TRANSPARENT
6	1	LABEL 2.0X1.75	VINYL	YELLOW



FUNCTIONAL SYMBOLS	THIS DRAWING CONTAINS INFORMATION THAT IS PROPRIETARY TO MOLEX ELECTRONIC TECHNOLOGIES, LLC AND SHOULD NOT BE USED WITHOUT WRITTEN PERMISSION	CURRENT REV DESC: NOTE CHANGED						
	<table border="1"> <tr> <th>DIMENSION UNITS</th> <th>SCALE</th> </tr> <tr> <td>mm</td> <td>2:1</td> </tr> </table>	DIMENSION UNITS	SCALE					mm
DIMENSION UNITS	SCALE							
mm	2:1							
DIVISIONAL SYMBOLS	ANGULAR TOL ± 1.0°	4 PLACES ±	EC NO: 692351	2022/01/20				
	3 PLACES ±	2 PLACES ± 0.05	DRWN: ARPITT	2022/01/25				
1 PLACE ± 0.3		0 PLACES ± 0.5	CHK'D: RSILLER	2022/01/25				
DRAFT WHERE APPLICABLE MUST REMAIN WITHIN DIMENSIONS		THIRD ANGLE PROJECTION	APPR: RSILLER	2021/03/16				
DRAWING		SERIES	MATERIAL NUMBER	CUSTOMER	SHEET NUMBER			
A3-SIZE		120341	SEE TABLE 1	GENERAL MARKET	1 OF 2			

TABLE 1

MOLEX P/N	ENGINEERING NO.	DESCRIPTION	LENGTH (mm)
1203410924	E66E06021M002	RJ45 CAT6A ST/ST TPE GREEN 0.2M	200
1203410925	E66E06021M005	RJ45 CAT6A ST/ST TPE GREEN 0.5M	500
1203410911	E66E06021M010	RJ45 CAT6A ST/ST TPE GREEN 1M	1000
1203410926	E66E06021M020	RJ45 CAT6A ST/ST TPE GREEN 2M	2000
1203410927	E66E06021M030	RJ45 CAT6A ST/ST TPE GREEN 3M	3000
1203410928	E66E06021M040	RJ45 CAT6A ST/ST TPE GREEN 4M	4000
1203410929	E66E06021M050	RJ45 CAT6A ST/ST TPE GREEN 5M	5000
1203410930	E66E06021M100	RJ45 CAT6A ST/ST TPE GREEN 10M	10000
1203410931	E66E06021M150	RJ45 CAT6A ST/ST TPE GREEN 15M	15000
1203410932	E66E06021M200	RJ45 CAT6A ST/ST TPE GREEN 20M	20000
1203410933	E66E06021M300	RJ45 CAT6A ST/ST TPE GREEN 30M	30000
1203410912	E66E06021M360	RJ45 CAT6A ST/ST TPE GREEN 36M	36000
WITH ID CARRIER			
1203410995	E66E06021M010H	RJ45 CAT6A ST/ST TPE GREEN 1M ID	1000
1203410996	E66E06021M020H	RJ45 CAT6A ST/ST TPE GREEN 2M ID	2000
1203411006	E66E06021M030H	RJ45 CAT6A ST/ST TPE GREEN 3M ID	3000
1203411014	E66E06021M050H	RJ45 CAT6A ST/ST TPE GREEN 5M ID	5000
1203410997	E66E06021M100H	RJ45 CAT6A ST/ST TPE GREEN 10M ID	10000
1203410998	E66E06021M250H	RJ45 CAT6A ST/ST TPE GREEN 25M ID	25000
1203411051	E66E06021M040H	RJ45 CAT6A ST/ST TPE GREEN 4M ID	4000
1203411052	E66E06021M060H	RJ45 CAT6A ST/ST TPE GREEN 6M ID	6000
1203411053	E66E06021M070H	RJ45 CAT6A ST/ST TPE GREEN 7M ID	7000
1203411054	E66E06021M080H	RJ45 CAT6A ST/ST TPE GREEN 8M ID	8000
1203411055	E66E06021M120H	RJ45 CAT6A ST/ST TPE GREEN 12M ID	12000
1203411056	E66E06021M150H	RJ45 CAT6A ST/ST TPE GREEN 15M ID	15000
1203411057	E66E06021M200H	RJ45 CAT6A ST/ST TPE GREEN 20M ID	20000
1203411058	E66E06021M300H	RJ45 CAT6A ST/ST TPE GREEN 30M ID	30000
1203411059	E66E06021M350H	RJ45 CAT6A ST/ST TPE GREEN 35M ID	35000
1203411060	E66E06021M400H	RJ45 CAT6A ST/ST TPE GREEN 40M ID	40000
1203411061	E66E06021M450H	RJ45 CAT6A ST/ST TPE GREEN 45M ID	45000
1203411062	E66E06021M500H	RJ45 CAT6A ST/ST TPE GREEN 50M ID	50000
1203411063	E66E06021M550H	RJ45 CAT6A ST/ST TPE GREEN 55M ID	55000
1203411064	E66E06021M600H	RJ45 CAT6A ST/ST TPE GREEN 60M ID	60000
1203411065	E66E06021M650H	RJ45 CAT6A ST/ST TPE GREEN 65M ID	65000
1203411066	E66E06021M700H	RJ45 CAT6A ST/ST TPE GREEN 70M ID	70000
1203411067	E66E06021M750H	RJ45 CAT6A ST/ST TPE GREEN 75M ID	75000
1203411068	E66E06021M800H	RJ45 CAT6A ST/ST TPE GREEN 80M ID	80000
1203411069	E66E06021M850H	RJ45 CAT6A ST/ST TPE GREEN 85M ID	85000

NOTES:

VOLTAGE RATING: 30 V A.C. OR 42 V D.C.

CURRENT RATING: 0.5 A

TEMPERATURE RATING:

STATIC: -40 °C TO 80 °C

DYNAMIC: -25 °C TO 80 °C

IP RATING: IP 20


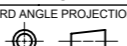
TRANSMISSION CHARACTERISTICS ACCORDING TO ISO/IEC 11801 CLASS E<sub>A</sub> CHANNEL,

WITH INSERTION LOSS BEING IGNORED FOR CABLE LENGTHS <1 m OR >65 m

PACKAGING: CORDSETS ARE PACKED IN A POLYBAG

CABLE LENGTH TOLERANCES

LENGTH	TOLERANCE
0 m - 1 m	+40 mm
>1 m - 5 m	+60 mm
>5 m - 10 m	+80 mm
>10 m - 20 m	+140 mm
>20 m - 30 m	+160 mm
>30 m	+1% length

FUNCTIONAL SYMBOLS √A = 0 √E = 0 √P = 0	THIS DRAWING CONTAINS INFORMATION THAT IS PROPRIETARY TO MOLEX ELECTRONIC TECHNOLOGIES, LLC AND SHOULD NOT BE USED WITHOUT WRITTEN PERMISSION		CURRENT REV DESC: NOTE CHANGED				
	DIMENSION UNITS <b>mm</b>	SCALE <b>1:1</b>	 RJ45 CAT6A ST/ST TPE XM PRODUCT CUSTOMER DRAWING				
GENERAL TOLERANCES (UNLESS SPECIFIED)		EC NO: 692351			2022/01/20		
ANGULAR TOL ± 1.0 °		DRWN: ARPITT			2022/01/25		
4 PLACES ±		CHK'D: RSILLER			2022/01/25		
DIVISIONAL SYMBOLS	3 PLACES ±	APPR: RSILLER	2022/01/25	DOCUMENT NUMBER <b>1203410911</b> DOC TYPE DOC PART REVISION PSD 000 A3			
	2 PLACES ± 0.05	INITIAL REVISION:					
	1 PLACE ± 0.3	DRWN: MDHARMANTI	2019/11/25				
	0 PLACES ± 0.5	APPR: RSILLER	2021/03/16				
DRAFT WHERE APPLICABLE MUST REMAIN WITHIN DIMENSIONS		THIRD ANGLE PROJECTION	DRAWING	SERIES	MATERIAL NUMBER	CUSTOMER	SHEET NUMBER
			<b>A3-SIZE</b>	<b>120341</b>	SEE TABLE 1	GENERAL MARKET	<b>2 OF 2</b>

DOCUMENT STATUS	P1	RELEASE DATE	2022/01/25	10:26:17
-----------------	----	--------------	------------	----------