

(B)  
PART NUMBER LEGEND  
W04001K05M050

FINISHED LENGTH  
M005 = 0.5 METER  
M010 = 1 METER  
M100 = 10 METER

PART NO	ENGINEERING NO.	FINISHED LENGTH
1200790193	W04001K05M010	1M [ 3FT 3 IN ]
1200790184	W04001K05M050	5M [16FT 5 IN]
1200790186	W04001K05M100	10M [32FT 10 IN]

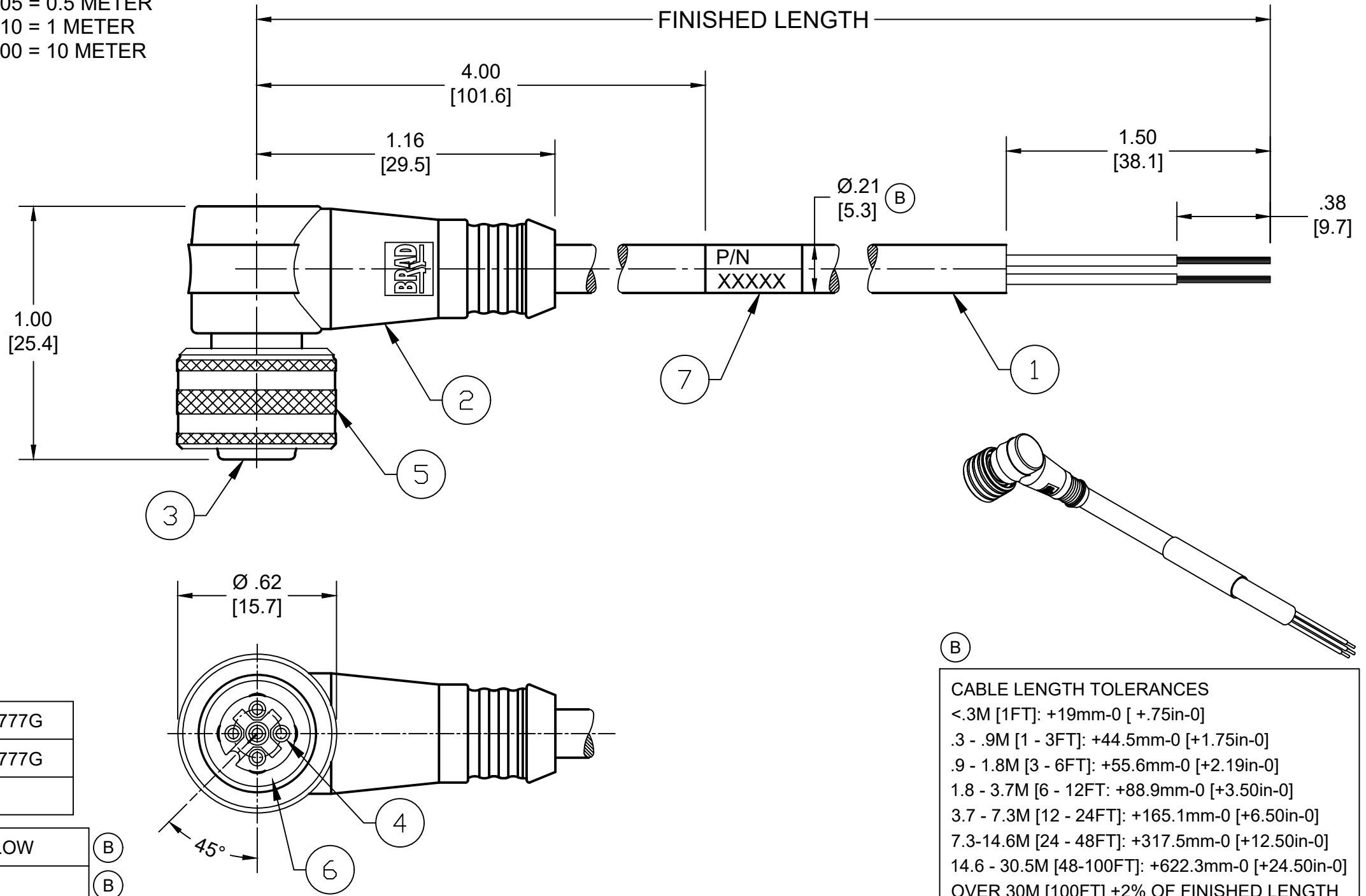
**NOTES:**

- MATERIAL: SEE TABLE
- FINISH: SEE TABLE
- ELECTRICAL:  
VOLTAGE: 250V  
CURRENT: 4A
- TEMP RATING: -20°TO +105°C (B)
- PROTECTION: IP67/69K (WHEN MATED)
- CSA CERTIFIED FILE: LR6837 (B)
- ALL DIMENSIONS ARE FOR REFERENCE UNLESS TOLERANCED OR NOTED OTHERWISE

**MECHANICAL CHARACTERISTICS: (B)**

TORSIONAL FLEX TEST	10 MILLION CYCLES PER MIL-C-13777G
BEND FLEX TEST	10 MILLION CYCLES PER MIL-C-13777G
WELD SLAG RESISTANCE	WOODHEAD STANDARD S-300

ITEM	DESCRIPTION	MATERIAL	FINISH
7	WRAP LABEL	VINYL	BLACK/YELLOW
6	O-RING	VITON	GREEN
5	COUPLER	BRASS	NICKEL PLATED
4	CONTACT SOCKET	COPPER ALLOY	GOLD OVER NICKEL
3	INSERT	PUR	BLACK
2	OVERMOLD	TPC	YELLOW
1	#22/4 CABLE	TPE JACKET	YELLOW



(B)

**CABLE LENGTH TOLERANCES**

<.3M [1FT]:	+19mm-0 [ +.75in-0]
.3 - .9M [ 1 - 3FT]:	+44.5mm-0 [+1.75in-0]
.9 - 1.8M [ 3 - 6FT]:	+55.6mm-0 [+2.19in-0]
1.8 - 3.7M [ 6 - 12FT]:	+88.9mm-0 [+3.50in-0]
3.7 - 7.3M [12 - 24FT]:	+165.1mm-0 [+6.50in-0]
7.3-14.6M [24 - 48FT]:	+317.5mm-0 [+12.50in-0]
14.6 - 30.5M [48-100FT]:	+622.3mm-0 [+24.50in-0]
OVER 30M [100FT]:	+2% OF FINISHED LENGTH

FUNCTIONAL SYMBOLS	DIMENSION UNITS	SCALE	CURRENT REV DESC: ITEM #7 WAS PLASTIC FILM. ADDED ITEM #6CSA NUMBER, MECH CHARAC....CABLE DIA, PN LEGEND & TOL CHART. MODIFIED TEMP RATING & PN TABLE	molex			
$F_A=0$	INCH/MM	NTS	EC NO: 702709	MICRO-CHANGE ULTRA LOCK CORDSET, M12 4-POLE, FEMALE, 90DEG, SINGLE KEY, #22 AWG TPE HI-FLEX			
$F_P=0$	GENERAL TOLERANCES (UNLESS SPECIFIED)		DRWN: ABENJAMINLW 2021/08/30				
$F_P=0$	mm INCH		CHK'D: RSTONE 2022/04/11	PRODUCT CUSTOMER DRAWING			
DIVISIONAL SYMBOLS	4 PLACES ±----		APPR: BWOODMAN 2022/04/16				
	3 PLACES ±----		INITIAL REVISION:	DOCUMENT NUMBER: SD-120079-010 DOC TYPE: PSD DOC PART: 001 REVISION: B			
	2 PLACES ±----		DRWN: TWOLDEGE 2009/07/06				
	1 PLACE ±----		APPR: JFMURPHY 2009/07/20	MATERIAL NUMBER: SEE CHART CUSTOMER: GENERAL MARKET SHEET NUMBER: 1 OF 1			
	0 PLACES ±----		ANGULAR TOL ± --- °				
	DRAFT WHERE APPLICABLE MUST REMAIN WITHIN DIMENSIONS		THIRD ANGLE PROJECTION	DRAWING: A3-SIZE	SERIES: 120079		