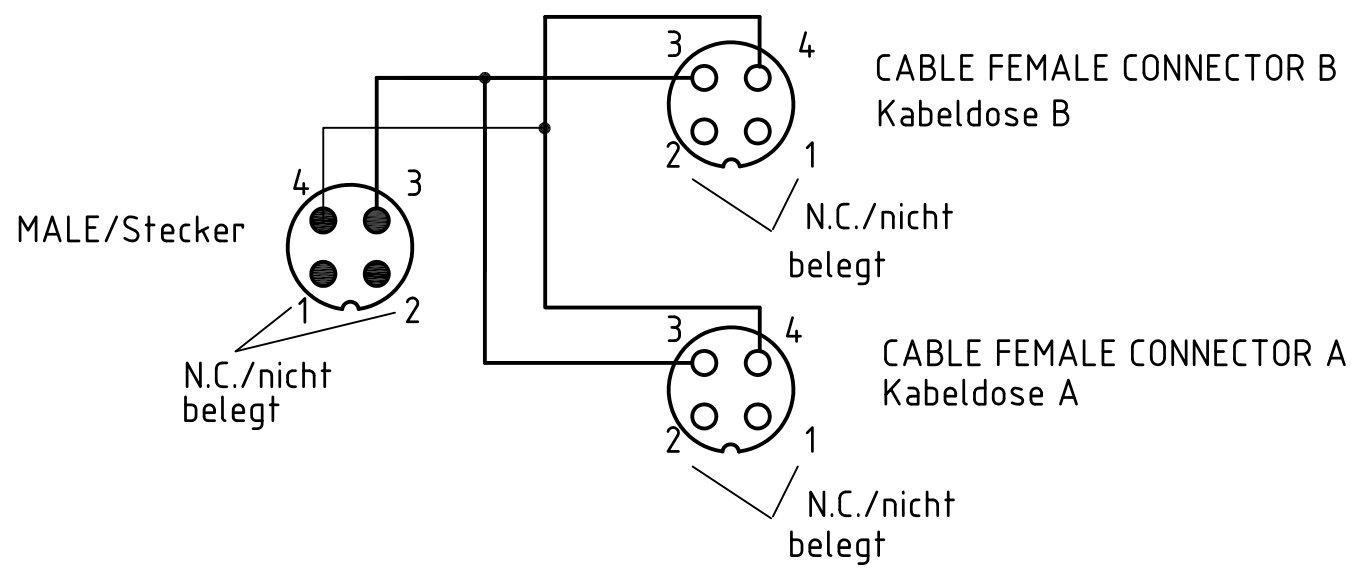
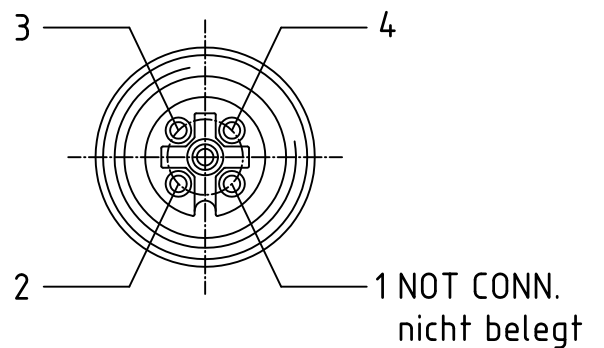
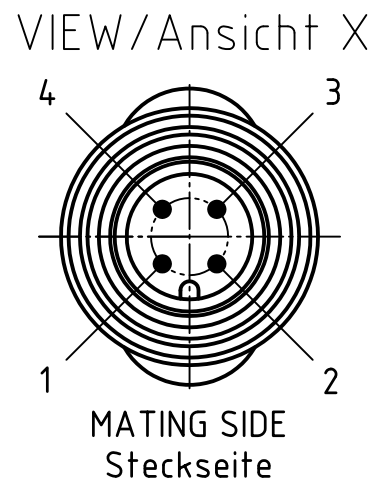
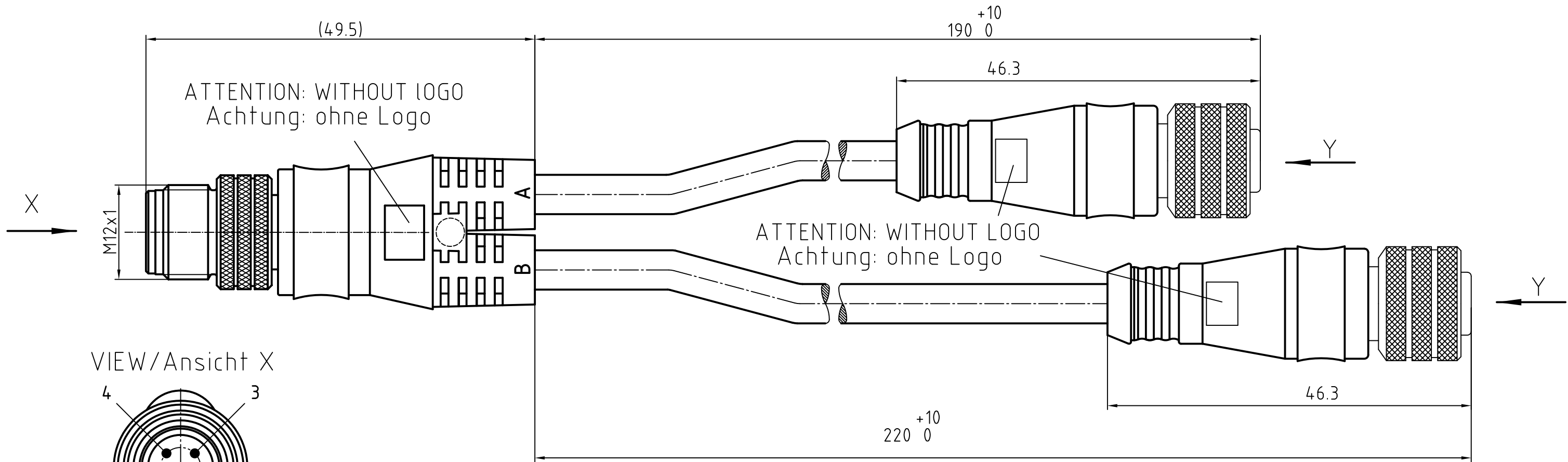


VIEW / Ansicht Y
MATING SIDE
Steckseite

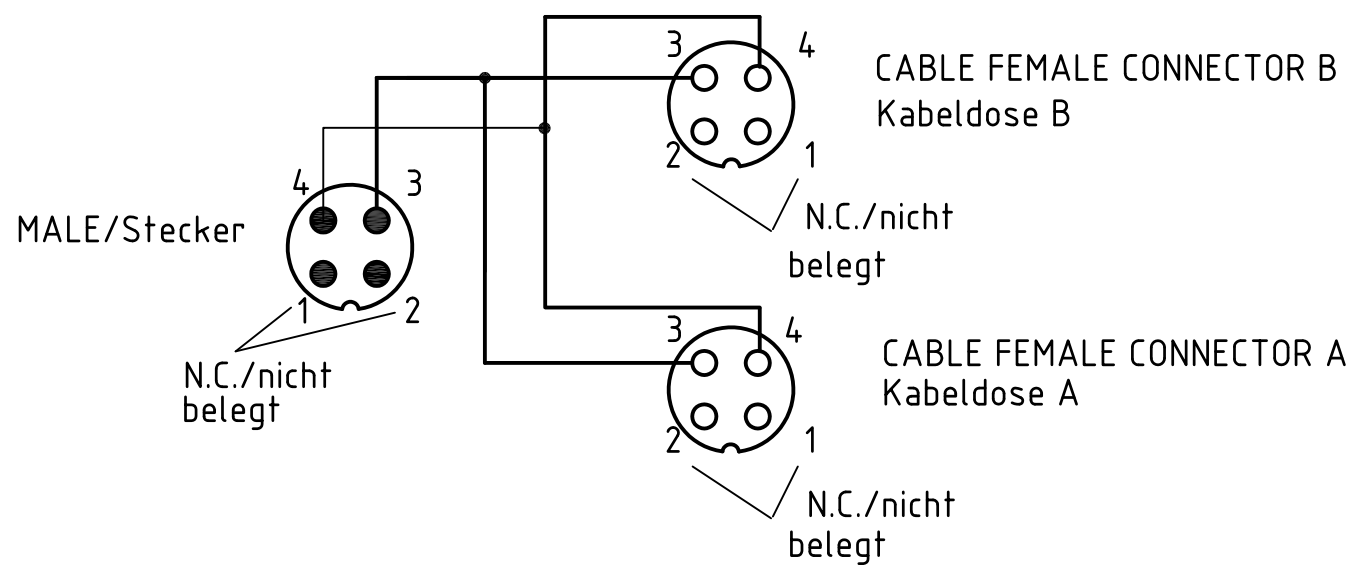
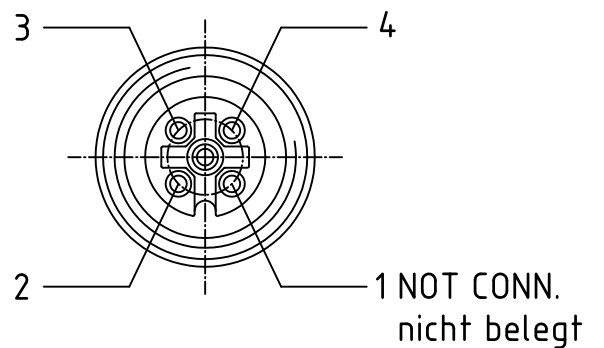


(...) DIM. FOR INFORMATION
(...) Informationsmaß

DESCRIPTION EC NO.: WEU2010-0191 DRWN.: BBRAUCH CHKD.: BB APPR.: REISSNER 25.11.09 2010/03/08	QUALITY SYMBOLS	GENERAL TOLERANCES (UNLESS SPECIFIED)		DIMENSION STYLE		SCALE	DESIGN UNITS	FIRST ANGLE PROJECTION	
	<p>▽ = 0</p> <p>∇ = 0</p>	mm	INCH	MM		2:1	METRIC		
REV 2	4 PLACES	±---	±---	DRAWN BY	DATE	M12-ILS-4P-M12-4P-FE -STR-0.22M+0.19M			
	3 PLACES	±---	±---	LS	2008/08/21				
	2 PLACES	±0.05	±---	CHECKED BY	DATE	MOLEX INCORPORATED			
	1 PLACE	±0.10	±---	BB	2008/08/21				
	ANGULAR ± --- °		APPROVED BY		DATE			SD-0812-04EMF-9620P	
	DRAFT WHERE APPLICABLE MUST REMAIN WITHIN DIMENSIONS		REISSNER		2010/03/08				
	SIZE A3		MATERIAL NO.		1200685058	DOCUMENT NO.		SHEET NO.	
								1 OF 1	
THIS DRAWING CONTAINS INFORMATION THAT IS PROPRIETARY TO MOLEX INCORPORATED AND SHOULD NOT BE USED WITHOUT WRITTEN PERMISSION									



VIEW / Ansicht Y
MATING SIDE
Steckseite



(...) DIM. FOR INFORMATION
(...) Informationsmaß

DESCRIPTION EC NO.: WEU2010-0191 DRWN.: BBRAUCH CHKD.: BB APPR.: REISSNER 25.11.09 2010/03/08	QUALITY SYMBOLS	GENERAL TOLERANCES (UNLESS SPECIFIED)		DIMENSION STYLE		SCALE	DESIGN UNITS	FIRST ANGLE PROJECTION	
	<p>▽ = 0</p> <p>∇ = 0</p>	mm	INCH	MM		2:1	METRIC		
REV 2	4 PLACES	±---	±---	DRAWN BY	DATE	M12-ILS-4P-M12-4P-FE -STR-0.22M+0.19M			
	3 PLACES	±---	±---	LS	2008/08/21				
	2 PLACES	±0.05	±---	CHECKED BY	DATE	MOLEX INCORPORATED			
	1 PLACE	±0.10	±---	BB	2008/08/21				
	ANGULAR ± --- °		APPROVED BY		DATE			SD-0812-04EMF-9620P	
	DRAFT WHERE APPLICABLE MUST REMAIN WITHIN DIMENSIONS		REISSNER		2010/03/08				
			MATERIAL NO.		1200685058	DOCUMENT NO.		SHEET NO.	
			SIZE		A3	THIS DRAWING CONTAINS INFORMATION THAT IS PROPRIETARY TO MOLEX INCORPORATED AND SHOULD NOT BE USED WITHOUT WRITTEN PERMISSION		1 OF 1	