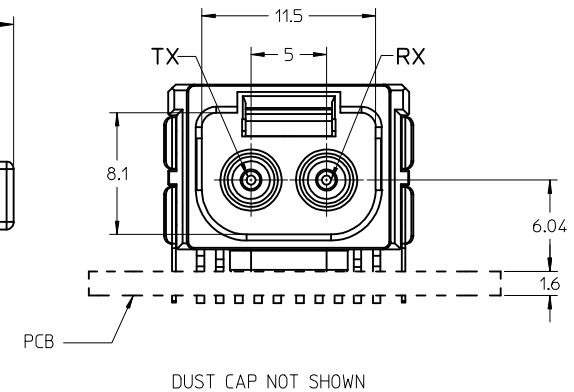
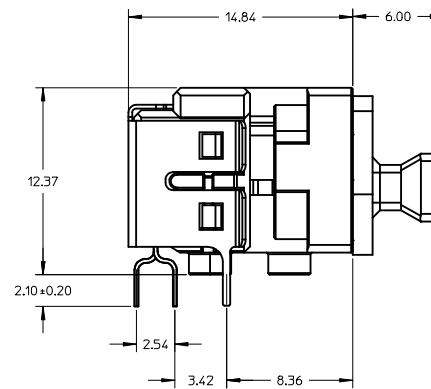
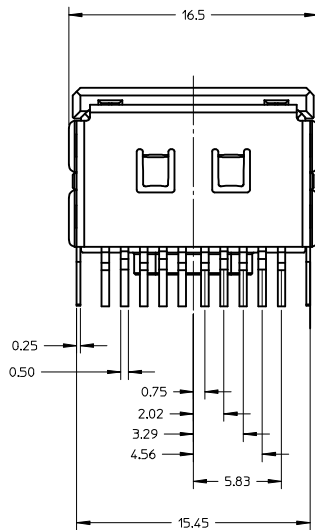
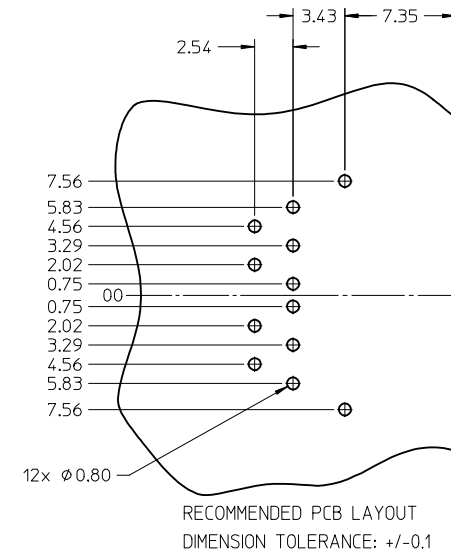
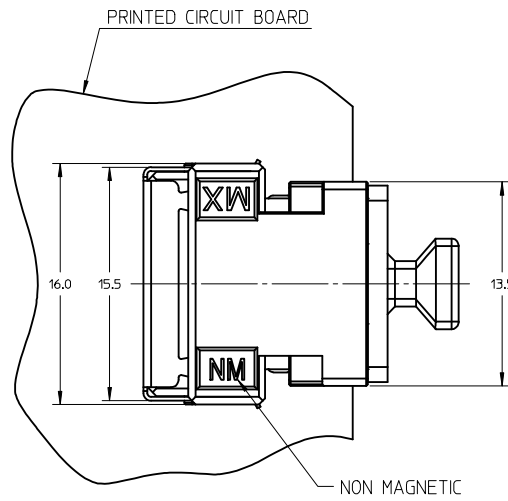
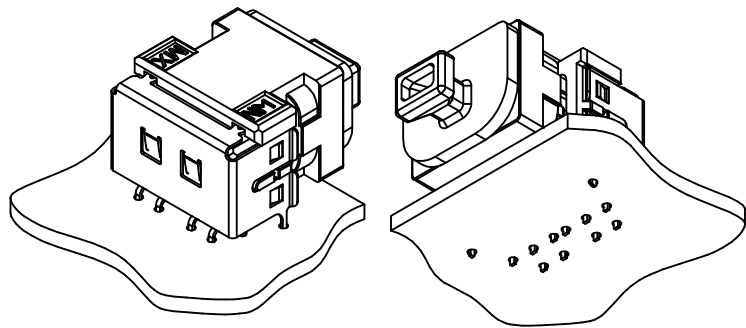


- NOTES:
1. ALL DIMENSIONS ARE FOR REFERENCE ONLY EXCEPT FOR RECOMMENDED PCB LAYOUT.
  2. ATTACHEMENT OF THIS COMPONENT TO THE PCB VIA HOT BAR,LASER OR IR SOLDERING. RE-FLOW OVEN SOLDERING IS NOT APPROVED AT THIS TIME.

<b>ENTER DESCRIPTION</b> EC NO: MF2014-0757 DRWNS:SB0JANIC 2014/06/10 CHKD: APPR:IG/UMIN 2014/07/08 REV: A1	<b>QUALITY SYMBOLS</b> ▽=0 ▽=0	<b>GENERAL TOLERANCES (UNLESS SPECIFIED)</b> <table border="1"> <thead> <tr> <th></th> <th>mm</th> <th>INCH</th> </tr> </thead> <tbody> <tr> <td>4 PLACES</td> <td>± ---</td> <td>± ---</td> </tr> <tr> <td>3 PLACES</td> <td>± ---</td> <td>± ---</td> </tr> <tr> <td>2 PLACES</td> <td>± ---</td> <td>± ---</td> </tr> <tr> <td>1 PLACE</td> <td>± ---</td> <td>± ---</td> </tr> </tbody> </table>		mm	INCH	4 PLACES	± ---	± ---	3 PLACES	± ---	± ---	2 PLACES	± ---	± ---	1 PLACE	± ---	± ---	<b>DIMENSION STYLE</b> <b>MM ONLY</b>	<b>SCALE</b> 4:1	<b>DESIGN UNITS</b> METRIC	THIRD ANGLE PROJECTION
		mm	INCH																		
	4 PLACES	± ---	± ---																		
	3 PLACES	± ---	± ---																		
2 PLACES	± ---	± ---																			
1 PLACE	± ---	± ---																			
<b>DRAFT WHERE APPLICABLE MUST REMAIN WITHIN DIMENSIONS</b>		<b>DRAWN BY</b> SM 12/10/2008	<b>DATE</b> 12/10/2008	<b>TITLE</b> SMI TRANSCEIVER ASSY THROUGH HOLE NON-MAGNETIC																	
		<b>CHECKED BY</b> BA 12/16/2008	<b>DATE</b> 12/16/2008	<b>MOLEX INCORPORATED</b>																	
		<b>APPROVED BY</b> BA	<b>DATE</b>	<b>MATERIAL NO.</b> 1061085500	<b>DOCUMENT NO.</b> SD-106108-5500	<b>SHEET NO.</b> 1 OF 1															
THIS DRAWING CONTAINS INFORMATION THAT IS PROPRIETARY TO MOLEX INCORPORATED AND SHOULD NOT BE USED WITHOUT WRITTEN PERMISSION																					



- NOTES:
1. ALL DIMENSIONS ARE FOR REFERENCE ONLY EXCEPT FOR RECOMMENDED PCB LAYOUT.
  2. ATTACHEMENT OF THIS COMPONENT TO THE PCB VIA HOT BAR,LASER OR IR SOLDERING, RE-FLOW OVEN SOLDERING IS NOT APPROVED AT THIS TIME.

<b>ENTER DESCRIPTION</b> EC NO: MF2014-0757 DRWNS:SB0JANIC 2014/06/10 CHKD: APPR:IGUMIN 2014/07/08 REV: A1	<b>QUALITY SYMBOLS</b> ▽=0 ▽=0	<b>GENERAL TOLERANCES (UNLESS SPECIFIED)</b> <table border="1"> <thead> <tr> <th></th> <th>mm</th> <th>INCH</th> </tr> </thead> <tbody> <tr> <td>4 PLACES</td> <td>± ---</td> <td>± ---</td> </tr> <tr> <td>3 PLACES</td> <td>± ---</td> <td>± ---</td> </tr> <tr> <td>2 PLACES</td> <td>± ---</td> <td>± ---</td> </tr> <tr> <td>1 PLACE</td> <td>± ---</td> <td>± ---</td> </tr> </tbody> </table>		mm	INCH	4 PLACES	± ---	± ---	3 PLACES	± ---	± ---	2 PLACES	± ---	± ---	1 PLACE	± ---	± ---	<b>DIMENSION STYLE</b> <b>MM ONLY</b>	<b>SCALE</b> 4:1	<b>DESIGN UNITS</b> METRIC	THIRD ANGLE PROJECTION
		mm	INCH																		
	4 PLACES	± ---	± ---																		
	3 PLACES	± ---	± ---																		
2 PLACES	± ---	± ---																			
1 PLACE	± ---	± ---																			
<b>DRAFT WHERE APPLICABLE MUST REMAIN WITHIN DIMENSIONS</b>		<b>DRAWN BY</b> SM 12/10/2008	<b>DATE</b> 12/10/2008	<b>TITLE</b> SMI TRANSCEIVER ASSY THROUGH HOLE NON-MAGNETIC																	
		<b>CHECKED BY</b> BA 12/16/2008	<b>DATE</b> 12/16/2008	<b>MOLEX INCORPORATED</b>																	
		<b>APPROVED BY</b> BA	<b>DATE</b>	<b>MATERIAL NO.</b> 1061085500	<b>DOCUMENT NO.</b> SD-106108-5500	<b>SHEET NO.</b> 1 OF 1															
THIS DRAWING CONTAINS INFORMATION THAT IS PROPRIETARY TO MOLEX INCORPORATED AND SHOULD NOT BE USED WITHOUT WRITTEN PERMISSION																					